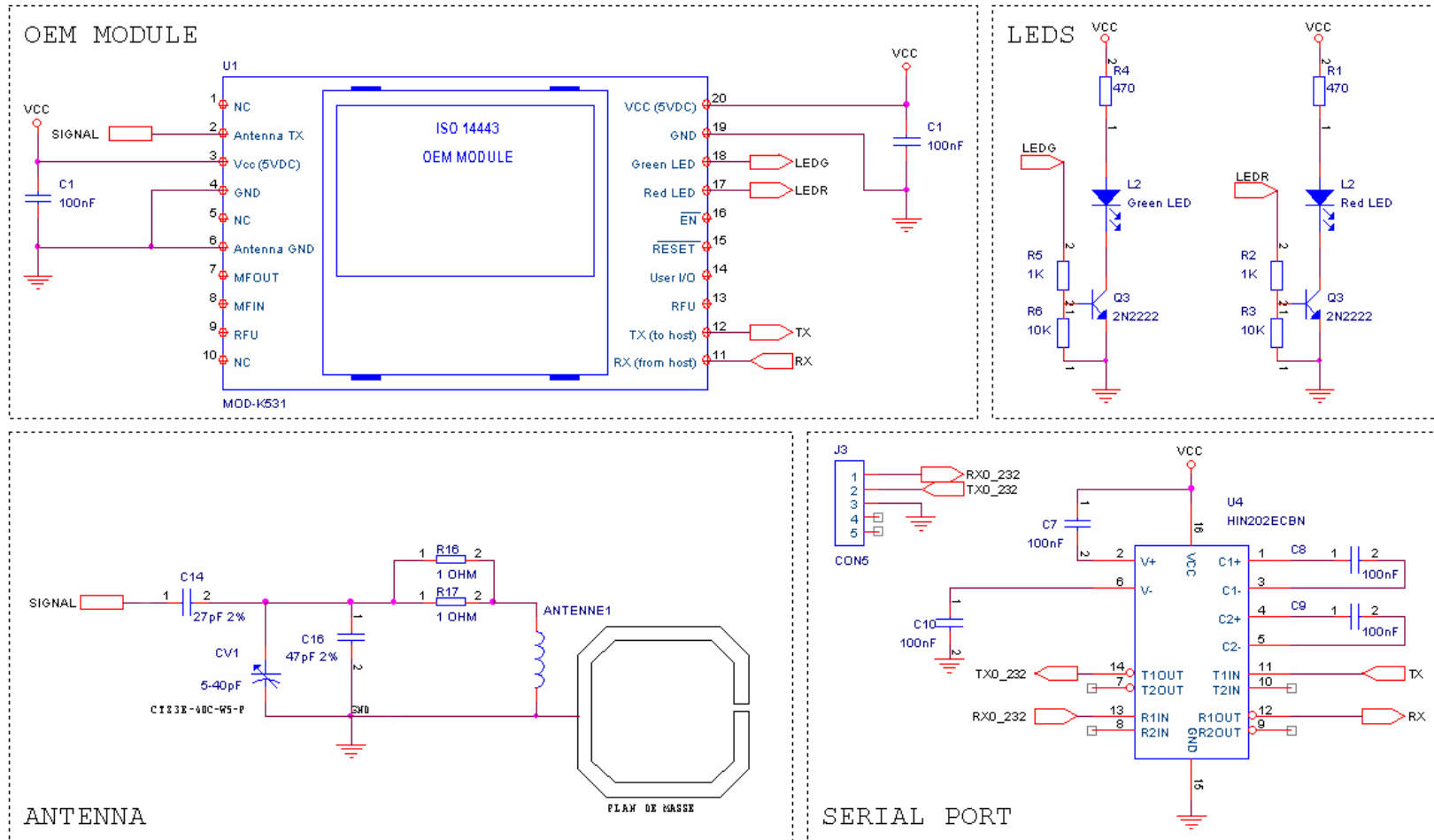


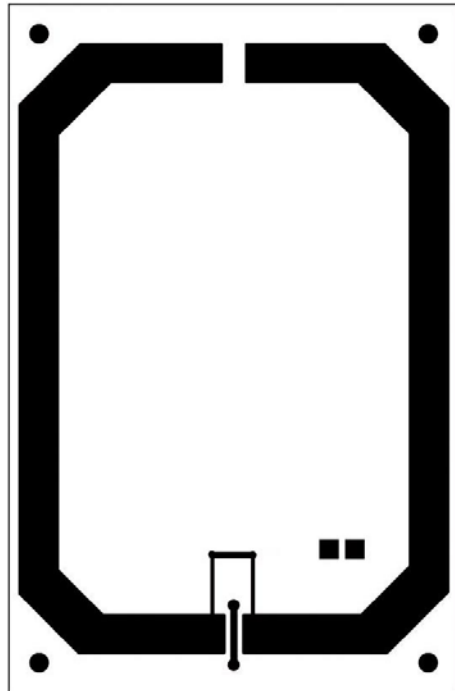
APPLICATION NOTE

Antennas designing guide

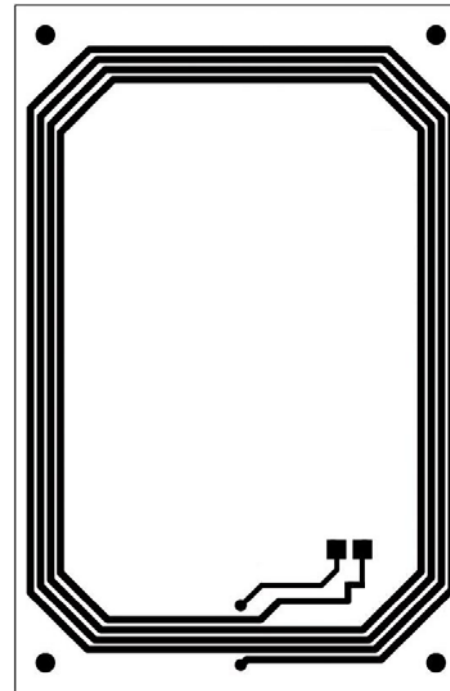
1. INTERFACING THE MOD-K531 MODULE



2. EXAMPLE 1 : 69x45x1.5 (MM) PCB

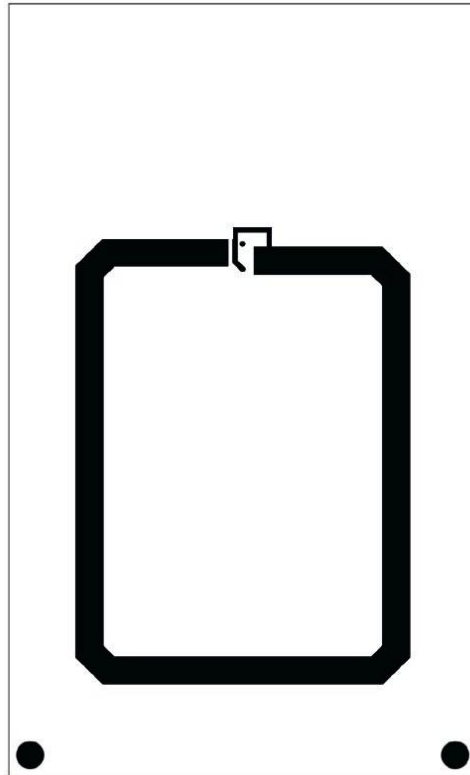


FRONT SIDE

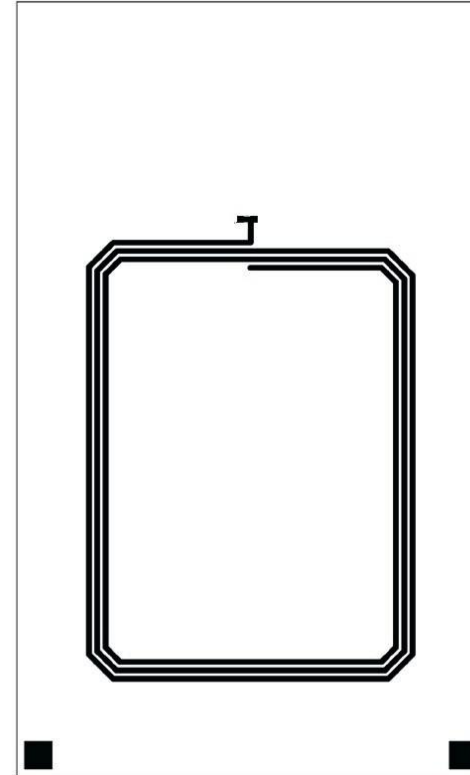


BACK SIDE

3. EXAMPLE 2 : 139 x 83.5 x 1.5 (MM) PCB



FRONT SIDE



BACK SIDE

4. ACCESS TO PHILIPS DOCUMENTATION

4.1. PASSWORD REQUEST FORM FOR CONFIDENTIAL MIFARE DOCUMENTS

Here is the link on the Philips form to request passwords for different datasheets.

http://www.semiconductors.philips.com/acrobat/other/identification/MF_Passwordrequest03_2004.pdf

4.2. RECOMMENDED DOCUMENTS

On the following page of the Philips website you will find datasheets you need :

<http://www.semiconductors.philips.com/markets/identification/datasheets/index.html>

MIFARE and I-CODE MICORE reader IC family; Directly Matched Antenna Design; Application Note

<http://www.semiconductors.philips.com/acrobat/other/identification/MC077910.pdf>

Mifare(14443A) 13,56 MHz RFID Proximity Antennas; Application Note

<http://www.semiconductors.philips.com/acrobat/other/identification/MC078010.pdf>

These documents require a password.