



PMD2176-AE
DRAFT - PUBLIC

SPRINGCARD PC/SC READERS - H512 GROUP

Developer's reference manual

DOCUMENT IDENTIFICATION

Category	Developer's manual		
Family/Customer	PC/SC readers		
Reference	PMD2176	Version	AE
Status	draft	Classification	Public
Keywords	H512, PC/SC, NFC emulation, contactless cards, RFID labels, NFC tags		
Abstract			

File name	V:\Dossiers\notices\H512 Group\Developpement et integration\[PMD2176-AE] H512 Developer's Reference Manual.odt		
Date saved	27/06/13	Date printed	24/09/12

REVISION HISTORY

Ver.	Date	Author	Valid. by		Approv. by	Details
			Tech.	Qual.		
AA	29/08/12	JDA				Created from PMD841P-FA
AB	09/10/12	JDA				First preliminary release
AC	02/11/12	JDA				Improved the introduction All configuration registers are now documented
AD	04/12/12	JDA				Documented Felica (NFC Type 3 Tag) read/write Clarified chapter 11
AE	21/05/13	JDA				Separated chapter 2 from chapter 1 Renumbered the chapters (moved up "contactless hints" and "NFC initiator role"), named last chapters "annex". New drawings Documented all the configuration registers Removed the preliminary Watermark

CONTENTS

1. INTRODUCTION.....	7	5.1.3.Using the GET DATA instruction.....	55
1.1.ABSTRACT.....	7	5.1.4.Contactless protocol.....	55
1.2.SUPPORTED PRODUCTS.....	7	5.1.5.Contactless card name bytes.....	56
1.3.AUDIENCE.....	7	5.2.ISO 14443-4 PICCs.....	57
1.4.SUPPORT AND UPDATES.....	7	5.2.1.Desfire first version (0.4).....	57
1.5.USEFUL LINKS.....	8	5.2.2.Desfire EV0 (0.6) and EV1.....	57
2.PC/SC, SMARTCARDS AND NFC: QUICK INTRODUCTION AND GLOSSARY.....	9	5.2.3.Calypso cards.....	57
2.1.SMARTCARD AND CONTACTLESS SMARTCARDS STANDARDS.....	9	5.3.WIRED-LOGIC PICCs BASED ON ISO 14443-A.....	58
2.2.PC/SC.....	10	5.3.1.Mifare Classic.....	58
2.2.1.PC/SC and a contactless smartcard.....	10	5.3.2.Mifare Plus X and Mifare Plus S.....	60
2.2.2.Non-7816-4 contactless cards – introducing the embedded APDU interpreter.....	11	5.3.3.NFC Type 2 Tags - Mifare UltraLight and UltraLight C, NTAG203.....	62
2.3.NFC ?.....	12	5.3.4.NFC Type 1 Tags - Innovision Topaz/Jewel.....	64
2.4.VENDOR-SPECIFIC FEATURES – DIRECT CONTROL OF THE READER.....	13	5.4.OTHER NON-ISO PICCs.....	65
2.5.GLOSSARY – USEFUL TERMS.....	14	5.4.1.NFC Type 3 Tags / Felica.....	65
3.THE H512'S THREE OPERATING MODES.....	18	6.DIRECT CONTROL OF THE H512.....	66
3.1.READER MODE (PC/SC READER + NFC INITIATOR).....	18	6.1.BASIS.....	66
3.2.CARD EMULATION MODE.....	18	6.2.IMPLEMENTATION DETAILS.....	66
3.3.NFC TAG EMULATION MODE.....	18	6.2.1.Sample code.....	66
3.4.SELECTING ONE OF THE TARGET MODES.....	19	6.2.2.Link to K531/K632/SpringProx/CSB legacy protocol.....	68
3.5.GOING BACK TO READER MODE.....	19	6.2.3.Format of response, return codes.....	68
4.EMBEDDED APDU INTERPRETER.....	20	6.2.4.Redirection to the Embedded APDU Interpreter.....	68
4.1.BASIS.....	20	6.3.LIST OF AVAILABLE CONTROL SEQUENCES.....	69
4.1.1.CLA byte of the embedded APDU interpreter.....	20	6.3.1.Action on the LEDs.....	69
4.1.2.Status words returned by the embedded APDU interpreter.....	21	6.3.2.Action on the buzzer.....	70
4.1.3.Embedded APDU interpreter instruction list.....	22	6.3.3.Obtaining information on reader and slot.....	71
4.2.PC/SC STANDARD INSTRUCTIONS.....	23	6.3.4.Stopping / starting a slot.....	72
4.2.1.GET DATA instruction.....	23	6.3.5.Reading/writing H512's configuration registers.....	73
4.2.2.LOAD KEY instruction.....	25	6.3.6.Pushing a new temporary configuration.....	73
4.2.3.GENERAL AUTHENTICATE instruction.....	27	7.READER MODE: WORKING WITH A P2P TARGET.....	74
4.2.4.READ BINARY instruction.....	29	7.1.INTRODUCTION.....	74
4.2.5.UPDATE BINARY instruction.....	31	7.1.1.Functions performed by the H512.....	74
4.3.VENDOR SPECIFIC INSTRUCTIONS FOR THE CONTACTLESS SLOT.....	33	7.1.2.Functions to be implemented on the PC.....	75
4.3.1.MIFARE CLASSIC READ instruction.....	33	7.2.MAPPING OF THE NFC FUNCTIONS INTO PC/SC FUNCTIONS.....	75
4.3.2.MIFARE CLASSIC WRITE instruction.....	35	7.2.1.ATR of an ISO 18092 target.....	75
4.3.3.MIFARE CLASSIC VALUE instruction.....	38	7.2.2.Using SCardTransmit (ENCAPSULATE) to exchange PDUs.....	76
4.3.4.CONTACTLESS SLOT CONTROL instruction.....	41	7.3.ADVANCED FEATURES.....	76
4.3.5.SET FELICA RUNTIME PARAMETERS instruction.....	42	7.3.1.Changing the GI bytes in the ATR_REQ.....	76
4.3.6.ENCAPSULATE instruction.....	44	8.CARD EMULATION MODE.....	78
4.4.OTHER VENDOR SPECIFIC INSTRUCTIONS.....	48	8.1.INTRODUCTION.....	78
4.4.1.READER CONTROL instruction.....	48	8.1.1.Basis.....	78
4.4.2.TEST instruction.....	50	8.1.2.Understanding the difference between NFC type 4 Tag emulation and Card emulation.....	79
5.WORKING WITH CONTACTLESS CARDS – USEFUL HINTS.....	52	8.1.3.Functions performed by the H512.....	79
5.1.RECOGNIZING AND IDENTIFYING PICC IN PC/SC ENVIRONMENT.....	52	8.1.4.Functions to be implemented on the PC.....	79
5.1.1.ATR of an ISO 14443-4 compliant smartcard.....	52	8.2.TECHNICAL DATA AND LIMITS.....	80
5.1.2.ATR of a wired-logic PICC.....	54	8.2.1.Characteristics of the contactless interface.....	80
		8.2.2.Protocol data.....	80
		8.3.ACTIVATING THE CARD EMULATION MODE.....	81

8.4. IMPLEMENTING THE CARD EMULATION ON THE PC.....	81	10.4.1. First activation – Tag's content is initialized.....	100
8.4.1. Polling the events of the emulated Card.....	81	10.4.2. Following activation – Tag's content is preserved....	101
8.4.2. The SELECT event.....	83	10.5. ACCESSING THE EMULATED TAG'S CONTENT THROUGH PC/SC...	101
8.4.3. The C-APDU READY event – receiving the C-APDU.....	83	10.5.1. ATR.....	102
8.4.4. Sending the R-APDU.....	83	10.5.2. Reading and writing data.....	102
8.4.5. Handling the R-APDU DONE event.....	84	10.6. ADVANCED FEATURES.....	102
8.4.6. Handling the DESELECT event.....	84	10.6.1. Changing the ATQ and SAK.....	102
8.5. ERROR CODES AND RECOVERY ACTIONS.....	85	11. CONFIGURATION REGISTERS.....	103
8.6. ADVANCED FEATURES.....	86	11.1. LIST OF THE CONFIGURATION REGISTERS AVAILABLE TO THE USER. .	103
8.6.1. Changing the ATQ, SAK.....	86	11.2. CORE CONFIGURATION.....	104
8.6.2. Changing the Historical Bytes of the ATS.....	86	11.2.1. Configuration of the LEDs.....	104
9. NFC TYPE 4 TAG EMULATION MODE.....	87	11.2.2. Options for the LEDs and GPIOs.....	105
9.1. INTRODUCTION.....	87	11.2.3. Behaviour of the LEDs and buzzer.....	105
9.1.1. Basis.....	87	11.3. PC/SC CONFIGURATION.....	106
9.1.2. The NFC Type 4 tag specification.....	88	11.3.1. CLA byte of APDU interpreter.....	106
9.1.3. Benefits of using the H512 in this mode.....	88	11.3.2. Behaviour of the contactless slot in PC/SC mode.....	107
9.2. TECHNICAL DATA AND LIMITS.....	89	11.4. CONTACTLESS CONFIGURATION.....	108
9.2.1. Characteristics of the contactless interface.....	89	11.4.1. Enabled protocols.....	108
9.2.2. Protocol data.....	89	11.4.2. Parameters for polling.....	109
9.2.3. Command set.....	90	11.4.3. Options for polling.....	110
9.3. THE NDEF APPLICATION.....	90	11.4.4. Allowed baudrates in T=CL (ISO 14443-4).....	111
9.4. CC FILE.....	90	11.4.5. Options for T=CL (ISO 14443-4).....	112
9.4.1. File identifier.....	90	11.5. FELICA CONFIGURATION.....	113
9.4.2. Size.....	90	11.5.1. Felica parameters.....	113
9.4.3. Initial content.....	91	11.6. ISO 18092 / NFC-DEP CONFIGURATION.....	114
9.5. NDEF FILE.....	91	11.6.1. SENS_RES, SEL_RES, NFCID2 in NFC target mode.....	114
9.5.1. File identifier.....	91	11.6.2. Global Bytes in ATR_REQ and ATR_RES.....	114
9.5.2. Size.....	91	11.7. PICC EMULATION MODE CONFIGURATION.....	115
9.5.3. Initial content.....	92	11.7.1. ATQ, UID and SAK in NFC type 2 Tag emulation mode	115
9.6. ACCESS CONDITIONS.....	92	11.7.2. ATQ, UID and SAK in NFC type 4 Tag emulation mode	115
9.7. ACTIVATING THE NFC TYPE 4 TAG EMULATION MODE.....	92	11.7.3. Historical Bytes of the ATS in NFC type 4 Tag emulation	115
9.7.1. First activation – Tag's content is initialized.....	92	mode.....	115
9.7.2. Following activation – Tag's content is preserved.....	93	11.7.4. ATQ, UID and SAK in Card emulation mode.....	116
9.8. ACCESSING THE EMULATED TAG'S CONTENT THROUGH PC/SC.....	93	11.7.5. Historical Bytes of the ATS in Card emulation mode	116
9.8.1. ATR.....	93	12. ANNEX A – SPECIFIC ERROR CODES.....	117
9.8.2. Selecting the application and files, reading and writing	93	13. ANNEX B – ACTIVATING SCARDCONTROL WITH THE	119
data.....	93	DIFFERENT DRIVERS.....	119
9.9. ADVANCED FEATURES.....	95	13.1. DIRECT CONTROL USING SPRINGCARD SDD480.....	119
9.9.1. Changing the ATQ and SAK.....	95	13.2. DIRECT CONTROL USING MS USBCCID.....	119
9.9.2. Changing the ATS.....	95	13.3. DIRECT CONTROL USING MS WUDFUSBCCIDDRIVER.....	120
10. NFC TYPE 2 TAG EMULATION MODE.....	96	13.4. DIRECT CONTROL USING PCSC-LITE CCID.....	121
10.1. INTRODUCTION.....	96		
10.1.1. Basis.....	96		
10.1.2. The NFC Type 2 Tag specification.....	97		
10.1.3. Benefits of using the H512 in this mode.....	97		
10.2. TECHNICAL DATA AND LIMITING VALUES.....	98		
10.2.1. Characteristics of the contactless interface.....	98		
10.2.2. Protocol data.....	98		
10.2.3. Capacity.....	98		
10.3. MEMORY MAPPING.....	99		
10.3.1. Structure.....	99		
10.3.2. Access conditions – role of CC3.....	99		
10.3.3. Initial content.....	100		
10.4. ACTIVATING THE NFC TYPE 2 TAG EMULATION MODE.....	100		

1. INTRODUCTION

1.1. ABSTRACT

SpringCard H512 is a NFC coupler working in PC/SC mode. It is able to

- read/write NFC Tags
- emulate contactless cards (including Type 2 and Type 4 NFC Tags)
- communicate with other NFC devices in “peer-to-peer” mode.

The **H512** module is the core of numerous PC/SC NFC couplers offered by **SpringCard**, and also of specific readers designed by OEMs.

This document provides all necessary information to develop software that will use the **H512** core.

1.2. SUPPORTED PRODUCTS

At the time of writing, this document refers to all **SpringCard PC/SC NFC Couplers** in the **H512** group:

- The **H512S**: OEM module without antenna,
- The **H512-USB**: OEM module with antenna based on the **H512S**.

In addition, the **NFC'Roll** desktop NFC coupler is not based on the **H512** core, but its firmware is so close that it is documented in this manual as well.

1.3. AUDIENCE

This manual is designed for use by application developers. It assumes that the reader has expert knowledge of computer development and a basic knowledge of PC/SC, of the ISO 7816-4 standard for smartcards, and of the NFC Forum's specifications.

Chapter 2 provides a quick introduction to those technologies and concepts, but of course can't detail all the aspects. Please consider buying a reference book or attending a training session in case you are not familiar with them yet.

1.4. SUPPORT AND UPDATES

Useful related materials (product datasheets, application notes, sample software, HOWTOs and FAQs...) are available at SpringCard's web site:

www.springcard.com

Updated versions of this document and others are posted on this web site as soon as they are available.

For technical support enquiries, please refer to SpringCard support page, on the web at

www.springcard.com/support

1.5. USEFUL LINKS

- NFC Forum: <http://www.nfc-forum.org>
- Microsoft's PC/SC reference documentation is included in Visual Studio help system, and available online at <http://msdn.microsoft.com>. Enter "winscard" or "SCardTransmit" keywords in the search box.
- MUSCLE PCSC-Lite project: <http://www.musclecard.com> (direct link to PC/SC stack : <http://pcsclite.alioth.debian.org>)
- PC/SC workgroup: <http://www.pcscworkgroup.com>

2. PC/SC, SMARTCARDS AND NFC: QUICK INTRODUCTION AND GLOSSARY

2.1. SMARTCARD AND CONTACTLESS SMARTCARDS STANDARDS

A **smartcard** is a microprocessor (running a software of course) mounted in a plastic card.

The **ISO 7816** family of standards defines everything for contact smartcards:

- **ISO 7816-1** and **ISO 7816-2** defines the form-factor and electrical characteristics,
- **ISO 7816-3** introduces two transport-level protocols between the reader and the card: "T=0" and "T=1",
- **ISO 7816-4** mandates a common function set. This function set exposes the smartcard as a small file-system, with directories and files, where the data are stored. The application-level frames are called **APDUs**.

The **ISO 14443** family is the normative reference for contactless smartcards:

- **ISO 14443-1** and **ISO 14443-2** defines the form-factor, RF characteristics, and bit-level communication,
- **ISO 14443-3** specifies the byte- and frame-levels part of the communication¹,
- **ISO 14443-4** introduces a transport-level protocol that more-or-less looks like T=1, so it is often called "T=CL" (but this name never appears in the standard).

On top of T=CL, the **contactless smartcard** is supposed to have the same function set and APDUs formatting rules as **contact smartcard**, i.e. it should be "ISO 7816-4 on top of ISO 14443".

In this context, working with a smartcard (either contact or contactless) is as easy as sending a command (C-APDU) to the card, and receive its response (R-APDU). The "smartcard reader" is only a gateway that implements this **APDU exchange** stuff (with a relative abstraction from the transport-level protocols).

¹ ISO 14443-2 and -3 are divided into 2 technologies: ISO 14443 type A and ISO 14443 type B. They use different codings and low-level protocols, but the transport protocol defined in ISO 14443-4 is type-agnostic: it makes no difference whether the card is type A or type B.

2.2. PC/SC

PC/SC is the de-facto standard to interface *Personal Computers with Smart Cards* (and smartcard readers of course). **SpringCard PC/SC Readers** comply with this standard. This makes those products usable on most operating systems, using a high-level and standardized API.

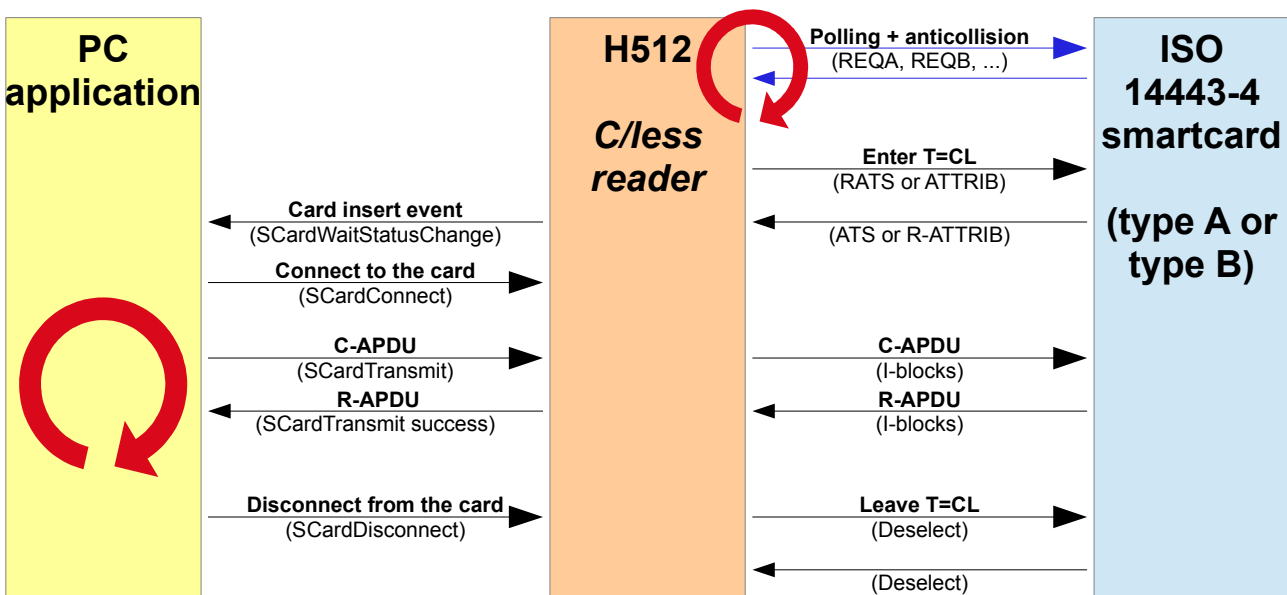
To get started with PC/SC, please read our [Introduction to PC/SC development and simplified documentation of the API](#), available online at

<http://www.springcard.com/download/find.php?file=pmdz061>

The heart of PC/SC is the *SCardTransmit* function, that is the implementation in the computer of the **APDU exchange** stuff.

*If the smartcard you are working with does comply with ISO 7816-4, there is nothing more to add! Refer to the ISO 7816-4 standard and/or to the documentation of the card² to know the APDUs you must send, and how to understand the responses. Then implement your card-aware process through a batch of *SCardTransmit* calls. Whether the smartcard is contactless or contact makes little to no difference³.*

2.2.1. PC/SC and a contactless smartcard



² Note that a microprocessor-based smartcard is a chip plus some application running in it. It could be a monolithic application, without an operating system, or an operating system (for instance JavaCard) with some applications added. You need the documentation of the application(s) and in some situations the documentation of the operating system, not the chip's.

³ Actually there's more differences between contact protocols T=0 and T=1 than between contactless protocol "T=CL" and T=1. When developing an application for a contactless smartcard, read the ISO 7816-4 standard and the documentation of the smartcard as if it were running T=1.

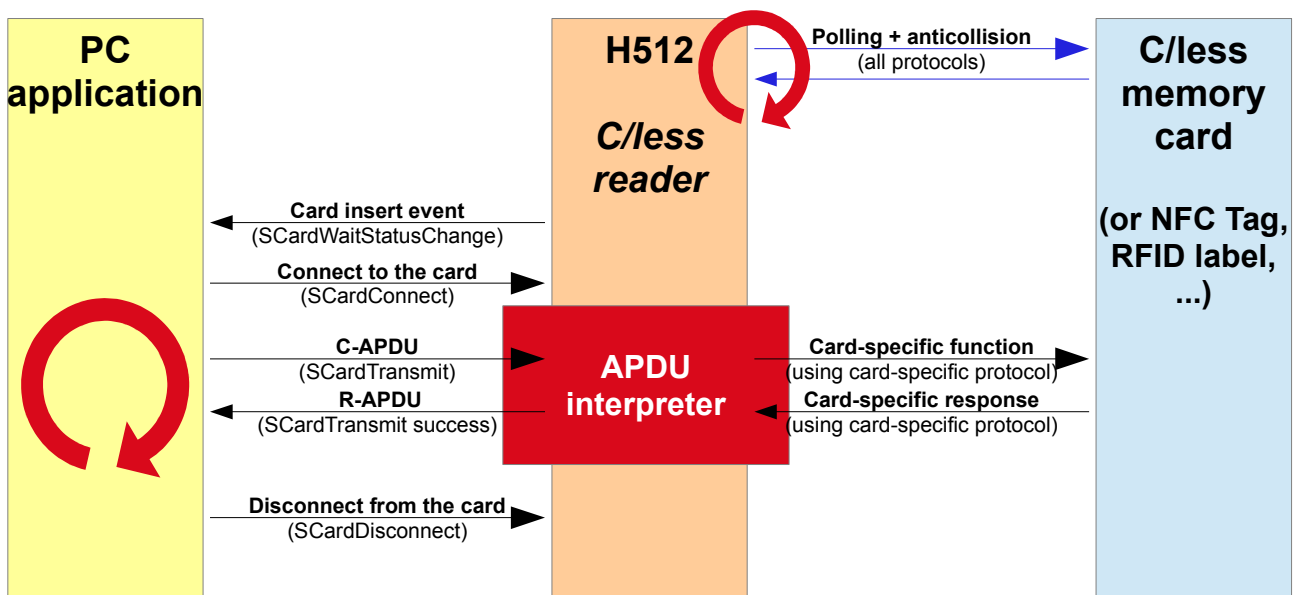
2.2.2. Non-7816-4 contactless cards – introducing the embedded APDU interpreter

A lot of contactless cards are not actually “smartcards” because they are not ISO 7816-4 compliant. They don't comply with the ISO 14443-4 transport-level protocol, and their vendor-specific function set can't fit directly in a single “exchange” function. Therefore, they are not natively supported by the system's PC/SC stack. This is the case of:

- **Wired-logic memory cards** (Mifare, CTS, SR... families),
- **NFC Tags** (type 1, type 2, type 3),
- Even some proprietary microprocessor-based cards that use a **specific communication protocol** with a frame format not compliant with ISO 7816-4 (Desfire EV0...).

The role of the **embedded APDU interpreter**, running in the , is to 'emulate' a standard smartcard in those cases. Doing so, the PC/SC stack (and as a consequence your application) doesn't have to deal with the underlying protocols and chip-specific commands.

Basically, the **embedded APDU interpreter** exposes the card as being a T=1 compliant smartcard, and provides two functions taken from ISO 7816-4: READ BINARY and UPDATE BINARY. In ISO 7816-4, those functions are intended to access data within a file (in the card's file-system), but on memory cards they give access to the “raw” storage, using a byte-, block- or page-based access depending on the card technology and features.



2.3. NFC ?

NFC stands for **Near Field Communication**, which is the case of all communication systems using low frequencies or very short operating distance. But NFC is now understood as both

- **NFCIP-1** (Near Field Communication Interface and Protocol), i.e. the ISO 18092 standard, which defines a new transport-level protocol sometimes called “peer-to-peer” (but this name never appears in the standard),
- **NFC Forum**, an association that promotes the uses of NFC and publishes “application-level” standards (where ISO focuses on the technical levels).

SpringCard H512 and derived products are partially compliant with NFCIP-1 (initiator role, passive communication mode only). These products are also designed with NFC Forum's applications in mind, but no compliance with NFC Forum's requirements is claimed.

Note that in NFC Forum's literature,

- *ISO 14443 type A and ISO 18092 @ 106kbit/s is called NFC-A,*
- *ISO 14443 type B is called NFC-B,*
- *JIS:X6319-4 and ISO 18092 @ 212/424kbit/s is called NFC-F.*

2.4. VENDOR-SPECIFIC FEATURES — DIRECT CONTROL OF THE READER

PC/SC's *SCardTransmit* function implements a communication channel between your application and the card. But sometimes the application wants to access some features of the itself: driving the LEDs or buzzer, getting the serial number... In other words, the application wants to talk to the reader and not to the card.

The PC/SC's *SCardControl* function has been designed to do so. Chapter 6 details the commands supported by the **H512** using this direct communication channel. But opening a *SCardControl* channel means getting a direct (and exclusive) access to the reader, and as a consequence blocks the other communication channel(s).

To overcome this drawback, the **embedded APDU interpreter** could also be used to convey commands to the reader with an existing card-channel and using *SCardTransmit* calls (see § 4 for details).

2.5. GLOSSARY – USEFUL TERMS

The following list contains the terms that are directly related to the subject of this document. This is an excerpt from our technical glossary, available online at:

<http://www.springcard.com/blog/technical-glossary/>

- **ICC:** *integrated-circuit card*. This is the standard name for a plastic card holding a silicon chip (an integrated circuit) compliant with the ISO 7816 standards. A common name is *smartcard*.
- **CD:** *coupling device* or **coupler**. A device able to communicate with an ICC. This is what everybody calls a *smartcard reader*. Technically speaking, it could be seen as a gateway between the computer and the card.
- **Microprocessor-based card:** an ICC (or a PICC) whose chip is a small computer. This is the case of high-end cards used in payment, transport, eID/passports, access control... Key features are security, ability to store a large amount of data and to run an application inside the chip. Most of the time they implement the command set defined by ISO 7816-4.
- **Memory card** or **wired logic card:** an ICC (or a PICC) whose chip is only able to store some data, and features a limited security scheme (or no security scheme at all). They are cheaper than microprocessor-based cards and therefore are widely used for RFID traceability, loyalty, access control...
- **PICC:** *proximity integrated-circuit card*. This is the standard name for any contactless card compliant with the ISO 14443 standards (proximity: less than 10cm). This could either be a smartcard or a memory card, or also any NFC object running in card emulation mode. Common names are *contactless card*, or *RFID card*, *NFC Tag*.
- **PCD:** *proximity coupling device*. A device able to communicate with a PICC, i.e. a contactless reader compliant with ISO 14443.
- **RFID:** *radio-frequency identification*. This is the general name for any system using radio waves for M2M communication (machine to machine, in our case PCD to PICC).
- **VICC:** *vicinity integrated circuit card*. This is the standard name for any contactless card compliant with the ISO 15693 standards (vicinity: less than 150cm). Common names are *RFID tag*, *RFID label*.
- **VCD:** *vicinity coupling device*. A device able to communicate with a VICC, i.e. a contactless reader compliant with ISO 15693.
- **NFC:** *near-field communication*. A subset of RFID, where the operating distance is much shorter than the wavelength of the radio waves involved. This is the case for both ISO 14443: the carrier frequency is 13.56MHz, leading to a wavelength of 22m. The proximity and vicinity ranges are shorter than this wavelength.
- **NFC Forum:** an international association that aims to standardize the applications of NFC in the 13.56MHz range. Their main contribution is the NFC Tags, which are nothing more than

PICCs which data are formatted according to their specifications, so the information they contain is understandable by any compliant application.

- **NDEF: NFC Data Exchange Format.** The format of the data on the NFC Tags specified by the NFC Forum.
- **ISO 7816-1 and ISO 7816-2:** This international standard defines the hardware characteristics of the ICC. The standard smartcard format (86x54mm) is called ID-1. A smaller form-factor is used for SIM cards (used in mobile phone) or SAM (secure authentication module, used for payment or transport applications) and is called ID-000.
- **ISO 7816-3:** This international standard defines two communication protocols for ICCs: T=0 and T=1. A compliant reader must support both of them.
- **ISO 7816-4:** This international standard defines both a communication scheme and a command set. The communication scheme is made of APDUs. The command set assumes that the card is structured the same way as a computer disk drive: directories and files could be selected (SELECT instruction) and accessed for reading or writing (READ BINARY, UPDATE BINARY instructions). More than 40 instructions are defined by the standard, but most cards implement only a small subset, and often add their own (vendor-specific) instructions.
- **APDU: application protocol datagram unit.** These are the frames that are exchanged at application-level between an application running on the computer and a smartcard. The format of those frames is defined by ISO 7816-4 and checked by the system's PC/SC stack. The command (application to card) is called a C-APDU, the response (card to application) an R-APDU. Note that this is a request/response scheme: the smartcard has no way to send something to the application unless the application asks for it.
- **ISO 14443:** This international standard defines the PCD/PICC communication scheme. It is divided into 4 layers:
 1. Defines the hardware characteristics of the PICC,
 2. Defines the carrier frequency and the bit-level communication scheme,
 3. Defines the frame-level communication scheme and the session opening sequence (anti-collision),
 4. Defines the transport-level communication scheme (sometimes called "T=CL").

The application-level is out of the scope of ISO 14443. Most microprocessor-based PICCs implement ISO 7816-4 on top of ISO 14443-4.

A lot of wired logic PICCs (NXP Mifare family, ST Micro Electronics ST/SR families, to name a few) implements only a subset of ISO 14443, and have their own set of functions on top of either ISO 14443-2 or ISO 14443-3.

Note that ISO 14443-2 and ISO 14443-3 are divided into 2 protocols called 'A' and 'B'. A PCD shall implement both, but the PICCs implement only one of them⁴. Four

⁴ Yet some NFC objects may emulate both an ISO 14443-A and an ISO 14443-B card.

communication baud rates are possible: 106 kbit/s is mandatory, higher baud rates (212, 424 or 848 kbit/s) are optional.

- **ISO 15693:** This international standard defines the VCD/VICC communication scheme. It is divided into 3 layers:
 1. Defines the hardware characteristics of the VICC,
 2. Defines the carrier frequency and the bit-level communication scheme,
 3. Defines the frame-level communication scheme, the session opening sequence (anti-collision/inventory), and the command set of the VICC.

All VICCs are memory chips. Their data storage area is divided into blocks. The size of the blocks and the number of them depend on the VICC.

Note that ISO 18000-3 mode 1 is the same as ISO 15693⁵.

- **ISO 18092** or **NFCIP-1:** This international standard defines a communication scheme (most of the time named “peer to peer mode”) where two peer “objects” are able to communicate together (and not only a PCD and a PICC). The underlying protocol is ISO 14443-A at 106 kbit/s and JIS:X6319-4 (aka Sony Felica protocol) at 212 and 424 kbit/s.
- **Initiator:** according to NFCIP-1, the NFC object that is the “master” of the communication with a peer known as target. A PCD is a sort of initiator.
- **Target:** according to NFCIP-1, the NFC object that is the “slave” in the communication with a peer known as initiator. A PICC is a sort of target.
- **NFC-DEP:** *NFC Data Exchange Protocol*. This is the name used by the NFC Forum for the ISO 18092 “high level” protocol. After an initial handshaking (ATR_REQ/ATR_RES), the initiator and the target exchanges transport-level blocks (DEP_REQ/DEP_RES).
- **LLCP:** *Logical Link Control Protocol*. A network protocol specified by the NFC Forum on top of NFC-DEP.
- **SNEP:** *Simple NDEF Exchange Protocol*. An application protocol specified by the NFC Forum to exchange NDEF messages on top of LLCP.
- **ISO 21481** or **NFCIP-2:** This international standard defines how a NFC object shall also be able to communicate using ISO 14443 and ISO 15693 standards.
- **Mifare:** This trademark of NXP (formerly Philips Semiconductors) is the generic brand name of their PICC products. Billions of Mifare Classic cards have been deployed since the 90's. This is a family of wired-logic PICCs where data storage is divided into sectors and protected by a proprietary⁶ stream cipher called CRYPTO1. Every sector is protected by 2 access keys called “key A” and “key B”⁷. NXP also offers another family of wired-logic PICCs called Mifare UltraLight (adopted by the NFC Forum as NFC Type 2 Tags). Mifare SmartMX

⁵ ISO 15693 has been written by the workgroup in charge of smartcards, and then copied by the workgroup in charge of RFID into ISO 18000, the large family of RFID standards.

⁶ And totally broken. Do not rely on this scheme in security-sensitive applications!

⁷ A typical formatting would define key A as the key for reading, and key B as the key for reading+writing.

(and former Pro/ProX) is a family of microprocessor-based PICCs that may run virtually any smartcard application, typically on top a JavaCard operating system. Mifare Desfire is a particular microprocessor-based PICC that runs a single general-purpose application.

- **Felica:** This trademark of Sony is the generic brand name of their PICC products. The underlying protocol has been standardized in Japan (JIS:X6319-4) and is used by ISO 18092 at 212 and 424 kbit/s. The Felica standard includes a Sony-proprietary security scheme that is not implemented in SpringCard's products. Therefore, only the Felica chips configured to work without security ("Felica Lite", "Felica Lite-S", or NFC Type 3 Tags) are supported.

3. THE H512'S THREE OPERATING MODES

3.1. READER MODE (PC/SC READER + NFC INITIATOR)

The **reader mode** is the default mode for the **H512**. Every time the device is started (power up, hardware reset or software reset), it enters this mode.

In this mode, the **H512** is a contactless smartcard reader (PCD), compliant with the PC/SC standard, and also a NFC Initiator:

- It detects and activates any ISO 14443-4 compliant contactless smartcard (micro-processor based, including NFC Type 4 Tag), and provides a direct communication channel between the application(s) running on the PC and the card,
- It detects and activates any supported contactless memory card (including Mifare family, and NFC Type 1, 2 or 3 Tags), and makes it possible for the application(s) to process them easily, thanks to the embedded APDU interpreter (see chapters 4 and 5),
- It detects and activates any ISO 18092 compliant object, running as a target and using the passive communication scheme⁸ (see chapter 7),.

On the PC side, everything is implemented through exchanges of APDUs within **SCardTransmit** calls.

3.2. CARD EMULATION MODE

When this mode is selected, the **H512** emulates a PICC compliant with ISO 14443-4 type A (contactless smartcard). It is ready to be accessed by a remote PCD (contactless smartcard reader).

On the PC side, the application must implement the behaviour expected for the smartcard being emulated. For instance, this could be the processing of APDUs defined by ISO 7816-4.

Details are provided in chapter 8

3.3. NFC TAG EMULATION MODE

When this mode is selected, the **H512** emulates a NFC Tag; it is ready to be accessed by a remote PCD (for instance a NFC object running in **reader mode**). On the PC side, it emulates the same kind of Tag, so the PC application may read/write the data into the Tag. As a consequence, the Tag's data are 'shared' between the PC application and the remote PCD.

This mode accepts two sub modes; the **H512** may emulate either

- a type 2 Tag, i.e. a memory card in the Mifare UltraLight family,

⁸ The **H512** is active. The NFC Target remains passive during the communication.

- a type 4 Tag, i.e. an ISO 7816-4 smartcard on top of the ISO 14443-4 type A protocol, Refer to chapters 9 for type 4 and 10 for type 2.

3.4. SELECTING ONE OF THE TARGET MODES

The selection of the mode has to be done with a **SCardControl** function call (see chapter 6 for reference).

- To enter the **Card emulation mode**, refer to § 8.3
- To start the **emulation of a NFC Type 4 Tag** (NFC Tag emulation mode, type 4 sub mode), refer to § 9.7
- To start the **emulation of a NFC Type 2 Tag** (NFC Tag emulation mode, type 2 sub mode), refer to § 10.4

3.5. GOING BACK TO READER MODE

To go back to the **reader mode**, send the following command within a **SCardControl** function call:

ENTER READER MODE command

Opcode		Parameters	
h83	h10	h00	h00

ENTER READER MODE response – success

Status
h00

ENTER READER MODE response – failure: an external RF field has been detected

Status
h1D

Error: the **H512** was unable to enter the **reader mode** (PCD) due to another PCD being in the nearby.

The **H512** is not in any **emulation mode** any more. Stop the other PCD or move it far from the **H512**, and send the same command again.

4. EMBEDDED APDU INTERPRETER

4.1. BASIS

In PC/SC architecture, the *SCardTransmit* function implements the dialogue between an application and a smartcard, the reader being only a “passive” gateway. The reader transmits frames in both directions, without any specific processing. The dialogue follows the ISO 7816-4 APDU rules:

- Application to smartcard **C-APDU** is *CLA, INS, P1, P2, Data In (optional)*
- Smartcard to application **R-APDU** is *Data Out (optional), SW1, SW2*

In order to work with non ISO 7816-4 cards as if they were smartcards, the embedded APDU interpreter obeys to the same rules, offering its own list of instructions under the reserved class **CLA=FF**. It is therefore available through regular *SCardTransmit* calls.

4.1.1. CLA byte of the embedded APDU interpreter

Default class is FF. This means that every APDU starting with CLA= FF will be interpreted by the **H512**, and not forwarded by the card.

a. Changing the CLA byte of the embedded APDU interpreter

The CLA byte of the embedded APDU interpreter is stored in register B2 of **H512**'s non volatile memory (see § 11.3.1).

Note: in the following paragraphs, documentation of the APDUs is written with CLA= FF. Change this to match your own CLA if necessary.

b. Disabling the embedded APDU interpreter

Define CLA byte = 00 (register B2= 00, see § 11.3.1) to disable the embedded APDU interpreter.

4.1.2. Status words returned by the embedded APDU interpreter

SW1	SW2	Meaning
$_{h}90$	$_{h}00$	Success
$_{h}67$	$_{h}00$	Wrong length (Lc incoherent with Data In)
$_{h}68$	$_{h}00$	CLA byte is not correct
$_{h}6A$	$_{h}81$	Function not supported (INS byte is not correct), or not available for the selected PICC
$_{h}6B$	$_{h}00$	Wrong parameter P1-P2
$_{h}6F$	$_{h}01$	PICC mute or removed during the transfer

Some functions provided by the embedded APDU interpreter may return specific status words. This behaviour is documented within the paragraph dedicated to each function.

4.1.3. Embedded APDU interpreter instruction list

Instruction	INS	Notes (see below)
LOAD KEY	$\text{h}82$	C
GENERAL AUTHENTICATE	$\text{h}86$	C
READ BINARY	$\text{h}B0$	A
ENVELOPE	$\text{h}C2$	B
GET DATA	$\text{h}CA$	C
UPDATE BINARY	$\text{h}D6$	A
READER CONTROL	$\text{h}F0$	D
RC CONTROL	$\text{h}F1$	D
MIFARE CLASSIC READ	$\text{h}F3$	D
MIFARE CLASSIC WRITE	$\text{h}F4$	D
MIFARE CLASSIC VALUE	$\text{h}F5$	D
CONTACTLESS SLOT CONTROL	$\text{h}FB$	D
TEST	$\text{h}FD$	D
ENCAPSULATE	$\text{h}FE$	D

Notes:

- A Function fully implemented according to PC/SC standard
- B Function implemented according to PC/SC standard, but some feature are not supported
- C Function implemented according to PC/SC standard, but also provides vendor-specific options
- D Vendor-specific function

4.2. PC/SC STANDARD INSTRUCTIONS

4.2.1. GET DATA instruction

The **GET DATA** instruction retrieves information regarding the inserted PICC. It can be used with any kind of PICC, but the returned content will vary with the type of PICC actually in the slot.

GET DATA command APDU

CLA	INS	P1	P2	Lc	Data In	Le
hFF	hCA	See below	See below	-	-	h00

GET DATA command parameters

P1	P2	Action	
Standard PC/SC-defined values			
h00	h00	Serial number of the PICC - ISO 14443-A : UID (4, 7 or 11 bytes) - ISO 14443-B : PUPI (4 bytes) - Innovatron : DIV (4 bytes) - JIS:X6319-4 : IDm (8 bytes) - others: see chapter 5 for details	
SpringCard specific values			
h01	h00	- ISO 14443-A : historical bytes from the ATS - ISO 14443-B : INF field in ATTRIB response - JIS:X6319-4 : PMm (8 bytes) - ISO 18092 : G _T bytes in ATR_RES - others: see chapter 5 for details	
hF0	h00	Complete identifier of the PICC: - ISO 14443-A : ATQA (2 bytes) + SAK (1 byte) + UID - ISO 14443-B : complete ATQB (11 or 12 bytes) ⁹ - Innovatron : REPGEN - JIS:X6319-4 : IDm and PMm (16 bytes) - ISO 18092 : complete ATR_RES - others: see chapter 5 for details	
hF1	h00	Type of the PICC, according to PC/SC part 3 supplemental document: PIX.SS (standard, 1 byte) + PIX.NN (card name, 2 bytes) See chapter 5.1 for details	

⁹ SpringCard PC/SC Readers are ready to support the extended ATQB (12 bytes), but since a lot of PICC currently in circulation don't reply to the REQB command with the "extended" bit set, this feature is not enabled by default.

P1	P2	Action	
$_{h}F1$	$_{h}01$	NFC Tag ¹⁰ compliance: - $_{h}01$ if the PICC is recognized as a NFC Type 1 Tag - $_{h}02$ if the PICC is recognized as a NFC Type 2 Tag - $_{h}03$ if the PICC is recognized as a NFC Type 3 Tag - $_{h}00$ otherwise	
$_{h}F2$	$_{h}00$	“Short” serial number of the PICC - ISO 14443-A : UID truncated to 4 bytes, in “classical” order - others: same as P1,P2= $_{h}00,_{h}00$	
$_{h}FA$	$_{h}00$	Card’s ATR	
$_{h}FC$	$_{h}00$	ISO 14443 communication indexes on 2 bytes (DSI, DRI)	
$_{h}FC$	$_{h}01$	PICC → H512 baudrate (DS in kbit/s, 2 bytes, MSB first)	
$_{h}FC$	$_{h}02$	H512 → VICC baudrate (DR in kbit/s, 2 bytes, MSB first)	
$_{h}FF$	$_{h}81$	Vendor name in ASCII (“SpringCard”)	
$_{h}FF$	$_{h}82$	Product name in ASCII	
$_{h}FF$	$_{h}83$	Product serial number in ASCII	
$_{h}FF$	$_{h}84$	Product USB identifier (VID/PID) in ASCII	
$_{h}FF$	$_{h}85$	Product version (“x.xx”) in ASCII	

GET DATA response

Data Out	SW1	SW2
XX ... XX	See below	

GET DATA status word

SW1	SW2	Meaning
$_{h}90$	$_{h}00$	Success
$_{h}62$	$_{h}82$	End of data reached before Le bytes (Le is greater than data length)
$_{h}6C$	XX	Wrong length (Le is shorter than data length, XX in SW2 gives the correct value)

¹⁰ Please refer to NFC Forum’s specifications for details. Note that NFC Type 4 Tags are “standard” contactless smartcards; it is up to the application level to send the proper SELECT APPLICATION to recognize them.

4.2.2. LOAD KEY instruction

The **LOAD KEY** instruction loads a 6-byte Mifare Classic access key (CRYPTO1) into the **H512's** memory.

LOAD KEY command APDU

CLA	INS	P1	P2	Lc	Data In	Le
hFF	h82	Key location	Key index	h06	Key value	-

LOAD KEY command parameter P1 (key location)

P1	
h00	The key is to be loaded in H512's volatile memory
h20	The key is to be loaded in H512's non-volatile memory (secure E2PROM inside the RC chipset, if available ¹¹)

LOAD KEY command parameter P2 (key index)

When P1 = h00, P2 is the identifier of the key into **H512's** volatile memory. The memory has the capacity to store up to 4 keys of each type (A or B).

P2 = h00 to P2 = h03 are "type A" keys,

P2 = h10 to P2 = h13 are "type B" keys.

When P1 = h20, P2 is the identifier of the key into the **H512's** non-volatile memory (if available). This memory can store up to 16 keys of each type (A or B).

P2 = h00 to P2 = h0F are "type A" keys,

P2 = h10 to P2 = h1F are "type B" keys.

Note there's no way to read-back the keys stored in either volatile or non-volatile memory.

LOAD KEY response

SW1	SW2
See below	

¹¹ This feature is available on the CSB6 and H663 groups, but not on the CSB7 and the **H512** groups

LOAD KEY status word

SW1	SW2	Meaning
$\text{h}90$	$\text{h}00$	Success
$\text{h}69$	$\text{h}86$	Volatile memory is not available
$\text{h}69$	$\text{h}87$	Non-volatile memory is not available
$\text{h}69$	$\text{h}88$	Key index (P2) is not in the allowed range
$\text{h}69$	$\text{h}89$	Key length (Lc) is not valid

4.2.3. GENERAL AUTHENTICATE instruction

The **GENERAL AUTHENTICATE** instruction performs a Mifare Classic authentication (CRYPTO1). The application must provide the index of the key to be used; this key must have been loaded into the **H512** through a previous LOAD KEY instruction.

Do not invoke this function if the currently activated PICC is not a Mifare Classic!

GENERAL AUTHENTICATE command APDU

CLA	INS	P1	P2	Lc	Data In	Le
hFF	h86	h00	h00	h05	See below	-

GENERAL AUTHENTICATE Data In bytes

Byte 0	Byte 1	Byte 2	Byte 3	Byte 4
h01	h00	Block number	Key location or Key type	Key index

The **block number** (byte 2) is the address on the Mifare card, where the application tries to be authenticated (*note: this is the block number, not the sector number*).

The **key location or Key type** (byte 3) must be either:

- h60 for authentication using a CRYPTO1 “A” key (*standard PC/SC-defined value*),
- h61 for authentication using a CRYPTO1 “B” key (*standard PC/SC-defined value*),
- Same value as the P1 parameter used in the LOAD KEY instruction: h00 or h20 (*SpringCard specific value*).

The **key index** (byte 4) is defined as follow:

- If **key type** (byte 3) is h60, use values h00 to h03 to select one of the “A” keys stored in the **H512**'s volatile memory, and values h20 to h2F to select one of the “A” keys stored in the **H512**'s non-volatile memory (if available),
- If **key type** (byte 3) is h61, use values h00 to h03 to select one of the “B” keys stored in the **H512**'s volatile memory, and values h20 to h2F to select one of the “B” keys stored in the **H512**'s non-volatile memory (if available),
- If **key type** (byte 3) is either h00 or h20 (same value as the P1 parameter used in the LOAD key instruction), choose one of the values allowed for the P2 parameter in the same LOAD key instruction (*SpringCard specific value*).

GENERAL AUTHENTICATE response

SW1	SW2
See below	

GENERAL AUTHENTICATE status word

SW1	SW2	Meaning
h_{90}	h_{00}	Success
h_{69}	h_{82}	CRYPTO1 authentication failed
h_{69}	h_{86}	Key location or type (byte 3) is not valid (or not available for this reader)
h_{69}	h_{88}	Key index (byte 4) is not in the allowed range

4.2.4. READ BINARY instruction

The **READ BINARY** instruction retrieves data from a memory card (wired-logic PICC). Refer to chapter 5 for details.

For any PICC but Mifare Classic, this instruction is executed without any prerequisite.

For Mifare Classic, to be able to read the sector's data, the application must be authenticated on the card's sector. The application must therefore invoke GENERAL AUTHENTICATE instruction (with a valid key A or key B for the sector) before invoking the READ BINARY instruction. Using the MIFARE CLASSIC READ instruction instead (§ 4.3.1) could be easier and may shorten the transaction time.

READ BINARY command APDU

CLA	INS	P1	P2	Lc	Data In	Le
hFF	hB0	Address MSB	Address LSB	-	-	XX

P1 and P2 form the **address** that will be sent to the PICC in its specific read command. Most PICC are divided into small blocks (sometimes called pages). The address is a block number, and not to an absolute byte offset in memory.

Both the allowed range for the **address** and the value for **Le** depend on the capabilities of the PICC. Please always refer to its datasheet for details. Note that Le = h00 should always work, provided that the address is valid.

For Mifare Classic, P1,P2 is the address of the block (h0000 to h00FF), but remember that the authentication is made on a per-sector basis. A new authentication must be performed every time you have to access another sector.

For a NFC Type 2 Tag, P2 is the block number, and P1 the sector number if the PICC supports this feature. Set P1 to h00 if it is not the case.

READ BINARY response

Data Out	SW1	SW2
XX ... XX	See below	

READ BINARY status word

SW1	SW2	Will return in Data Out
h90	h00	Success
h62	h82	End of data reached before Le bytes (Le is greater than data length)
h69	h81	Command incompatible
h69	h82	Security status not satisfied
h6A	h82	Wrong address (no such block or no such offset in the PICC)
h6C	XX	Wrong length (Le is shorter than data length, XX in SW2 gives the correct value)

4.2.5. UPDATE BINARY instruction

The **UPDATE BINARY** instruction writes data into a memory card (wired-logic PICC). Refer to chapter 5 for details.

For any PICC but Mifare Classic, this instruction is executed without any prerequisite.

For Mifare Classic, to be able to read the sector's data, the application must be authenticated on the card's sector. Your application must always invoke GENERAL AUTHENTICATE instruction (with a valid key A or key B for the sector) before invoking the UPDATE BINARY instruction. Using the MIFARE CLASSIC WRITE instruction instead (§ 4.3.2) could be easier and may shorten the transaction time.

UPDATE BINARY command APDU

CLA	INS	P1	P2	Lc	Data In	Le
$_hFF$	$_hD6$	Address MSB	Address LSB	XX	Data	-

P1 and P2 form the **address** that will be sent to the PICC in its specific write command. Most PICC are divided into small blocks (sometimes called pages). The address is a block number, and not to an absolute byte offset in memory.

Both the allowed range for the **address** and the value for **Lc** depend on the capabilities of the PICC. Please always refer to its datasheet for details.

For Mifare Classic, P1,P2 is the address of the block ($_h0000$ to $_h00FF$), but remember that the authentication is made on a per-sector basis. A new authentication must be performed every time you have to access another sector. Lc must be $_h10$ (a block is 16-B long).

For a NFC Type 2 Tag, P2 is the block number, and P1 the sector number if the PICC does support this feature. Set P1 to $_h00$ if it is not the case. Lc must be $_h04$ (a block is 4-B long).

UPDATE BINARY response

SW1	SW2
See below	

UPDATE BINARY status word

SW1	SW2	Will return in Data Out
h90	h00	Success
h69	h82	Security status not satisfied
h6A	h82	Wrong address (no such block or no such offset in the PICC)
h6A	h84	Wrong length (trying to write too much data at once)

Important disclaimer

Most PICC have specific areas :

- that can be written **only once** (OTP: one time programming or fuse bits),
- and/or that must be written **carefully** because they are involved in the security scheme of the chip (lock bits),
- and/or because writing an invalid value will make the card unusable (sector trailer of a Mifare Classic for instance).

Before invoking UPDATE BINARY, always double check where you're writing, and for the sensitive addresses, what you're writing!

4.3. VENDOR SPECIFIC INSTRUCTIONS FOR THE CONTACTLESS SLOT

4.3.1. MIFARE CLASSIC READ instruction

The **MIFARE CLASSIC READ** instruction retrieves data from a Mifare Classic PICC (e.g. Mifare 1K or Mifare 4K, or Mifare Plus in level 1).

The difference with READ BINARY lies in the authentication scheme:

- With the READ BINARY instruction, authentication must be performed before, using the GENERAL AUTHENTICATE instruction,
- With the MIFARE CLASSIC READ instruction, the authentication is performed automatically by the **H512**, trying every keys one after the other, until one succeed.

This “automatic” authentication makes **MIFARE CLASSIC READ** instruction an interesting helper to read Mifare data easily.

Do not invoke this function if the currently activated PICC is not a Mifare Classic!

a. MIFARE CLASSIC READ using reader's keys

In this mode, the application doesn't specify anything. The **H512** tries every keys he knows (both permanent keys in E2PROM and temporary keys previously loaded in volatile memory – use **LOAD KEY** to do so) until one succeeds.

Since the reader must try all the keys, this method may take up to 1000ms. The ordering of the keys in reader's memory is very important to speed-up the process: the upper the right key is in the reader's memory, the sooner the authentication will succeed.

Note that the reader tries all “type A” keys first, and only afterwards all the “type B” keys. This behaviour has been chosen because in 95% of Mifare applications, the “type A” key is the preferred key for reading (where the “type B” key is used for writing).

MIFARE CLASSIC READ command APDU

CLA	INS	P1	P2	Lc	Data In	Le
hFF	hF3	h00	Block Number	-	-	XX

Refer to the READ BINARY command (§ 4.2.4) for response and status words.

b. MIFARE CLASSIC READ selecting a key in the reader

In this mode, the application chooses one of the key previously loaded in the **H512** through the **LOAD KEY** instruction.

MIFARE CLASSIC READ command APDU, selecting a key

CLA	INS	P1	P2	Lc	Data In		Le
hFF	hF3	h00	Block Number	h02	Key Location or Type	Key Index	XX

The understanding and values for bytes **Key location or Key type** and **Key index** are documented in § 4.2.3 (GENERAL AUTHENTICATE instruction).

Refer to the READ BINARY instruction (§ 4.2.4) for response and status words.

c. MIFARE CLASSIC READ with specified key

In this mode, the application provides the 6-B value of the key to the **H512**.

The reader tries the key as a “type A” first, and only afterwards as a “type B”.

MIFARE CLASSIC READ command APDU, with specified key

CLA	INS	P1	P2	Lc	Data In	Le
hFF	hF3	h00	Block Number	h06	Key value (6 bytes)	XX

Refer to the READ BINARY instruction (§ 4.2.4) for response and status words.

4.3.2. MIFARE CLASSIC WRITE instruction

The **MIFARE CLASSIC WRITE** instruction writes data into a Mifare Classic PICC (e.g. Mifare 1K or Mifare 4K, or Mifare Plus in level 1).

The difference with UPDATE BINARY lies in the authentication scheme:

- With the UPDATE BINARY instruction, authentication must be performed before, using the GENERAL AUTHENTICATE instruction,
- With the MIFARE CLASSIC WRITE instruction, the authentication is performed automatically by the **H512**, trying every keys one after the other, until one succeed.

This “automatic” authentication makes MIFARE CLASSIC WRITE instruction an interesting helper to write Mifare data easily.

Do not invoke this function if the currently activated PICC is not a Mifare Classic!

Important disclaimer

Writing sector trailers (security blocks) is possible as long as the sector's current access condition allows it, but Mifare sector trailers have to follow a specific formatting rule (mix-up of the access conditions bits) to be valid. Otherwise, the sector becomes permanently unusable.

Before invoking MIFARE CLASSIC WRITE, always double check that you're not writing a sector trailer, and if you really have to do so, make sure the new content is formatted as specified in the datasheet of the PICC.

a. MIFARE CLASSIC WRITE using reader's keys

In this mode, the application doesn't specify anything. The **H512** tries every key he knows (both permanent keys in E2PROM and temporary keys previously loaded in volatile memory) until one succeeds.

Since the reader must try all the keys, this method may take up to 1000ms. The ordering of the keys in reader's memory is very important to speed-up the process: the upper the right key is in the reader's memory, the sooner the authentication will succeed.

Note that the reader tries all “type B” keys first, and only afterwards all the “type A” keys. This behaviour has been chosen because in 95% of Mifare applications, the “type B” key is the preferred key for writing¹².

¹² Mifare Classic cards issued by NXP are delivered in “transport configuration”, with no “B” key and an “A” key allowed for both reading and writing. This “transport configuration” gives poorest writing performance ; card issuer must start the card personalisation process by enabling a “B” key for writing.

MIFARE CLASSIC WRITE command APDU

CLA	INS	P1	P2	Lc	Data In	Le
hFF	hF4	h00	Block Number	XX	XX ... XX	-

Lc must be a multiple of 16.

Refer to the UPDATE BINARY instruction (§ 4.2.5) for response and status words.

b. MIFARE CLASSIC WRITE selecting a key in the reader

In this mode, the application chooses one the key previously loaded in the **H512** through the **LOAD KEY** instruction.

MIFARE CLASSIC WRITE command APDU, selecting a key

CLA	INS	P1	P2	Lc	Data In	Le
hFF	hF4	h00	Block Number	XX	See below	-

MIFARE CLASSIC WRITE command APDU, selecting a key: Data In bytes

Bytes 0 to Lc-3	Byte Lc-2	Byte Lc-1
Data to be written (multiple of 16 bytes)	Key Location or Type	Key Index

The understanding and values for bytes **Key location or Key type** and **Key index** are documented in § 4.2.3 (GENERAL AUTHENTICATE instruction).

Refer to the UPDATE BINARY instruction (§ 4.2.5) for response and status words.

c. MIFARE CLASSIC WRITE with specified key

In this mode, the application provides the key to the **H512**.

The reader tries the key as a “type B” first, and only afterwards as a “type A”.

MIFARE CLASSIC WRITE command APDU, with specified key

CLA	INS	P1	P2	Lc	Data In	Le
hFF	hF4	h00	Block Number	XX	See below	-

MIFARE CLASSIC WRITE command APDU, with specified key: Data In Bytes

Bytes 0 to Lc-7	Bytes Lc-6 to Lc-1
Data to be written (multiple of 16 bytes)	Key value (6 bytes)

$Lc = 6 + 16 \times (\text{number of blocks to be written})$.

Refer to the UPDATE BINARY instruction (§ 4.2.5) for response and status words.

4.3.3. MIFARE CLASSIC VALUE instruction

The **MIFARE CLASSIC VALUE** instruction makes it possible to invoke the DECREMENT, INCREMENT, and RESTORE functions of a Mifare Classic PICC (e.g. Mifare 1K or Mifare 4K, or Mifare Plus in level 1), followed by a TRANSFER function.

The DECREMENT, INCREMENT, RESTORE (and TRANSFER) functions could be performed only on the blocks that have been formatted as VALUE block in the sector trailer (access condition bits). Do not invoke this function on DATA blocks, and do not invoke this function if the currently activated PICC is not a Mifare Classic!

MIFARE CLASSIC VALUE opcodes, operand, and transfer address

The P1 parameter in the **MIFARE CLASSIC VALUE** command APDU in the PICCs' operation code (*opcode*), as defined in Mifare Classic specification. Allowed values are:

- ${}_hC1$ for INCREMENT
- ${}_hC0$ for DECREMENT
- ${}_hC2$ for RESTORE

All three operations requires an operand. The operand is a 4-byte signed integer.

- INCREMENT operation: the operand must be > 0 (between ${}_h00000001$ and ${}_h7FFFFFFF$). The operand is added to the current value of the source block, and the result is kept by the PICC in a register,
- DECREMENT operation: the operand must be > 0 (between ${}_h00000001$ and ${}_h7FFFFFFF$). The operand is subtracted from the current value of the source block, and the result is kept by the PICC in a register,
- RESTORE operation: the operand must be 0 (${}_h00000000$). The PICC copies the current value of the source block into a register.

After the INCREMENT, DECREMENT or RESTORE operation has been performed by the PICC, the **H512** invokes the TRANSFER operation: the value of the register is written into a target block.

- If the destination block number is not the same as the source block number, the original value remains unchanged in the source block (this is a sort of "backup" feature),
- If the destination block number is the same as the source block number, or not destination block number is defined, then the source block is overwritten with the new value.

a. MIFARE CLASSIC VALUE using reader's keys

In this mode, the application doesn't specify anything. The **H512** tries every keys he knows (both permanent keys in E2PROM and temporary keys previously loaded in volatile memory) until one succeeds.

Because the reader must try all the keys, this method can take up to 1000ms. The ordering of the keys in reader's memory is very important to speed-up the process: the upper the right key is in the reader's memory, the sooner the authentication will succeed.

For DECREMENT and RESTORE operations, the reader tries all "type A" keys first, and only afterwards all the "type B" keys.

For INCREMENT operation, the reader tries all "type B" keys first, and only afterwards all the "type A" keys.

The destination block could optionally be specified at the end of the command APDU. If not, the source block is overwritten by the TRANSFER operation.

MIFARE CLASSIC VALUE command APDU, using reader's key, without backup

CLA	INS	P1	P2	Lc	Data In	Le
hFF	hF5	Opcode	Source block	h04	Operand (4B – MSB first)	-

MIFARE CLASSIC VALUE command APDU, using reader's key, with backup

CLA	INS	P1	P2	Lc	Data In	Le
hFF	hF5	Opcode	Source block	h05	Operand (4B – MSB first)	Dest. block -

Refer to the UPDATE BINARY instruction (§ 4.2.5) for response and status words.

b. MIFARE CLASSIC VALUE selecting a key in the reader

In this mode, the application chooses one the key previously loaded in the H512 through the **LOAD KEY** instruction.

The destination block could optionally be specified at the end of the command APDU. If not, the source block is overwritten by the **TRANSFER** operation.

MIFARE CLASSIC VALUE command APDU, selecting a key, without backup

CLA	INS	P1	P2	Lc	Data In			Le
hFF	hF5	Opcode	Source block	h06	Operand (4B – MSB first)	Key location or Type	Key index	-

MIFARE CLASSIC VALUE command APDU, selecting a key, with backup

CLA	INS	P1	P2	Lc	Data In				Le
hFF	hF5	Opcode	Source block	h07	Operand (4B – MSB first)	Key location or Type	Key index	Dest. block	-

The understanding and values for bytes **Key location or Key type** and **Key index** are documented in § 4.2.3 (GENERAL AUTHENTICATE instruction).

Refer to the UPDATE BINARY instruction (§ 4.2.5) for response and status words.

c. MIFARE CLASSIC VALUE with specified key

In this mode, the application provides the key to the **H512**.

For DECREMENT and RESTORE operations, the reader tries the key as a “type A” first, and only afterwards as a “type B”.

For INCREMENT operation, the reader tries the key as a “type B” first, and only afterwards as a “type A”.

The destination block could optionally be specified at the end of the command APDU. If not, the source block is overwritten by the TRANSFER operation.

MIFARE CLASSIC VALUE command APDU, key specified, without backup

CLA	INS	P1	P2	Lc	Data In		Le
hFF	hF5	Opcode	Source block	h0A	Operand (4B – MSB first)	Key value (6B)	-

MIFARE CLASSIC VALUE command APDU, key specified, with backup

CLA	INS	P1	P2	Lc	Data In			Le
hFF	hF5	Opcode	Source block	h0B	Operand (4B – MSB first)	Key value (6B)	Dest. block	-

Refer to the UPDATE BINARY instruction (§ 4.2.5) for response and status words.

4.3.4. CONTACTLESS SLOT CONTROL instruction

The **CONTACTLESS SLOT CONTROL** instruction allows pausing and resuming the card tracking mechanism of the **contactless slot**.

This is useful because card tracking implies sending commands to the PICC periodically (and watch-out its answer). Such commands may have unwanted side-effects, such as breaking the atomicity between a pair of commands. Switching the card tracking mechanism OFF during the transaction with solve this problem.

SLOT CONTROL command APDU

CLA	INS	P1	P2	Lc	Data In	Le
hFF	hFB	See below	See below	-	-	-

SLOT CONTROL command parameters

P1	P2	Action	
h00	h00	Resume the card tracking mechanism	
h01	h00	Suspend the card tracking mechanism	
h10	h00	Stop the RF field	
h10	h01	Start the RF field	
h10	h02	Reset the RF field (10ms pause)	
h20	h00	T=CL de-activation (DESELECT ¹³)	
h20	h01	T=CL activation of ISO 14443-A card (RATS)	
h20	h02	T=CL activation of ISO 14443-B card (Attrib)	
h20	h04	Disable the next T=CL activation ¹⁴	
h20	h05	Disable every T=CL activation (until reset of the H512)	
h20	h06	Enable T=CL activation again	
h20	h07	Disable the next T=CL activation and force a RF reset	
hFC	xx	Felica runtime parameters, see § 4.3.5 below	
hDE	hAD	Stop the slot NOTE: a stopped slot is not available to <i>SCardConnect</i> any more. It may be restarted only through an <i>SCardControl</i> command.	

¹³ Or DISC for Innovatron cards. This makes it possible to operate ISO 14443-4 compliant cards at ISO 14443-3 level. No CARD INSERTED event is triggered, so the ATR of the card stays unchanged.

¹⁴ Upon DISCONNECT, the CARD REMOVED event fires, then the CARD INSERTED event. A new ATR is computed, and reflects that the card runs at ISO 14443-3 level.

SLOT CONTROL response

Data Out	SW1	SW2
-	See below	

SLOT CONTROL status word

SW1	SW2	Meaning
$\text{h}90$	$\text{h}00$	Success

4.3.5. SET FELICA RUNTIME PARAMETERS instruction

Working with Felica (Lite) cards or NFC Type 3 Tags involves 4 parameters:

- The *SYSTEM CODE* is sent by the **H512** during the JIS:X6319-4 polling loop (SENSF_REQ) to specify which family of cards may answer. The value $\text{h}FFFF$ allows any card to answer,
- The *REQUEST CODE* is sent by the **H512** during the JIS:X6319-4 polling loop (SENSF_REQ) to get technical data from the cards, and not only their IDm/PPm. The value $\text{h}00$ prevent the card from sending technical data,
- A first *SERVICE CODE* is a mandatory parameter used during read operations (READ BINARY instruction) to tell the card which “service” is accessed. The value $\text{h}000B$ has been assigned by the NFC Forum to give (read) access to a type 3 Tag's NDEF record,
- Another *SERVICE CODE* is a mandatory parameter used during write operations (UPDATE BINARY instruction) to tell the card which “service” is accessed. The value $\text{h}0009$ has been assigned by the NFC Forum to give write access to a type 3 Tag's NDEF record.

The values emphasized in the above paragraph are the **H512**'s default values. They could be updated permanently thanks to the *WRITE REGISTER* command (§ 6.3.5) applied to the $\text{h}CF$ configuration register (§ 11.5.1).

Alternatively, those values may be changed dynamically using a simple APDU command in the *SCardTransmit* stream, as depicted in the paragraphs below.

a. SERVICE CODE for the READ BINARY instruction

SET FELICA SERVICE READ command APDU

CLA	INS	P1	P2	Lc	Data In	Le
$\text{h}FF$	$\text{h}FB$	$\text{h}FC$	$\text{h}01$	$\text{h}02$	Service Code to be used by the READ BINARY instruction (2 bytes, MSB first)	-

b. SERVICE CODE for the UPDATE BINARY instruction

SET FELICA SERVICE WRITE command APDU

CLA	INS	P1	P2	Lc	Data In	Le
hFF	hFB	hFC	h02	h02	Service Code to be used by the UPDATE BINARY instruction (2 bytes, MSB first)	-

c. SERVICE CODE for both READ BINARY and UPDATE BINARY instructions

SET FELICA SERVICES command APDU

CLA	INS	P1	P2	Lc	Data In	Le
hFF	hFB	hFC	h03	h02	Service Code to be used both by the READ BINARY and UPDATE BINARY instructions (2 bytes, MSB first)	-

d. SYSTEM CODE and REQUEST code for Felica polling

SET FELICA SYSTEM CODE command APDU

CLA	INS	P1	P2	Lc	Data In	Le
hFF	hFB	hFC	h10	h02	System Code to be used during JIS:X6319-4 polling (SC in SENS_REQ) (2 bytes, MSB first)	-

SET FELICA REQUEST CODE command APDU

CLA	INS	P1	P2	Lc	Data In	Le
hFF	hFB	hFC	h11	h01	Request Code to be used during JIS:X6319-4 polling (RC in SENS_REQ) (1 byte)	-

4.3.6. ENCAPSULATE instruction

The **ENCAPSULATE** instruction has been designed to help the applications access to PICC that don't comply with ISO 7816-4.

ENCAPSULATE command APDU

CLA	INS	P1	P2	Lc	Data In	Le
hFF	hFE	See below	See below	XX	Frame to send to the PICC	XX

ENCAPSULATE command parameter P1

P1	Standard communication protocols
h00	For ISO 14443-4 (A or B) PICCs : send the frame in the T=CL stream ¹⁵ . Data In shall not include PCB, CID, NAD nor CRC fields For ISO 18092 targets : send the frame DEP_REQ/DEP_RES stream. Data In shall not include PFB, DID, NAD nor CRC fields
h01	Send the frame "as is" using the ISO 14443-3 A protocol @ 106 kbit/s. The standard parity bits are added (and checked in return) by the H512. The standard CRC is added (and checked in return) by the H512.
h02	Send the frame "as is" using the ISO 14443-3 B protocol @ 106 kbit/s. The standard CRC is added (and checked in return) by the H512.
h03	Send the frame "as is" using the JIS:X6319-4 protocol @ 212 kbit/s. The standard CRC is added (and checked in return) by the H512.
h07	Send the frame "as is" using the JIS:X6319-4 protocol @ 424 kbit/s. The standard CRC is added (and checked in return) by the H512.

.../...

¹⁵ This is the only way to send commands to a T=CL PICC that doesn't comply with the ISO 7816-4 APDU formatting, for instance a Desfire 0.4.

P1	Non-standard communication
h09	Send the frame "as is" using the ISO 14443-3 A modulation @ 106 kbit/s. The standard parity bits are added (and checked in return) by the H512, but the CRC is <u>not</u> added (and not checked) by the H512 → the application must append the CRC to Data In and check it in Data Out.
h0A	Send the frame "as is" using the ISO 14443-3 B modulation @ 106 kbit/s. The CRC is <u>not</u> added (and not checked) by the H512 → the application must append the CRC to Data In and check it in Data Out.
P1	Mifare low level communication ¹⁶
h0F	Send the frame "as is" using the ISO 14443-3 A modulation. The CRC is <u>not</u> added (and not checked) by the H512 → the application must append the CRC to Data In and check it in Data Out. The parity bits are <u>not</u> added (and not checked) by the H512 → the application must provide a valid stream, including the parity bits). The last byte is complete (8 bits will be sent)
h1F	Same as h0F, but only 1 bit of the last byte will be sent
h2F	Same as h0F, but only 2 bits of the last byte will be sent
h3F	Same as h0F, but only 3 bits of the last byte will be sent
h4F	Same as h0F, but only 4 bits of the last byte will be sent
h5F	Same as h0F, but only 5 bits of the last byte will be sent
h6F	Same as h0F, but only 6 bits of the last byte will be sent
h7F	Same as h0F, but only 7 bits of the last byte will be sent

¹⁶ The above values allow an application to transmit "ciphered" Mifare frames (the CRYPTO1 stream cipher makes a non-standard use of the parity bits and CRC). The number of valid bits in the last byte of card's answer will be reported in SW2.

ENCAPSULATE command parameter P2

P2 encodes the frame timeout.

P2	Timeout value
h-0	If P1 = h00, use the default timeout defined by the PICC or the target (T=CL: card's FWT) If P1 ≠ h00, this value shall not be used
h-1	Timeout = 106 ETU ≈ 1ms
h-2	Timeout = 212 ETU ≈ 2ms
h-3	Timeout = 424 ETU ≈ 4ms
h-4	Timeout = 848 ETU ≈ 8ms
h-5	Timeout = 1696 ETU ≈ 16ms
h-6	Timeout = 3392 ETU ≈ 32ms
h-7	Timeout = 6784 ETU ≈ 65ms
h-8	Timeout = 13568 ETU ≈ 0,125s
h-9	Timeout = 27136 ETU ≈ 0,250s
h-A	Timeout = 54272 ETU ≈ 0,500s
h-B	Timeout = 108544 ETU ≈ 1s
h-C	Timeout = 217088 ETU ≈ 2s
h-D	Timeout = 434176 ETU ≈ 4s
h0-	Set status word = h6F XX , XX being the contactless specific error
h8-	Set status word = h63 00 on any contactless specific error

ENCAPSULATE response

Data Out	SW1	SW2
Frame received from the PICC or target	See below	

ENCAPSULATE status word

SW1	SW2	Meaning
h_{90}	h_{00}	Success - last byte of Data Out has 8 valid bits
h_{90}	h_{01}	Success - last byte of Data Out has 1 valid bits
h_{90}	h_{02}	Success - last byte of Data Out has 2 valid bits
h_{90}	h_{03}	Success - last byte of Data Out has 3 valid bits
h_{90}	h_{04}	Success - last byte of Data Out has 4 valid bits
h_{90}	h_{05}	Success - last byte of Data Out has 5 valid bits
h_{90}	h_{06}	Success - last byte of Data Out has 6 valid bits
h_{90}	h_{07}	Success - last byte of Data Out has 7 valid bits
h_{6F}	XX	Error reported by the contactless interface (only allowed if high-order bit of P2 is 0). See chapter 6 for the list of possible values and their meaning.
h_{63}	h_{00}	Error reported by the contactless interface (when high-order bit of P2 is 1).
h_{62}	h_{82}	Le is greater than actual response from PICC
h_{6C}	XX	Le is shorter than actual response from PICC

4.4. OTHER VENDOR SPECIFIC INSTRUCTIONS

4.4.1. READER CONTROL instruction

The **READER CONTROL** instruction allows driving the global behaviour of the **H512** (LEDs, buzzer, etc. depending on product physical characteristics).

For advanced operation, or if you want to interact with the **H512** even when there's no card inserted, use *SCardControl* instead (see chapter 6).

READER CONTROL command APDU

CLA	INS	P1	P2	Lc	Data In	Le
<code>hFF</code>	<code>hF0</code>	<code>h00</code>	<code>h00</code>	See below	See below	See below

a. Driving reader's LEDs

For a reader with only red and green LEDs, send the APDU:

```
FF F0 00 00 03 1E <red> <green>
```

For a reader with red, green and yellow / blue LEDs, send the APDU:

```
FF F0 00 00 04 1E <red> <green> <yellow/blue>
```

Choose values for red, green and yellow/blue in this table:

<code>h00</code>	LED is switched OFF
<code>h01</code>	LED is switched ON
<code>h02</code>	LED blinks slowly
<code>h03</code>	LED is driven automatically by the H512's firmware (<i>default behaviour</i>)
<code>h04</code>	LED blinks quickly
<code>h05</code>	LED performs the "heart-beat" sequence

To go back to default (LEDs driven by the **H512**'s firmware automatically), send the APDU:

```
FF F0 00 00 01 1E
```

b. Driving reader's buzzer

Some hardware feature a single tone beeper. To start the buzzer, send the APDU:

```
FF F0 00 00 03 1C <duration MSB> <duration LSB>
```

where *duration* specifies the length of the tone, in milliseconds (max is 60000ms).

Set duration to 0000 if you need to stop the buzzer before the duration started in a previous call.

To go back to default (buzzer driven by the **H512**'s firmware automatically), send the APDU:

```
FF F0 00 00 01 1C
```

c. Others

The data block in the **READER CONTROL** instruction is forwarded "as is" to the **reader control** interpreter, as documented in chapter 6.

Therefore, every command documented in § 6.3 and starting with code `h58` may be transmitted in the *SCardTransmit* link using the **READER CONTROL** instruction, exactly as if it were transmitted in a *SCardControl* link.

Do not use this feature unless you know exactly what you are doing.

4.4.2. TEST instruction

The **TEST** instruction has been designed to test the driver and/or the applications, with arbitrary length of data (in and out).

TEST command APDU

CLA	INS	P1	P2	Lc	Data In	Le
hFF	hFD	See below	See below	XX	XX ... XX	XX

TEST command parameters

Parameter P1 specifies the length of Data Out the application wants to receive from the **H512**:

h00 : empty Data Out, only SW returned

hFF : 255 bytes of data + SW

All values between h00 and hFF are allowed

6 low-order bits of P2 specify the delay between command and response.

h00 : no delay, response comes immediately

h3F : 63 seconds between command and response

All values between 0 and 63 are allowed

2 high-order bits of P2 are RFU and must be set to 0.

TEST response

Data Out	SW1	SW2
XX ... XX	See below	

Content of Data Out is not specified, and may contain either “random” or fixed data, depending on the **H512** version and current status.

TEST status word

When 2 high-order bits of P2 are 0, the embedded APDU interpreter analyses the format of the APDU, and return appropriate status word. On the other hand, if at least one of those bits is 1, status word is fixed whatever the APDU format.

SW1	SW2	Meaning
$_{h}90$	$_{h}00$	Success, APDU correctly formatted
$_{h}67$	$_{h}00$	APDU is badly formatted (total length incoherent with Lc value)
$_{h}6A$	$_{h}82$	Le is greater than data length specified in P1
$_{h}6C$	P1	Le is shorter than data length specified in P1

5. WORKING WITH CONTACTLESS CARDS — USEFUL HINTS

5.1. RECOGNIZING AND IDENTIFYING PICC IN PC/SC ENVIRONMENT

5.1.1. ATR of an ISO 14443-4 compliant smartcard

If the PICC is with 14443 up to level 4 (“T=CL”), the H512 builds a pseudo-ATR using the standard format defined in PC/SC specification:

a. For ISO 14443-A:

Offset	Name	Value	Meaning (according to 7816-3)
0	TS	_h 3B	Direct convention
1	T0	_h 8...	Higher nibble 8 means: no TA1, no TB1, no TC1. TD1 to follow Lower nibble is the number of historical bytes (0 to 15)
2	TD1	_h 80	Higher nibble 8 means: no TA2, no TB2, no TC2. TD2 to follow Lower nibble 0 means: protocol T=0
3	TD2	_h 01	Higher nibble 8 means: no TA3, no TB3, no TC3, no TD3 Lower nibble 1 means: protocol T=1
4	H1	...	Historical bytes from ATS response
...	...		
3+k	Hk		
4+k	TCK	XX	Checksum (XOR of bytes 1 to 3+k)

b. For ISO 14443-B:

Offset	Name	Value	Meaning (according to 7816-3)
0	TS	_h 3B	Direct convention
1	T0	_h 88	Higher nibble 8 means: no TA1, no TB1, no TC1. TD1 to follow Lower nibble is the number of historical bytes (8)
2	TD1	_h 80	Higher nibble 8 means: no TA2, no TB2, no TC2. TD2 to follow Lower nibble 0 means: protocol T=0
3	TD2	_h 01	Higher nibble 8 means: no TA3, no TB3, no TC3, no TD3 Lower nibble 1 means: protocol T=1
4	H1	...	Application data from ATQB
5	H2		
6	H3		
7	H4		

8	H5	...	Protocol info byte from ATQB
9	H6		
10	H7		
11	H8	XX	MBLI from ATTRIB command
12	TCK	XX	Checksum (XOR of bytes 1 to 11)

c. For Innovatron (legacy Calypso cards)¹⁷:

Offset	Name	Value	Meaning (according to 7816-3)
0	TS	_h 3B	Direct convention
1	T0	_h 8...	Higher nibble 8 means: no TA1, no TB1, no TC1. TD1 to follow Lower nibble is the number of historical bytes (0 to 15)
2	TD1	_h 80	Higher nibble 8 means: no TA2, no TB2, no TC2. TD2 to follow Lower nibble 0 means: protocol T=0
3	TD2	_h 01	Higher nibble 8 means: no TA3, no TB3, no TC3, no TD3 Lower nibble 1 means: protocol T=1
4	H1	...	Historical bytes from REPGEN. This is the last part of the card's T=0 ATR, including its serial number ¹⁸ .
...	...		
3+k	Hk		
4+k	TCK	XX	Checksum (XOR of bytes 1 to 3+k)

Most Calypso cards are able to communicate both according to ISO 14443-B or to Innovatron protocol. The choice between the two protocols is unpredictable.

The same card will have two different ATR (one is ISO 14443-B is selected, the other if Innovatron protocol is selected). The host application must get and check the card's serial number¹⁹ to make sure it will not start a new transaction on the same card as earlier.

¹⁷ When bit 7 of register _hB3 is unset (and firmware version is ≥ 1.52). Otherwise, the "real" card ATR (found in REPGEN) is returned. This ATR reports that the card supports T=0 only, but the card behaves as it were T=1. This behaviour is not compliant with Microsoft's CCID driver.

¹⁸ As a consequence, all the cards have a different ATR.

5.1.2. ATR of a wired-logic PICC

For contactless memory cards and RFID tags (Mifare, CTS, etc.), the **H512** builds a pseudo-ATR using the normalized format described in PC/SC specification:

Offset	Name	Value	
0	TS	$_{h}3B$	Direct convention
1	T0	$_{h}8F$	Higher nibble 8 means: no TA1, no TB1, no TC1. TD1 to follow Lower nibble is the number of historical bytes (15)
2	TD1	$_{h}80$	Higher nibble 8 means: no TA2, no TB2, no TC2. TD2 to follow Lower nibble 0 means: protocol T=0
3	TD2	$_{h}01$	Higher nibble 8 means: no TA3, no TB3, no TC3, no TD3 Lower nibble 1 means: protocol T=1
4	H1	$_{h}80$	
5	H2	$_{h}4F$	Application identifier presence indicator
6	H3	$_{h}0C$	Length to follow (12 bytes)
7	H4	$_{h}A0$	Registered Application Provider Identifier A0 00 00 03 06 is for PC/SC workgroup
8	H5	$_{h}00$	
9	H6	$_{h}00$	
10	H7	$_{h}03$	
11	H8	$_{h}06$	
12	H9	PIX.SS	Protocol (see 5.1.4)
13	H10	PIX.NN	Card name (see 5.1.5)
14	H11		
15	H12	00	RFU
16	H13	00	
17	H14	00	
18	H15	00	
19	TCK	XX	Checksum (XOR of bytes 1 to 18)

¹⁹ Provided in the historical bytes of the ATR when the Innovatron protocol is selected, or available through the Calypso “Select Application” command.

5.1.3. Using the GET DATA instruction

With the **GET DATA** instruction (documented in § 4.2.1), the host application is able to retrieve every information needed to identify a PICC:

- Serial number (UID or PUPI),
- Protocol related values (ATQA and SAKA or ATQB, ...).

5.1.4. Contactless protocol

The **standard** byte (**PIX.SS** in PC/SC specification) is constructed as follow:

b7	b6	b5	b4	b3	b2	b1	b0	Value	Description
0	0	0	0	0	0	0	0	h00	No information given
0	0	0	0	0	0	0	1	h01	ISO 14443 A, level 1
0	0	0	0	0	0	1	0	h02	ISO 14443 A, level 2
0	0	0	0	0	0	1	1	h03	ISO 14443 A, level 3 or 4 (and Mifare) ISO 18092 @ 106 kbit/s "NFC-A"
0	0	0	0	0	1	0	1	h05	ISO 14443 B, level 1
0	0	0	0	0	1	1	0	h06	ISO 14443 B, level 2
0	0	0	0	0	1	1	1	h07	ISO 14443 B, level 3 or 4
0	0	0	0	1	0	0	1		<i>Not available in the H512</i>
0	0	0	0	1	0	1	1		<i>Not available in the H512</i>
0	0	0	1	0	0	0	1	h11	JIS:X6319-4 Felica cards ISO 18092 @ 212 or 424 kbit/s "NFC-F"

Note: **PIX.SS** is defined for both memory and micro-processor based cards, but available in the ATR for memory cards only. In the other case, use the GET DATA instruction (with parameters P1,P2=hF1,00) to get the underlying protocol used by the smartcard.

5.1.5. Contactless card name bytes

The **name** bytes (**PIX.NN** in PC/SC specification) are specified as follow:

NN	Card name	Fw
Values specified by PC/SC		
h00 h00	Unrecognised card, or card not in the list	
h00 h01	NXP Mifare Standard 1k	
h00 h02	NXP Mifare Standard 4k	
h00 h03	NXP Mifare UltraLight NFC Type 2 Tag with a capacity <= 64 bytes	
h00 h26	NXP Mifare Mini	
h00 h2F	Innovision Jewel	
h00 h30	Innovision Topaz NFC Type 1 Tag	
h00 h3A	NXP Mifare UltraLight C, NXP NTAG203 NFC Type 2 Tag with a capacity > 64 bytes	
h00 h3B	Felica NFC Type 3 Tag	
SpringCard proprietary extension²⁰		
hFF hC0	Calypso card using the Innovatron protocol	
hFF hFF	Virtual card (test only)	

Note: **PIX.NN** is specified for memory cards only. Even if the **GET DATA** instruction allows to retrieve **PIX.NN** even for micro-processor based cards (smartcards), the returned value is unspecified and shall not be used to identify the card.

²⁰ The cards in this list are not referenced by PC/SC specification at the date of writing. In case they are added to the specification, the future firmware versions will have to use the new value. It is therefore advised **not to check those values** in the applications, as they are likely to be removed in the future. Set bit 6 of configuration register hB3 (§ 11.3.2) to force **PIX.NN** = h00 h00 instead of using those proprietary values.

5.2. ISO 14443-4 PICCs

5.2.1. Desfire first version (0.4)

Since this PICC is not ISO 7816-4 compliant, the Desfire commands must be wrapped in an ENCAPSULATED instruction, with $P1=h00$ (§ 4.3.6). The **H512** translates the C-APDU into a native Desfire command, retrieve the native Desfire answer, and translates it into a valid R-APDU.

5.2.2. Desfire EV0 (0.6) and EV1

This PICC is ISO 7816-4 compliant. Native commands are wrapped into ISO 7816-4 APDUs with a card-specific $CLA = h90$. Please refer to the card's datasheet for details.

5.2.3. Calypso cards

A Calypso card is ISO 7816-4 compliant. You may work with a contactless Calypso card as if it were inserted in a contact smartcard reader.

5.3. WIRED-LOGIC PICCs BASED ON ISO 14443-A

5.3.1. Mifare Classic

The PICCs covered by this chapter are:

- Mifare 1k (NXP MF1ICS50, **PIX.NN** = $_{\text{h}}0001$),
- Mifare 4k (NXP MF1ICS70, **PIX.NN** = $_{\text{h}}0002$),
- Mifare Mini (NXP MF1ICS20, **PIX.NN** = $_{\text{h}}0026$),
- Mifare Plus (X or S) when used in level 1 (see § 5.3.2).

Please download the datasheets of the cards at www.nxp.com. Useful information are available at www.mifare.net.

All these PICCs are divided into 16-byte blocks. The blocks are grouped in sectors. At the end of every sector a specific block (“sector trailer”) is reserved for security parameters (access keys and access conditions).

Operating multi-standard PICCs as Mifare Classic

Some ISO 14443-4 compliant smartcards or NFC objects are also able to emulate Mifare Classic cards, but due to the ISO 14443-4 (T=CL) compliance, the **H512** will “hide” their Mifare **emulation mode** and make them appear as high-level smartcards.

There are 3 ways to force the **H512** to stay at Mifare level:

- Send the T=CL DESELECT command to the PICC (SLOT CONTROL instruction with $P1, P2 =_{\text{h}}20, 00$),
- Reset the RF field and temporarily disable T=CL activation (SLOT CONTROL instruction with $P1, P2 =_{\text{h}}10, 03$),
- Permanently disable T=CL activation through configuration register $_{\text{h}}B3$.

a. READ BINARY instruction

In the READ BINARY command APDU,

- P1 must be $_{\text{h}}00$,
- P2 is the address of the first block to be read (0 to 63 for a Mifare 1k, 0 to 255 for a Mifare 4k),

Since the size of every block is 16, Le must be a multiple of 16,

- When $Le =_{\text{h}}00$ and the address is aligned on a sector boundary, all the data blocks of the sector are returned (48 or 240 bytes),

- When $Le = \text{h}00$ and the address is not aligned, a single block is returned (16 bytes).

Note that when a sector trailer (security block) is read, the keys are not readable (they are masked by the PICC).

The **READ BINARY** instruction can't cross sector boundaries ; the **GENERAL AUTHENTICATE** instruction must be called for each sector immediately before **READ BINARY**.

Using the MIFARE CLASSIC READ instruction (§ 3.3.5) is easier and may shorten the transaction time.

b. UPDATE BINARY instruction

In the UPDATE BINARY command APDU,

- P1 must be $\text{h}00$,
- P2 is the address of the first block to be written (1 to 63 for a Mifare 1k, 1 to 255 for a Mifare 4k),

Since the size of every block is 16, Lc must be a multiple of 16 (48 bytes for standard sectors, 240 bytes for the largest sectors in Mifare 4k).

The UPDATE BINARY instruction can't cross sector boundaries ; the **GENERAL AUTHENTICATE** instruction must be called for each sector immediately before UPDATE BINARY.

Important disclaimer

Writing sector trailers (security blocks) is possible as long as the sector's current access condition allows it, but Mifare sector trailers have to follow a specific formatting rule (mix-up of the access conditions bits) to be valid. Otherwise, the sector becomes permanently unusable. Before invoking MIFARE CLASSIC WRITE, always double check that you're not writing a sector trailer. If you really have to do so, make sure the new content is formatted as specified in the datasheet of the PICC.

Using the MIFARE CLASSIC WRITE instruction (§ 4.3.2) is easier and may shorten the transaction time.

c. Specific instructions for Mifare Classic

3 specific instructions exist to work with Mifare Classic PICCs:

- MIFARE CLASSIC READ, see § 4.3.1,
- MIFARE CLASSIC WRITE, see § 4.3.2,
- MIFARE CLASSIC VALUE (implementing INCREMENT, DECREMENT and RESTORE followed by TRANSFER), see § 4.3.3.

5.3.2. Mifare Plus X and Mifare Plus S

Please download the datasheets of the cards at www.nxp.com.

The **Mifare Plus** implements 4 different security levels. The behaviour of the card changes dramatically with the selected security level.

*SpringCard has developed the PCSC_MIFPLUS software library (available as source code and as pre-compiled DLL in the SDK) to help working with **Mifare Plus** cards without going down at the APDU level and without the need to implement the security scheme by yourself.*

For the documentation of this API, go to

http://www.springcard.com/support/apidoc/pcsc_mifplus/index.html

a. Level 0

At level 0, the PICC is ISO 14443-4 (T=CL) compliant. The **H512** builds a smartcard ATR according to § 5.1.1. The historical bytes of the ATS are included in the ATR and help recognizing the card at this level.

As the PICC is not ISO 7816-4 compliant, the commands shall be sent wrapped in an ENCAPSULATED instruction with $P1=h00$ (§ 4.3.6).

At the end of the personalisation process, the RF field must be reset (so the PICC will restart at Level 1 or more). Send the SLOT CONTROL instruction with $P1,P2=h10,02$ to do so (§ 4.3.4)²¹.

b. Level 1

At level 1, the PICC emulates a Mifare Classic (§ 5.3.1). The **H512** builds a memory card ATR according to § 5.1.1.

The application shall use the MIFARE CLASSIC READ and MIFARE CLASSIC WRITE instructions to work with the card at this level.

The PICC supports a new AES authentication Function. Use the ENCAPSULATE instruction with $P1=h01$ (§ 4.3.6) to implement this function.

In order to increase the security level of the card (going to level 2 or level 3), an ISO 14443-4 (T=CL) session must be manually started, even if the PICC announces that it is not T=CL compliant. Send the SLOT CONTROL instruction with $P1,P2=h20,01$ to do so (§ 4.3.4). Afterwards, process as documented for level 0.

c. Level 2

The level 2 is not available on Mifare Plus S.

²¹ As a consequence, the card will be reported as REMOVED, then a new CARD INSERT event will be triggered (but with a different ATR as the security level is different).

Working with the **Mifare Plus X** at this level is possible thanks to the low level instruction calls (SLOT CONTROL, ENCAPSULATE) but it is not implemented in the **H512** (and not supported by our software library).

d. Level 3

At level 3, the PICC is ISO 14443-4 (T=CL) compliant. The **H512** builds a smartcard ATR according to § 5.1.1. The historical bytes of the ATS are included in the ATR and help recognizing the card at this level.

Since the card is not ISO 7816-4 compliant, the commands shall be sent wrapped in an ENCAPSULATED instruction, with P1=_h00 (§ 4.3.6).

5.3.3. NFC Type 2 Tags - Mifare UltraLight and UltraLight C, NTAG203...

The cards covered by this chapter are:

- Mifare UL - NXP MF01CU1 (**PIX.NN = $_{\text{h}}0003$**),
- Mifare UL C - NXP MF01CU2 (**PIX.NN = $_{\text{h}}003A$**),
- Any PICC compliant with the specification of the NFC Type 2 Tag.

Please download the datasheets of the cards at www.nxp.com. Please visit www.nfcforum.org for the specification of the NFC Type 2 Tag.

All these cards are divided into 4-byte *pages*. It is possible to write only 1 page at once, but reading is generally done 4 pages by 4 pages (16 bytes). A NFC Type 2 Tag could also be optionally divided into sectors of 256 pages (1024 bytes).

It isn't possible to discover the actual capacity of a compliant PICC at protocol level.

If the PICC is already formatted according to the specification of the NFC Type 2 Tag, the capacity is stored among other data in the 1st OTP page (CC – capability container bytes).

In any other case, the application may find the number of pages by sending READ BINARY instruction, incrementing the address, until it fails.

Pay attention that unfortunately some PICCs do not fail but truncate the address; for instance a PICC with only 16 pages (0 to 15) may return the content of pages 0, 1, 2 and 3 when the address 16 is read. Since pages 0 and 1 store the UID (serial number) of the PICC, compare pages 16, 17 to pages 0, 1 to see that the end of the memory space has been reached.

a. READ BINARY instruction

In the **READ BINARY** command APDU,

- P1 is the sector number. It must be $_{\text{h}}00$ for PICCs that have only one sector,
- P2 is the address of the first page to be read. Please refer to the chip's datasheet to know how many pages could be addressed.

Since the size of a page is 4 bytes, Le must be multiple of 4. When $Le=_{\text{h}}00$, 4 pages are returned (16 bytes).

It is possible to read the complete data area of a Mifare UL in a single call by setting Le to $_{\text{h}}40$ (64 bytes). For Mifare UL C, the same result is achieved by setting Le to $_{\text{h}}90$ (144 bytes).

b. UPDATE BINARY instruction

In the UPDATE BINARY command APDU,

- P1 is the sector number. It must be $_{h}00$ for PICCs that have only one sector,
- P2 is the address of the (single) page to be written. Please refer to the chip's datasheet to know how many pages could be addressed.

Since the size of a page is 4 bytes, **Lc must be 4**, exactly.

Some pages may hold

- OTP (one-time-programming) bits,
- and/or lock bits that are intended to make the PICC memory read only.

Do not write on those pages without a good understanding of the consequences.

c. Mifare UltraLight C 3-DES authentication

The Mifare UltraLight C supports a 3-pass Triple-DES authentication feature.

Use the ENCAPSULATE instruction with $P1=_{h}01$ (§ 4.3.6) to implement this function.

SpringCard has developed the PCSC_MIFULC software library (available as source code and as pre-compiled DLL in the SDK) to help working with Mifare UltraLight C cards without the need to implement the security scheme by yourself.

For the documentation of this API, go to

http://www.springcard.com/support/apidoc/pcsc_mifulc/index.html

5.3.4. NFC Type 1 Tags - Innovision Topaz/Jewel

The PICCs covered by this chapter are:

- Innovision Topaz (**PIX.NN = $_{h}002F$**),
- Innovision Jewel (**PIX.NN = $_{h}0030$**),
- Any PICC compliant with the specification of the NFC Type 1 Tag.

a. READ BINARY instruction (full card)

In the READ BINARY command APDU,

- P1 must be $_{h}00$,
- P2 must be $_{h}00$,

Set $Le=_{h}00$. The whole card content is returned as once.

b. READ BINARY instruction (single byte)

In the READ BINARY command APDU,

- P1 must be $_{h}00$,
- P2 is the address of the first byte to be read (0 to 127),

Le can be any length but $_{h}01$.

Using the above READ BINARY (FULL CARD) instruction is 10 times faster than this BYTE LEVEL version.

c. UPDATE BINARY instruction (single byte)

In the UPDATE BINARY command APDU,

- P1 must be $_{h}00$,
- P2 is the address of the byte to be written (0 to 127),

Lc must be 1, exactly.

Some bytes hold:

- *OTP (one-time-programming) bits,*
- *and/or lock bits that are intended to make the PICC memory read only.*

Do not write on those bytes without a good understanding of the consequences.

5.4. OTHER NON-ISO PICCs

5.4.1. NFC Type 3 Tags / Felica

The PICCs covered by this chapter are:

- Felica Lite, Felica Lite-S (**PIX.NN = h003B**),
- Any PICC compliant with the specification of the NFC Type 3 Tag.

a. READ BINARY instruction

In the READ BINARY command APDU,

- P1 must be h00,
- P2 is the address of the first block to read.

Since the size of a block is 16 bytes, **Le must be multiple of 16** (h10). When Le=h00, a single block is returned (16 bytes).

It is possible to read up to 8 blocks at once.

The READ BINARY instruction is translated into the Felica “CHECK” command, using the current *SERVICE CODE for READ BINARY* value as the “Service Code” parameter to the command. The default value for this parameter is h000B. See § 4.3.5 if you need to change value.

b. UPDATE BINARY instruction (single byte)

In the UPDATE BINARY command APDU,

- P1 must be h00,
- P2 is the address of the (single) block to be written.

Since the size of a block is 16 bytes, **Lc must be 16** (h10), exactly.

The UPDATE BINARY instruction is translated into the Felica “UPDATE” command, using the current *SERVICE CODE for UPDATE BINARY* value as the “Service Code” parameter to the command. The default value for this parameter is h0009. See § 4.3.5 if you need to change value.

6. DIRECT CONTROL OF THE H512

6.1. BASIS

In PC/SC architecture, the **SCardControl** function implements the dialogue between an application and the reader, even when there's no card in the slot.

Access to the reader must be gained using **SCardConnect**, specifying SCARD_SHARE_DIRECT as reader sharing mode.

Not all PC/SC drivers allow the application to gain direct access to the reader. If you're using SpringCard SDD480 PC/SC driver for Windows, there's nothing specific to do, but for other drivers, a specific configuration of the driver has to be performed. Please refer to chapter 13: Annex B – activating SCardControl with the different drivers.

6.2. IMPLEMENTATION DETAILS

6.2.1. Sample code

```
#include <winscard.h>

// dwControlCode for SpringCard SDD480 driver
#define IOCTL_SC_PCSC_ESCAPE          SCARD_CTL_CODE(2048)
// dwControlCode for Microsoft CCID drivers
#define IOCTL_MS_PCSC_ESCAPE          SCARD_CTL_CODE(3050)

// This function is a wrapper around SCardControl
// It creates its own PC/SC context for convenience, but you
// may remain into a previously open context

// Note: Use SCardListReaders to get reader_name

LONG reader_control(const char *reader_name,
                   const BYTE in_buffer[],
                   DWORD in_length,
                   BYTE out_buffer[],
                   DWORD max_out_length,
                   DWORD *got_out_length)
{
    SCARDCONTEXT hContext;
    SCARDHANDLE hCard;

    LONG rc;
    DWORD dwProtocol;

    rc = SCardEstablishContext(SCARD_SCOPE_SYSTEM,
                              NULL,
                              NULL,
                              &hContext);

    if (rc != SCARD_S_SUCCESS)
        return rc;
}
```

```
// get a direct connection to the reader
// this must succeed even when there's no card

rc = SCardConnect(hContext,
                  reader_name,
                  SCARD_SHARE_DIRECT,
                  0,
                  &hCard,
                  &dwProtocol);
if (rc != SCARD_S_SUCCESS)
{
    SCardReleaseContext(hContext);
    return rc;
}

// direct control through SCardControl
// dwControlCode for SpringCard SDD480 driver

rc = SCardControl(hCard,
                  IOCTL_SC_PCSC_ESCAPE,
                  in_buffer,
                  in_length,
                  out_buffer,
                  max_out_length,
                  got_out_length);

if ((rc == ERROR_INVALID_FUNCTION)
    || (rc == ERROR_NOT_SUPPORTED)
    || (rc == RPC_X_BAD_STUB_DATA))
{
    // direct control through SCardControl
    // dwControlCode for Microsoft CCID drivers

    rc = SCardControl(hCard,
                      IOCTL_MS_PCSC_ESCAPE,
                      in_buffer,
                      in_length,
                      out_buffer,
                      max_out_length,
                      got_out_length);
}

// close the connection
// the dwDisposition parameter is coherent with the fact
// that we didn't do anything with the card (or that there's
// no card in the reader)

SCardDisconnect(hCard, SCARD_LEAVE_CARD);
SCardReleaseContext(hContext);

return rc;
}
```

6.2.2. [Link to K531/K632/SpringProx/CSB legacy protocol](#)

Sending an escape sequence through *SCardControl* (with appropriate value for *dwControlCode*) is exactly the same as sending a “legacy command” to a **SpringCard** reader running in **legacy mode**.

The detailed reference of all the command supported by our readers is available in **SpringCard CSB4, K531, K632** or **K663** development kits. The paragraphs below depict only a subset of the whole function list, but the functions listed here are the most useful in the PC/SC context.

6.2.3. [Format of response, return codes](#)

When dialogue with the **H512** has been performed successfully, *SCardControl* returns `SCARD_S_SUCCESS`, and at least one byte is returned in `out_buffer` (at position 0).

The value of this byte is the actual status code of the reader : `h00` on success, a non-zero value upon error. The complete list of the **H512**'s error codes is given in chapter 12: Annex A – Specific error codes.

When there's some data available, the data is returned at position 1 in `out_buffer`.

6.2.4. [Redirection to the Embedded APDU Interpreter](#)

SCardControl buffers starting by `hFF` (CLA byte of the Embedded APDU Interpreter) as processed as if they were received in a *SCardTransmit* stream.

6.3. LIST OF AVAILABLE CONTROL SEQUENCES

6.3.1. Action on the LEDs

a. Setting the reader's LEDs manually

For a reader with only red and green LEDs, send the sequence:

```
58 1E <red> <green>
```

For a reader with red, green and yellow / blue LEDs, send the sequence:

```
58 1E <red> <green> <yellow/blue>
```

Choose values for red, green and yellow/blue in this table:

h00	LED is switched OFF
h01	LED is switched ON
h02	LED blinks slowly
h04	LED blinks quickly
h05	LED performs the "heart-beat" sequence

Once such a command has been sent to the **H512**, the firmware no longer manages the LEDs automatically: the LEDs remain permanently in the last state specified by the application.

Use the above command to make the firmware drive the LEDs automatically again.

b. Going back to default (LEDs managed by the reader's firmware)

Send the sequence

```
58 1E
```

To go back to default mode.

6.3.2. Action on the buzzer

a. Starting/stopping the buzzer

Some hardware feature a single tone beeper. To start the buzzer, send the sequence:

```
58 1C <duration MSB> <duration LSB>
```

Where duration specifies the length of the tone, in milliseconds (max is 60000ms).

Set duration to 0 if you need to stop the buzzer before the duration started in a previous call.

Once such a command has been sent to the **H512**, the firmware no longer manages the buzzer automatically.

Use the above command to make the firmware drive the buzzer automatically again.

b. Going back to default (buzzer managed by the reader's firmware)

Send the sequence

```
58 1C
```

To go back to default mode.

6.3.3. Obtaining information on reader and slot

The sequences below are useful to retrieve textual information such as product name, slot name, etc. The numerical information (such as version, serial number) are returned as hexadecimal strings.

Remember that the returned value (if some) is prefixed by the status code (h00 on success).

a. Reader "product-wide" information

Sequence	Will return...
58 20 01	Vendor name ("SpringCard")
58 20 02	Product name
58 20 03	Product serial number
58 20 04	USB vendor ID and product ID
58 20 05	Product version

b. Slot related information

Sequence	Will return...
58 21	Name of the current slot ("Contactless")

6.3.4. Stopping / starting a slot

When a slot is stopped, the **H512**

- powers down the smartcard in the slot (if some),
- disable the slot²²,
- send the “card removed” event if there was a card in the slot.

When a slot is started again, the **H512**

- enable the slot²³,
- try to power up the smartcard in the slot (if some),
- if a card has been found, send the “card inserted” event.

a. Stopping a slot

Sequence	Will return...
58 22	Stop current slot

b. Starting a slot

Sequence	Will return...
58 23	Start current slot

²² On contactless slot, the antenna RF field is switched OFF

²³ On contactless slot, the antenna RF field is switched ON

6.3.5. Reading/writing H512's configuration registers

The **H512** features a non-volatile memory to store configuration registers.

See chapter 11 for the list of these registers, and their allowed values.

a. Reading reader's registers

To read the value of the configuration register at <index>, send the sequence:

```
58 0E <index>
```

Remember that the returned value (if some) is prefixed by the status code (`_h00` on success, `_h16` if the value is not defined in the non-volatile memory).

b. Writing reader's registers

To define the value of the configuration register at <index>, send the sequence:

```
58 0D <index> <...data...>
```

Send an empty <data> (zero-length) to erase the current value. In this case, default value will be used.

The non-volatile memory has a limited write/erase endurance.

Writing any configuration register more than 100 times may permanently damage your product.

The value of the configuration registers is loaded by the H512's firmware upon reset only. To apply the new configuration, you must reset the H512 (or cycle power).

Alternatively, you may load temporary configuration settings as explained in the next paragraph.

6.3.6. Pushing a new temporary configuration

To overrule temporarily the value of the configuration register at <index>, send the sequence:

```
58 8D <index> <...data...>
```

Send an empty <data> (zero-length) to reload the default value.

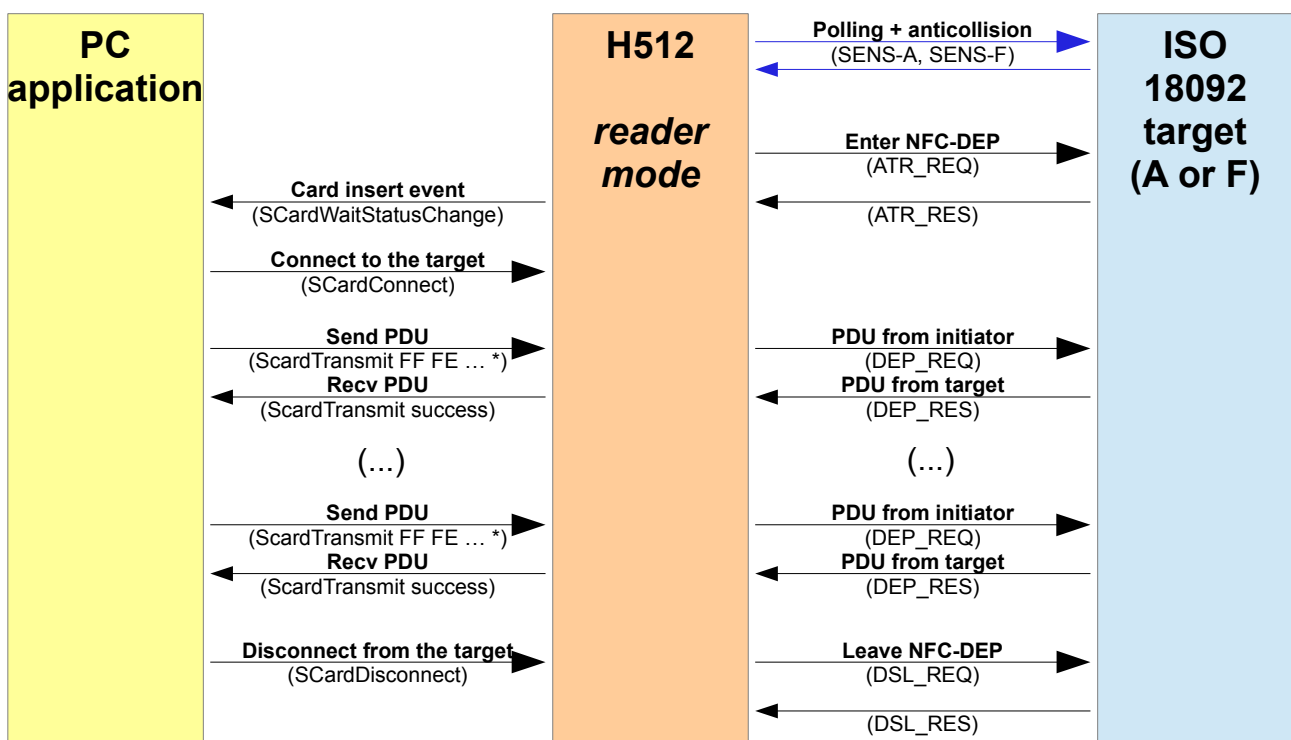
This value will be applied immediately, but on next reset the **H512** will reload its configuration registers from the non-volatile memory.

7. READER MODE: WORKING WITH A P2P TARGET

7.1. INTRODUCTION

When in **reader mode**, the **H512** is a NFC Initiator. It could activate a remote NFC Target (only the passive communication scheme is available).

The **H512** implements the ISO 18092 Transport Protocol (named NFC-DEP by the NFC Forum).



* The PDU must be ENCAPSULATED if it doesn't meet ISO 7816-4 constraints.

7.1.1. Functions performed by the H512

The **H512** handles the NFC Transport Protocol internally:

- Transmission of *ATR_REQ* when a potential NFC Target has been detected, handing of *ATR_RES*,
- Initial exchange of parameters (*PSL_RES* / *PSL_RES*) if needed,
- Fragmentation of *DEP_REQ*, chaining of *DEP_RES*,
- Detection of transmission errors and recovery procedure,
- Detection of Target removal.

7.1.2. Functions to be implemented on the PC

In the NFC Forum's architecture, NFC-DEP (ISO 18092) is seen as the low level transmission layer ("MAC") of an upper-level connection-oriented protocol called LLCP.

As the **H512** only implements ISO 18092, upper-level protocols and applications (for instance, LLCP and SNEP on top of LLCP) must be implemented by a PC application. **SpringCard SDK for PC/SC + NFC** provides various samples to do so. Please download this SDK from our web site.

Anyway, as support for LLCP must be claimed by the NFC initiator in its *ATR_REQ*, the **H512** has configurable G_i bytes, the default being the following value, compliant with LLCP:

46 66 6D 01 01 11 03 02 00 13 04 01 96

To change the G_i bytes, typically to disable LLCP, refer to § 7.3.1

7.2. MAPPING OF THE NFC FUNCTIONS INTO PC/SC FUNCTIONS

7.2.1. ATR of an ISO 18092 target

The **H512** builds a pseudo-ATR using the standard format defined in PC/SC specification:

Offset	Name	Value	Meaning (according to 7816-3)
0	TS	$_h3B$	Direct convention
1	T0	$_h8...$	Higher nibble 8 means: no TA1, no TB1, no TC1. TD1 to follow Lower nibble is the number of historical bytes (0 to 15)
2	TD1	$_h80$	Higher nibble 8 means: no TA2, no TB2, no TC2. TD2 to follow Lower nibble 0 means: protocol T=0
3	TD2	$_h01$	Higher nibble 8 means: no TA3, no TB3, no TC3, no TD3 Lower nibble 1 means: protocol T=1
4	H1	...	G_T bytes from ATR_RES
...	...		
3+k	Hk		
4+k	TCK	XX	Checksum (XOR of bytes 1 to 3+k)

The target is LLCP compliant if its G_T bytes start with

46 66 6D

7.2.2. Using SCardTransmit (ENCAPSULATE) to exchange PDUs

ENCAPSULATE command APDU = DEP_REQ

CLA	INS	P1	P2	Lc	Data In	Le
hFF	hFE	h00	h00	XX	Transport data bytes	h00

Up to 255 bytes of Transport data can be transmitted this way.

The **H512** adds the PFB (and the DID if required) and transmits a valid block. If the target's receive buffer is shorter than the actual size of the transport PDU, chained blocks are automatically. NAD is not supported.

During the reception of chained block, the **H512** re-assembles them and returns a single response. Up to 256 bytes of Transport data can be received.

ENCAPSULATE response = DEP_RES

Data Out	SW1	SW2
Transport data bytes	See below	

ENCAPSULATE status word

SW1	SW2	Meaning
h90	h00	Success
h6F	XX	Error reported by the contactless interface. See chapter 6 for the list of possible values and their meaning.
h62	h82	Le is greater than actual response from target
h6C	XX	Le is shorter than actual response from target

7.3. ADVANCED FEATURES

7.3.1. Changing the G_i bytes in the ATR_REQ

The General Bytes to be transmitted in the **H512**'s *ATR_REQ* (G_i bytes) when running in **reader mode** are stored in **register $_{h}E1$** .

If this register remains empty, the default value is:

46 66 6D	LLCP magic number
01 01 11	LLCP version 1.1
03 02 00 13	Services = LLC Link Management + SNEP (NDEF exchange protocol)
04 01 96	Link timeout = 1.5 seconds

Use the *PUSH REGISTER* command (§ 6.3.6) to set the new General Bytes before putting a new NFC target in front of the **H512**'s antenna.

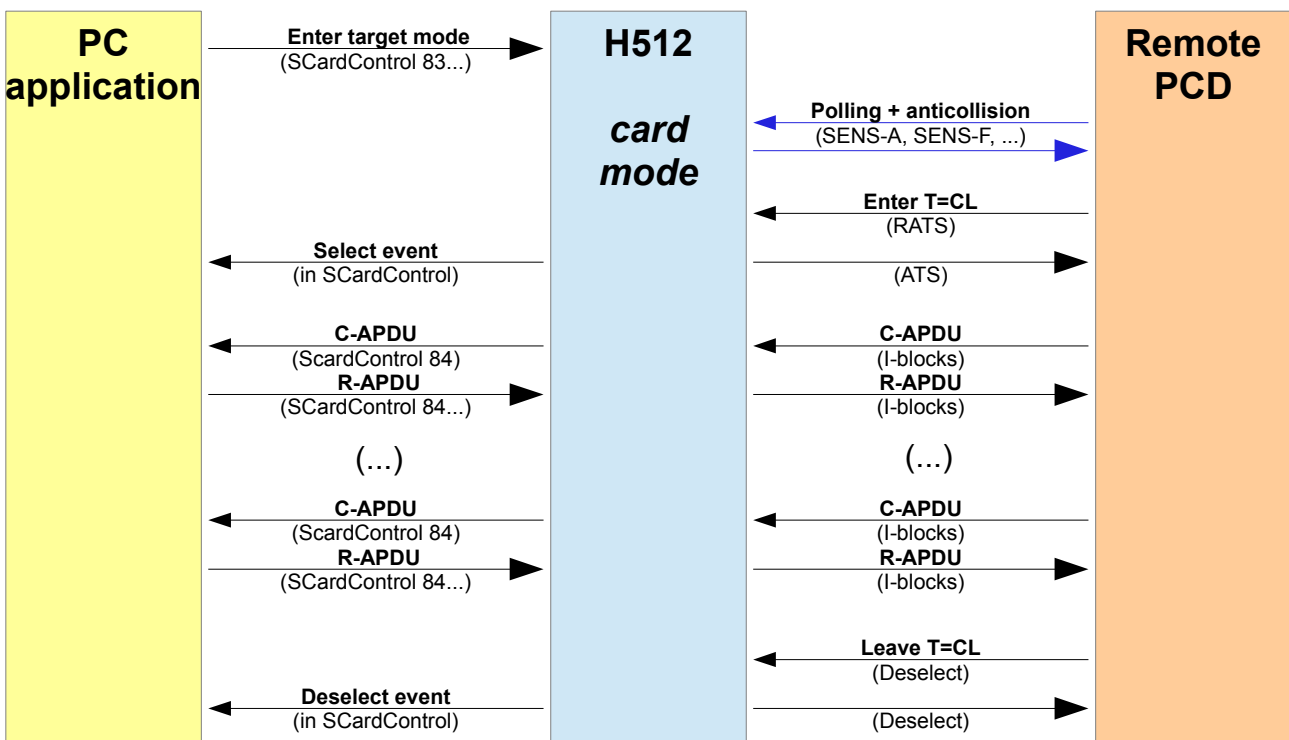
Alternatively, use the *WRITE REGISTER* command (§ 6.3.5) if you want the new configuration to be permanent. Pay attention that the non-volatile memory has a limited write endurance.

8. CARD EMULATION MODE

8.1. INTRODUCTION

8.1.1. Basis

In this mode, the **H512** is a PICC. It could be activated by a remote PCD as if it were a contactless smartcard. The emulated Card application itself has to be implemented within a PC application.



8.1.2. Understanding the difference between NFC type 4 Tag emulation and Card emulation

When the NFC type 4 Tag emulation mode is selected, the **H512** emulates a very simple contactless smartcard with only 2 files. In this mode, all the layers (protocol, command set and data storage) are performed by the **H512**. The PC application may or may not be running, it makes no difference.

On the other hand, when this Card emulation mode is selected, the **H512** implements only the protocol (ISO 14443-4, type A). The upper layers (command set and data storage) must be handled by the PC application.

This architecture allows more flexibility, as virtually any smartcard application could be implemented that way, but due to the added complexity and to the the latency of the USB and PC/SC stacks, the speed of the transaction could be dramatically low.

8.1.3. Functions performed by the H512

The **H512** handles the T=CL protocol internally:

- Compliance with ISO 14443 type A PICC up to layer 4,
- Handling of Get ATS and PPS requests,
- Handling of DESELECT request,
- Reception and transmission of I-BLOCKS, with chaining up to 280 bytes of payload,
- Management of transmission errors through R-BLOCKS,
- Use of WTX (*Wait Time eXtension*) frames to keep the remote PCD waiting until the emulated Card application could provide an answer.

8.1.4. Functions to be implemented on the PC

The PC application shall behave as a smartcard application (or card operating system + applets), working on top of the ISO 14443-4 communication channel provided by the **H512**.

Generally speaking, the smartcard application will use the APDU format and the function that are both defined by ISO 7816-4, but it is also technically possible to implement virtually any other scheme not following those rules²⁴.

²⁴ For instance, the NXP Desfire EVO is a contactless smartcard that communicates through the ISO 14443-4 protocol, but that has its a proprietary function set and a non-standard APDU format.

8.2. TECHNICAL DATA AND LIMITS

8.2.1. Characteristics of the contactless interface

Item	Value	Remark
Standard (PICC)	ISO 14443 type A up to layer 4	
CID support	yes	
NAD support	no	
Max size of incoming frame	64 bytes	ATS announces FSCI = 3
Max size of outgoing frame	64 bytes	
Max incoming baudrate	106kbit/s	ATS announces DRI = 1
Max outgoing baudrate	106kbit/s	ATS announces DSI = 1
Min SFGT	75ms	ATS announces SFGI = 8
Min FWT	75ms	ATS announces FWI = 8
APDU buffer size	280	

8.2.2. Protocol data

Data	Value	Remark
ATQ	$_{h}0344$	Same as NXP Desfire
SAK	$_{h}20$	Same as NXP Desfire
UID	Random value on 4 bytes	
ATS	$_{h}75008802$	FSCI = 5 TA1 = $_{h}00$: only 106kpbs in both directions TB1 = $_{h}88$: SFGI = FWI = 8 (≈ 77 ms) TC1 = $_{h}02$: CID supported, NAD not supported no Historical Bytes

The protocol data may be changed (see § 9.9.1 and § 9.9.2). Keeping the default values is highly recommended to remain compliant with ISO 14443-4.

8.3. ACTIVATING THE CARD EMULATION MODE

Send the following command within a *SCardControl* function call:

ACTIVATE EMULATION command

Opcode		Parameters	
h83	h10	h01	h00

ACTIVATE EMULATION response

Status
h00

8.4. IMPLEMENTING THE CARD EMULATION ON THE PC

Every command depicted in this paragraph goes through a *SCardControl* function call.

The model is event-driven: the PC application shall poll the **H512** to be notified of what is occurring on the RF interface. 4 events are defined:

- **Select:** this event occurs when the emulated Card has been selected by a remote PCD, and that the dialogue has been established successfully.
- **C-APDU ready:** this event occurs when the remote PCD has transmitted a Command APDU to the emulated Card. The PC application shall retrieve the C-APDU, handle it, and provide a R-APDU.
- **R-APDU done:** this event notifies the PC application that its last Response has been transmitted to the remote PCD.
- **Deselect:** this event occurs either when the emulated Card is deselected by the remote PCD (ISO 14443-4 DESELECT command) OR when the RF field disappears.

8.4.1. Polling the events of the emulated Card

GET EVENT command

This is a 2-B command:

Opcode	
h83	h00

When this command is invoked, the **H512** sends an *EVENT response* immediately. The event code is h00 (no event) in case there were no event in the queue.

WAIT EVENT control command

This is a 4-B command:

Opcode		Parameters	
h83	h00	<i>Time to wait</i>	
		MSB	LSB

Time to wait is a 2-B value in milliseconds. Value hFFFF is RFU and shall not be used.

When this command is invoked,

- If there's already an event in the queue, an *EVENT response* is sent immediately,
- If an event occurs before *Time to wait*, an *EVENT response* is sent as soon as the event occurs,
- If *Time to wait* is reached before an event occurs, an *EVENT response* with event code = h00 (no event).

GET EVENT or WAIT EVENT response

This is a 3-B response:

Status	Data	
h00	Event code	Flags

If the Status byte is not h00, refer to § 8.5

The EVENT CODE byte

Value	Name	Explanation
h00	No event	No event occurred since last query
h01	SELECT	
h02	C-APDU READY	
h03	R-APDU DONE	
h04	UNSELECT	

Other values are RFU (and will not be returned by the **H512**)

The FLAGS byte

This byte is RFU. The PC application shall not try to handle its content.

8.4.2. The SELECT event

The event is fired when a remote PCD is ready to send commands to the (emulated) Card application.

The application will typically reset its state machine and security status. Then the application shall wait for the next event using either *WAIT EVENT* or *GET EVENT* commands.

8.4.3. The C-APDU READY event – receiving the C-APDU

The event is fired when the **H512** has successfully received a complete ISO 14443-4 sequence from the remote PCD.

The application shall retrieve the C-APDU (command buffer) by sending the *PEEK COMMAND* command, and provide a R-APDU (response buffer) using the *POKE RESPONSE* command.

PEEK COMMAND command

This is a 1-B command:

Opco.
h84

PEEK COMMAND response

*The size of the response is 1 + the size of the command buffer received by the **H512**:*

Status	Data
h00	C-APDU

If the Status byte is not h00, refer to § 8.5

Since the **H512**'s internal APDU buffer size is 280-B long, the application must be ready to receive a response with a length up to 281 bytes. If the provided buffer is too small, the **SCardControl** function will fail and the C-APDU will be lost.

8.4.4. Sending the R-APDU

Once the application receives and processes the C-APDU, it shall provide a valid R-APDU that will be transmitted to the remote PCD using the *POKE RESPONSE* command.

Then the application shall wait for the next event using either *WAIT EVENT* or *GET EVENT* commands.

POKE RESPONSE command

The size of the command is 1 + the size of the response buffer to be transmitted:

Opco.	Data
h84	R-APDU

Since the **H512**'s internal APDU buffer size is 280-B long, the application must not try to send more than 281 bytes, including the opcode.

POKE RESPONSE response

Status
h00

If the Status byte is not h00, refer to § 8.5

8.4.5. Handling the R-APDU DONE event

This event confirms that the R-APDU has been successfully sent to the remote PCD.

This event is informative only. The application shall wait for the next event using either *WAIT EVENT* or *GET EVENT* commands.

8.4.6. Handling the DESELECT event

The event is fired when the communication channel with the remote PCD has been close for any reason:

- Explicit use of the ISO 14443-4 DESELECT command,
- Fatal protocol error,
- RF field lost.

The application shall typically cancel any pending transaction, and reset its state machine and security status. This event is informative only. Then the application shall wait for the next event using either *WAIT EVENT* or *GET EVENT* commands.

8.5. ERROR CODES AND RECOVERY ACTIONS

Status	Symbolic name ²⁵	Meaning / action
h00	MI_SUCCESS	
h03	MI_EMPTY	No C-APDU available for PEEK COMMAND. (this could occur if the H512 has been deselected, or the external RF field has disappeared, between the return of GET EVENT/WAIT EVENT and the call to PEEK COMMAND)
h13	MI_OVFLERR	RC: FIFO overflow The remote PCD is trying to send us more than 280 bytes. The communication has been terminated, and the emulation mode has been suspended. Activate the Card emulation again using ACTIVATE EMULATION command.
h3B	MI_WRONG_MODE	Command not available in this mode The opcode is not available in the current mode / the H512 is not running in the expected mode. Activate the Card emulation again using ACTIVATE EMULATION command.
h3C	MI_WRONG_PARAMETER	Reader: Invalid parameter The parameters of the command are not valid. You may try again with different parameters.
h70	MI_BUFFER_OVERFLOW	Reader: internal buffer overflow The PC application is trying to send more than 280 bytes in a <i>POKE REPONSE</i> command. Try again with a shorter buffer.
h7D	MI_WRONG_LENGTH	Reader: invalid length The length of the command is not valid. You may try again with a valid length.

Any other status code (see chapter 12 for a complete list) shall be considered as a fatal error, and the PC application shall stop using the reader.

²⁵ As used in SpringProx API (defines in springprox.h)

8.6. ADVANCED FEATURES

8.6.1. Changing the ATQ, SAK

The ISO 14443-3 protocol data (ATQ and SAK) to be used in Card emulation mode are stored in **register $_{hE3}$** .

This register must be 3-byte long.

Byte	Data	Default value	Remark
0	ATQ MSB	$_{h03}$	
1	ATQ LSB	$_{h44}$	
2	SAK	$_{h20}$	Bit 2 must be cleared Bit 5 must be set to announce ISO 14443-4 compliance

Use the *PUSH REGISTER* command (§ 6.3.6) to set the new ATQ and SAK before invoking *ACTIVATE CARD EMULATION*.

Alternatively, use the *WRITE REGISTER* command (§ 6.3.5) if you want the new configuration to be permanent. Pay attention that the non-volatile memory has a limited write endurance.

8.6.2. Changing the Historical Bytes of the ATS

The **Historical Bytes** to be transmitted at the end of ISO 14443-4 Answer To Select (ATS) in Card emulation mode are stored in **register $_{hE4}$** .

If this register remains empty, the ATS has no Historical Bytes.

Use the *PUSH REGISTER* command (§ 6.3.6) to set the new **Historical Bytes** before invoking *ACTIVATE CARD EMULATION*.

Alternatively, use the *WRITE REGISTER* command (§ 6.3.5) if you want the new configuration to be permanent. Pay attention that the non-volatile memory has a limited write endurance.

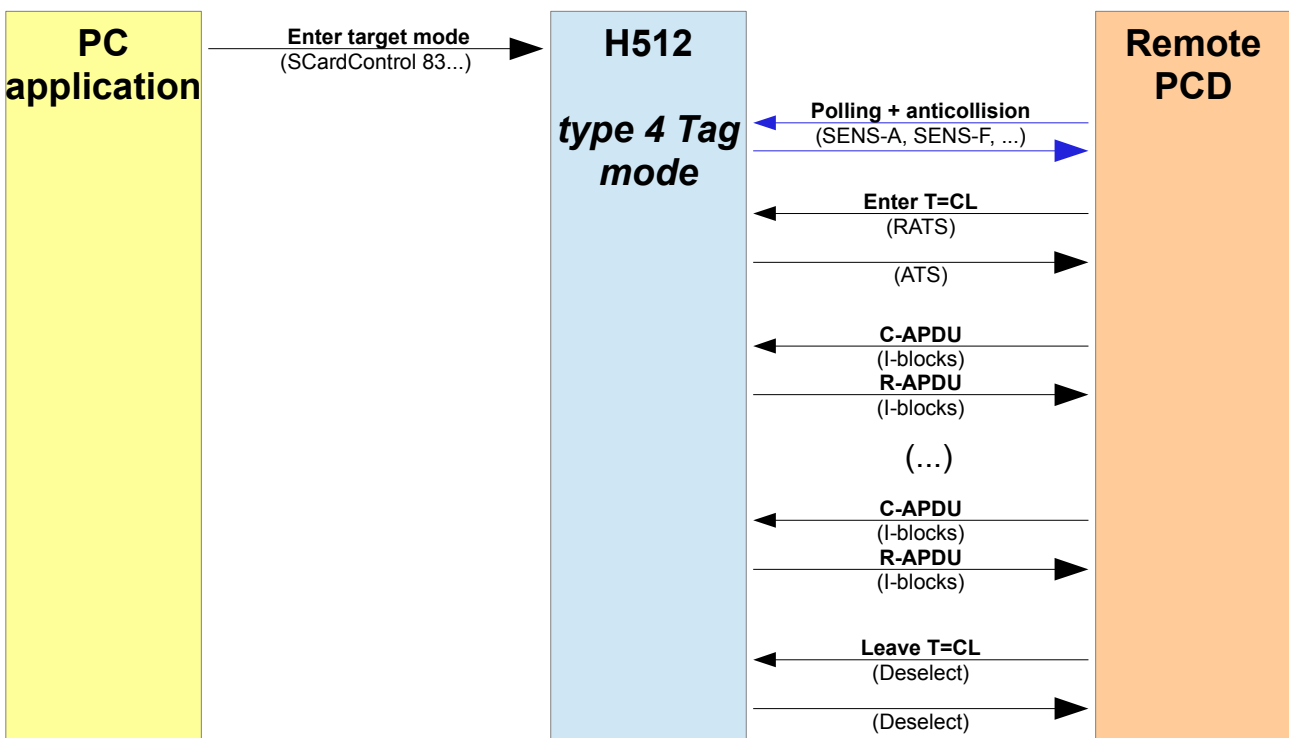
9. NFC TYPE 4 TAG EMULATION MODE

9.1. INTRODUCTION

9.1.1. Basis

In this mode, the **H512** is a PICC. It could be activated by a remote PCD (a NFC reader typically), and be processed as a **NFC Type 4 Tag**.

The Tag's data are written by a PC application, and then the **H512** emulates the Tag without further action from the application.



9.1.2. The NFC Type 4 tag specification

A NFC Type 4 Tag is

- a contactless smartcard (microprocessor-based PICC),
- communicating through the ISO 14443 type A or B protocol up to level 4,
- implementing a few APDUs defined by ISO 7816-4,
- holding data that are formatted according to the NDEF specification (NFC Data Exchange Format).

A NFC Type 4 Tag is typically used to store a large Smart Poster or a vCard.

Please refer to the relevant NFC Forum's document (NFCForum-TS-Type-4-Tag_2.0) for details.

9.1.3. Benefits of using the H512 in this mode

Running in this mode, the **H512** is seen as if it were a static Tag, with a fixed content, but is actually a dynamic Tag. This allow your application to deliver a variable content, following either a predefined event or an action from the user of the PC.

Your application could also be notified how many times the tag has been accessed.

Compared to NFC type 2 Tag emulation mode (chapter 10), the NFC type 4 Tag emulation mode is a bit more complex for the developer of the PC application, but due to a more efficient communication scheme with the remote contactless reader, the transaction speed will be better.

9.2. TECHNICAL DATA AND LIMITS

9.2.1. Characteristics of the contactless interface

Item	Value	Remark
Standard (PICC)	ISO 14443 type A up to layer 4	
CID support	yes	
NAD support	no	
Max size of incoming frame	64 bytes	ATS announces FSCI = 3
Max size of outgoing frame	64 bytes	
Max incoming baudrate	106kbit/s	ATS announces DRI = 1
Max outgoing baudrate	106kbit/s	ATS announces DSI = 1
Min SFGT	75ms	ATS announces SFGI = 8
Min FWT	75ms	ATS announces FWI = 8

9.2.2. Protocol data

Data	Value	Remark
ATQ	$h0344$	Same as NXP Desfire
SAK	$h20$	Same as NXP Desfire
UID	Random value on 4 bytes	
ATS	$h75008802$	FSCI = 5 TA1 = $h00$: only 106kpbs in both directions TB1 = $h88$: SFGI = FWI = 8 ($\approx 77ms$) TC1 = $h02$: CID supported, NAD not supported no Historical Bytes

The protocol data may be changed (see § 9.9.1 and § 9.9.2). Keeping the default values is highly recommended to remain compliant with ISO 14443-4.

9.2.3. Command set

The **H512** implements those commands according to ISO 7816-4:

- SELECT APPLICATION / SELECT FILE (INS = $_{h}A4$)
- READ BINARY (INS = $_{h}B0$)
- UPDATE BINARY (INS = $_{h}D6$)

9.3. THE NDEF APPLICATION

The AID is $_{h}D2760000850101$.

The NDEF application is selected by default.

9.4. CC FILE

The Capability Container (CC) file stores the information that are required to identify the type of Tag.

9.4.1. File identifier

The identifier of the NDEF file is $_{h}E103$.

9.4.2. Size

The size of the CC file is 15 bytes.

9.4.3. Initial content

The initial content is loaded into the CC file every time the *First activation* command (§ 9.7.1) is invoked.

Byte	Name	Initial value	Explanation
0	CCLEN	h00	Size of CC file is 15 bytes
1		h0F	
2	Version	h20	Mapping Version 2.0
3	ML _E	h00	Maximum R-APDU data size = 58
4		h3A	
5	ML _C	h00	Maximum C-APDU data size = 51
6		h33	
7	NDEF File Control T	h04	
8	NDEF File Control L	h06	
9	NDEF File Control V	hE1	The identifier of the NDEF file is hE104
10		h04	
11		h10	The size of the NDEF file is 4096 bytes
12		h00	
13		h00	Read access granted without any security
14		hFF or h00	This value depends of the parameter to the <i>First activation</i> command (see § 9.7.1) hFF: No write access granted at all (read-only) ²⁶ h00: Write access granted without any security

9.5. NDEF FILE

9.5.1. File identifier

The identifier of the NDEF file is hE104.

9.5.2. Size

The size of the CC file is 4096 bytes (4kB).

²⁶ On the contactless interface. The PC/SC interface has always a full access to the Tag's memory.

9.5.3. Initial content

Every time the *First activation* command (§ 9.7.1) is invoked, all bytes of the NDEF file are initialized to $_{h}00$.

9.6. ACCESS CONDITIONS

The byte 14 in the CC file is used to protect the Tag's content from being overwritten by a remote application. Allowed values are $_{h}00$ (Tag not protected) and $_{h}FF$ (Tag is read-only). Any other value for this byte is RFU and shall not be used.

The PC application always has a read/write access on the Tag's files.

File	Access	PC application (PC/SC interface)	Remote application (contactless interface)	
			CC.14 = $_{h}00$	CC.14 = $_{h}FF$
CC	Read	yes	yes	yes
	Write	yes	yes	no
NDEF	Read	yes	yes	yes
	Write	yes	yes	no

9.7. ACTIVATING THE NFC TYPE 4 TAG EMULATION MODE

9.7.1. First activation – Tag's content is initialized

Send the following command within a *SCardControl* function call:

FIRST ACTIVATION TYPE 4 command, CC.14 is set to $_{h}00$

Opcode		Parameters	
$_{h}83$	$_{h}10$	$_{h}04$	$_{h}11$

FIRST ACTIVATION TYPE 4 command, CC.14 is set to $_{h}FF$

Opcode		Parameters	
$_{h}83$	$_{h}10$	$_{h}04$	$_{h}12$

FIRST ACTIVATION TYPE 4 response

Status
$_{h}00$

9.7.2. Following activation – Tag's content is preserved

Send the following command within a *SCardControl* function call:

NEXT ACTIVATION TYPE 4 command

Opcode		Parameters	
h83	h10	h04	h10

NEXT ACTIVATION TYPE 4 response

Status
h00

Note: invoking the *Following activation type 4* command without having a previously invoked *First activation type 4* is an error. The content of the memory is not defined in this case.

9.8. ACCESSING THE EMULATED TAG'S CONTENT THROUGH PC/SC

9.8.1. ATR

The ATR is:

ATR
h3B 80 01 81

(T=1 protocol only, no historical bytes)

9.8.2. Selecting the application and files, reading and writing data

The emulated Tag behaves as a ISO 7816-4 smartcard. Standard *SELECT*, *READ BINARY* and *UPDATE BINARY* commands (with CLA = h00) shall be used.

Please refer to ISO 7816-4 standard, or to the NFC Forum's documentation for details.

a. Selecting the NDEF application

Use *SCardTransmit* to send the APDU:

CLA	INS	P1	P2	Lc	Data In	Le
h00	hA4	h04	h00	h07	hD2 76 00 00 85 01 01	h00

b. Selecting the CC file

Use *SCardTransmit* to send the APDU:

CLA	INS	P1	P2	Lc	Data In	Le
$_{h}00$	$_{h}A4$	$_{h}00$	$_{h}0C$	$_{h}02$	$_{H}E1 03$	-

c. Selecting the NDEF file

Use *SCardTransmit* to send the APDU:

CLA	INS	P1	P2	Lc	Data In	Le
$_{h}00$	$_{h}A4$	$_{h}00$	$_{h}0C$	$_{h}02$	$_{H}E1 04$	-

d. Reading from the currently select file

Use *SCardTransmit* to send the APDU:

CLA	INS	P1	P2	Lc	Data In	Le
$_{h}00$	$_{h}B0$	Offset MSB	Offset LSB	-	-	Length

Note: L_E shall be ≤ 58 .

e. Writing into the currently select file

Use *SCardTransmit* to send the APDU:

CLA	INS	P1	P2	Lc	Data In	Le
$_{h}00$	$_{h}D6$	Offset MSB	Offset LSB	Length	Data to be written	-

Note: L_C shall be ≤ 51 .

9.9. ADVANCED FEATURES

9.9.1. Changing the ATQ and SAK

The ISO 14443-3 protocol data (ATQ and SAK) to be used in NFC type 4 Tag emulation mode is stored in **register $hD3$** .

This register must be 3-byte long.

Byte	Data	Default value	Remark
0	ATQ MSB	$h03$	
1	ATQ LSB	$h44$	
2	SAK	$h20$	Bit 2 must be cleared Bit 5 must be set to announce ISO 14443-4 compliance

Use the *PUSH REGISTER* command (§ 6.3.6) to set the new ATQ and SAK before invoking either *FIRST ACTIVATION TYPE 4* or *NEXT ACTIVATION TYPE 4*.

Alternatively, use the *WRITE REGISTER* command (§ 6.3.5) if you want the new configuration to be permanent. Pay attention that the non-volatile memory has a limited write endurance.

9.9.2. Changing the ATS

The **Historical Bytes** to be transmitted at the end of ISO 14443-4 Answer To Select (ATS) in NFC type 4 Tag emulation mode are stored in **register $hD4$** .

If this register remains empty, the ATS has no **Historical Bytes**.

Use the *PUSH REGISTER* command (§ 6.3.6) to set the new **Historical Bytes** before invoking *ACTIVATE CARD EMULATION*.

Alternatively, use the *WRITE REGISTER* command (§ 6.3.5) if you want the new configuration to be permanent. Pay attention that the non-volatile memory has a limited write endurance.

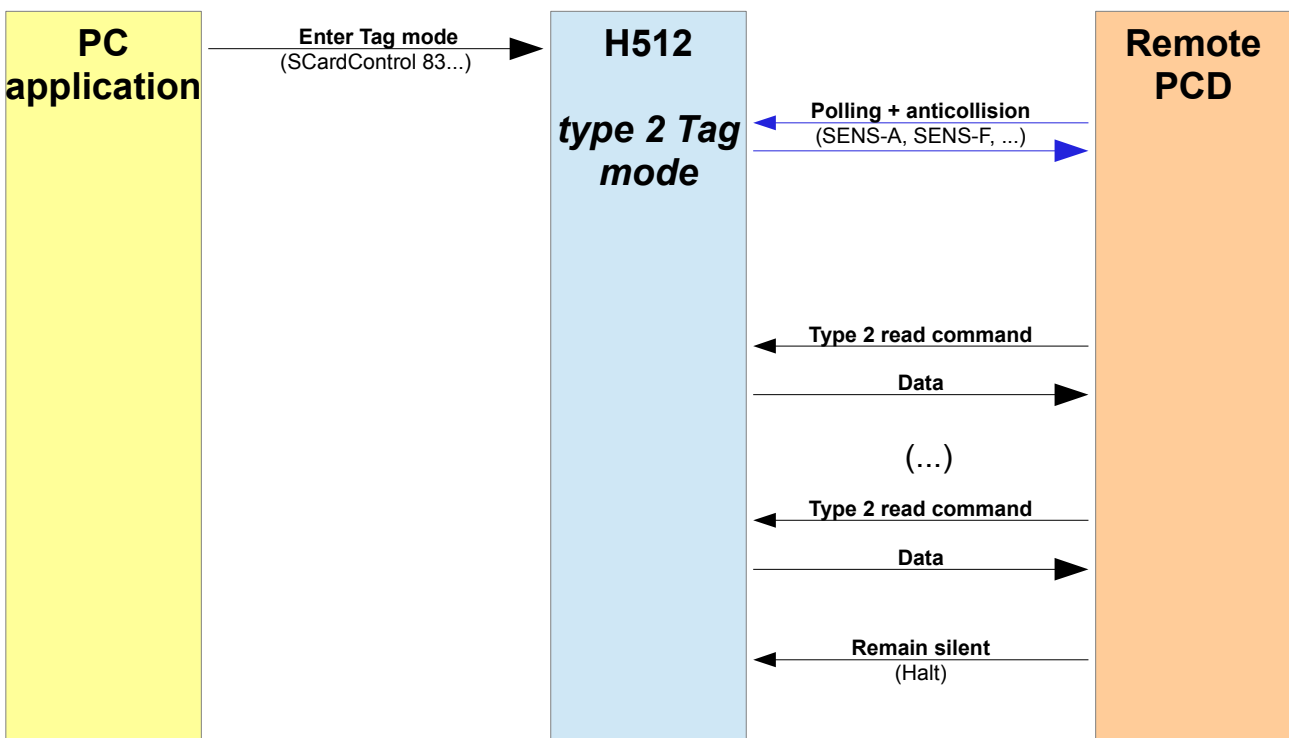
10. NFC TYPE 2 TAG EMULATION MODE

10.1. INTRODUCTION

10.1.1. Basis

In this mode, the **H512** is a PICC. It could be activated by a remote PCD (a NFC reader typically), and be processed as a **NFC Type 2 Tag**.

The Tag's data are written by a PC application, and then the **H512** emulates the Tag without further action from the application.



10.1.2. The NFC Type 2 Tag specification

A NFC Type 2 Tag is

- a contactless memory card (wired-logic PICC),
- communicating through the ISO 14443 type A protocol up to level 3,
- implementing the command set defined by NXP for the Mifare UltraLight family,
- holding data that are formatted according to the NDEF specification (NFC Data Exchange Format).

A NFC Forum type 2 tag is typically used to store an URL, or an URL plus some related information (Smart Poster format).

Please refer to the NFC Forum's relevant document (NFCForum-TS-Type-2-Tag_1.1) for details.

10.1.3. Benefits of using the H512 in this mode

Running in this mode, the **H512** behaves as a static Tag, with a fixed content. But it is actually a dynamic Tag. This allow your application to deliver a variable content, following either a predefined event or an action from the user of the PC.

Compared to NFC type 4 Tag emulation mode (chapter 9), the NFC type 2 Tag emulation mode is easier for the developer of the PC application, but the remote PCD will read the data slower. This is not an issue for small amount of data (256 bytes or less), but for large amount of data and if transaction time is a concern, NFC type 4 emulation mode shall be preferred.

10.2. TECHNICAL DATA AND LIMITING VALUES

10.2.1. Characteristics of the contactless interface

Item	Value
Standard (PICC)	ISO 14443 type A up to layer 3
Max size of incoming frame	64 bytes
Max size of outgoing frame	64 bytes

10.2.2. Protocol data

Data	Value	Remark
ATQ	_h 0044	Same as NXP Mifare UltraLight / NTAG203
SAK	_h 00	Same as NXP Mifare UltraLight / NTAG203
UID	Random value on 4 bytes	

The protocol data may be changed (see § 10.6.1). Keeping the default values is highly recommended to remain compliant with third-party NFC Tag reading applications.

10.2.3. Capacity

The capacity of the emulated Tag is 256 blocks x 4 bytes per block, i.e. a total of 1024 bytes.

The NDEF content starts on block 4, so the available size for the NDEF is 1008 bytes.

10.3. MEMORY MAPPING

10.3.1. Structure

Block #	Usage	Byte 0	Byte 1	Byte 2	Byte 3
0 h00	Not used	??	??	??	??
1 h01	Not used	??	??	??	??
2 h02	Internal / Lock	<i>Counter</i>	<i>Counter</i>	h00	h00
3 h03	Capability Container (CC)	CC0	CC1	CC2	CC3
4 h04	NDEF storage	data	data	data	data
5 h05		data	data	data	data
...		...			
255 hFF		data	data	data	data

10.3.2. Access conditions – role of CC3

CC3 is used to protect the Tag's content from being overwritten by a remote application. Allowed values are $_{h}00$ (Tag not protected) and $_{h}0F$ (Tag is read-only). Any other value for the CC3 byte is RFU and shall not be used.

The PC application always has a read/write access on the whole structure.

Blocks	Access	PC application (PC/SC interface)	Remote application (contactless interface)	
			CC3 = $_{h}00$	CC3 = $_{h}0F$
0, 1, 2	Read	yes	yes	yes
	Write	yes	no	no
3	Read	yes	yes	yes
	Write	yes	yes	no
4 to 255	Read	yes	yes	yes
	Write	yes	yes	no

10.3.3. Initial content

The initial content is loaded into the memory structure every time the *First activation* command (§ 10.4.1) is invoked.

a. Blocks 0 and 1

The initial content of these blocks is not specified and should not be used.

b. Block 2

All bytes are initialized to $_{\text{h}}00$.

c. CC block (block 3)

The CC block is initialized as follow, according to the specifications:

Byte	Initial value	Explanation
CC0	$_{\text{h}}\text{E1}$	NFC Forum "Magic Number"
CC1	$_{\text{h}}10$	Version of the specification: 1.0
CC2	$_{\text{h}}7\text{E}$	Memory size = 1008 bytes
CC3	$_{\text{h}}0\text{F}$ or $_{\text{h}}00$	This value depends of the parameter to the <i>First activation</i> command (see § 10.4.1) Read access granted without any security $_{\text{h}}0\text{F}$: No write access granted at all ²⁷ $_{\text{h}}00$: Write access granted without any security

d. NDEF data area (blocks 4 to 255)

All bytes are initialized to $_{\text{h}}00$ (blank Tag).

10.4. ACTIVATING THE NFC TYPE 2 TAG EMULATION MODE

10.4.1. First activation – Tag's content is initialized

Send the following command within a *SCardControl* function call:

²⁷ On the contactless interface. The PC/SC interface has always a full access to the Tag's memory.

FIRST ACTIVATION TYPE 2 command, CC3 is set to h00

Opcode		Parameters	
h83	h10	h02	h11

FIRST ACTIVATION TYPE 2 command, CC3 is set to h0F

Opcode		Parameters	
h83	h10	h02	h12

FIRST ACTIVATION TYPE 2 response

Status
h00

10.4.2. Following activation – Tag's content is preserved

Send the following command within a *SCardControl* function call:

NEXT ACTIVATION TYPE 2 command

Opcode		Parameters	
h83	h10	h02	h10

NEXT ACTIVATION TYPE 2 response

Status
h00

Note: invoking the *Following activation type 2* command without having a previously invoked *First activation type 2* is an error. The content of the memory is not defined in this case.

10.5. ACCESSING THE EMULATED TAG'S CONTENT THROUGH PC/SC

Once the Tag is activated (*First activation* or *Following activation*), the **H512** reports that a card has been inserted in its contactless interface. This is a virtual card that gives access to the emulated Tag through *SCardConnect* and *SCardTransmit* functions.

10.5.1. ATR

The ATR is the same as the one of a NXP Mifare UltraLight C PICC:

ATR
h3B 8F 80 01 80 4F 0C A0 00 00 03 06 03 00 3A 00 00 00 00 51

10.5.2. Reading and writing data

The emulated Tag is accessed through the Embedded APDU Interpreter's *READ BINARY* and *UPDATE BINARY* commands (CLA = hFF) as if it were a Mifare UltraLight PICC.

Refer to § 5.3.3 for details.

10.6. ADVANCED FEATURES

10.6.1. Changing the ATQ and SAK

The protocol data to be used in NFC type 2 Tag emulation mode are stored in **register hD2**.

This register must be 3-byte long.

Byte	Data	Default value	Remark
0	ATQ MSB	h00	
1	ATQ LSB	h44	
2	SAK	h00	Bits 2 and 5 must be cleared

Use the *PUSH REGISTER* command (§ 6.3.6) to set the new ATQ and SAK before invoking either *FIRST ACTIVATION TYPE 2* or *NEXT ACTIVATION TYPE 2*.

Alternatively, use the *WRITE REGISTER* command (§ 6.3.5) if you want the new configuration to be permanent. Pay attention that the non-volatile memory has a limited write endurance.

11. CONFIGURATION REGISTERS

11.1. LIST OF THE CONFIGURATION REGISTERS AVAILABLE TO THE USER

Address	Section	Name	See §
hB0	Contactless	Enabled protocols	11.4.1
hB2	PC/SC	CLA of the APDU interpreter	11.3.1
hB3	PC/SC	RF behaviour in PC/SC mode	11.3.2
hB4	Contactless	Parameters for polling	11.4.2
hC4	Contactless	Allowed baudrates in T=CL	11.4.4
hC5	Contactless	Options for T=CL	11.4.5
hC9	Contactless	Options for polling	11.4.3
hCA	Core	Configuration of the LEDs	11.2.1
hCB	Core	Options for the LEDs and GPIOs	11.2.2
hCC	Core	Behaviour of the LEDs and buzzer	11.2.3
hCF	Felica	Service Codes for Felica read/write	11.5.1
hD2	Emulation	Protocol data in Type 2 Tag emulation mode	11.7.1
hD3	Emulation	Protocol data in Type 4 Tag emulation mode	11.7.2
hD4	Emulation	ATS in Type 4 Tag emulation mode	11.7.3
hE0	NFC P2P	Protocol data in NFC target mode	11.6.1
hE1	NFC P2P	Global Bytes in ATR_REQ and ATR_RES	11.6.2
hE3	Emulation	Protocol data in Card emulation mode	11.7.4
hE4	Emulation	ATS in Card emulation mode	11.7.5

11.2. CORE CONFIGURATION

11.2.1. Configuration of the LEDs

Address: $_{h}CA$ – Size: 2 bytes

	Bit	Action if set	Note
msb	15 - 12	LED 1 $_{h}0$: color is undefined $_{h}1$: color is red $_{h}2$: color is green $_{h}3$: color is yellow $_{h}4$: color is blue	
	11 - 8	LED 2 $_{h}0$: color is undefined $_{h}1$: color is red $_{h}2$: color is green $_{h}3$: color is yellow $_{h}4$: color is blue	
	7 - 4	LED 3 $_{h}0$: color is undefined $_{h}1$: color is red $_{h}2$: color is green $_{h}3$: color is yellow $_{h}4$: color is blue	
lsb	3 - 0	LED 4 $_{h}0$: color is undefined $_{h}1$: color is red $_{h}2$: color is green $_{h}3$: color is yellow $_{h}4$: color is blue	

Default value: $_{h}0000$

11.2.2. Options for the LEDs and GPIOs

Address: hC9 – Size: 1 byte1

	Bit	Action if set	Note
msb	7	Use PWM for buzzer	
	6	RFU	
	5	RFU	
	4	RFU	
	3	Invert logic for LED 4	
	2	Invert logic for LED 3	
	1	Invert logic for LED 2	
lsb	0	Invert logic for LED 1	

Default value: h00

11.2.3. Behaviour of the LEDs and buzzer

If the reader has some LEDs, the reader shows its state (card present, card absent, error) by its LEDs. You may disable this feature by setting bit 7 of this register to 1 (the application is still able to control the LEDs as documented in § 6.3.1.a).

If the reader has a buzzer, the buzzer sounds every time a PICC is activated. The 6 low-order bytes of this register define the duration of this beep, in 10ms interval. To disable the automatic beep on card arrival, set this value to 0 (the application is still able to control the buzzer as documented in § 6.3.2).

Address: hCC – Size: 1 byte

	Bit	Values / Meaning
msb	7	1 : the H512 does signal its state on the LEDs 0 : the H512 doesn't signal its state on the LEDs
	6	RFU, must be 0
lsb	5	Duration of the automatic beep on card arrival, x 10ms (0 to 630ms) Set to h00 to disable the automatic beep

Default value: h88 (80ms beep on PICC arrival + state on LEDs)

11.3. PC/SC CONFIGURATION

11.3.1. CLA byte of APDU interpreter

This register defines the CLA (class) byte affected to the APDU interpreter (see § 4.1.1).

To disable the APDU interpreter, define this register to $_{\text{h}}00$.

Address: $_{\text{h}}\text{B2}$ – **Size:** 1 byte

Default value: $_{\text{h}}\text{FF}$

11.3.2. Behaviour of the contactless slot in PC/SC mode

This register defines the behaviour of the **H512**'s contactless slot in PC/SC mode.

Address: hB3 – Size: 1 byte

Bit	Action if set	Note
msb 7	Innovatron: return the “real” T=0 ATR (as supplied in REPGEN) instead of building a pseudo ATR	Setting this bit breaks the compatibility with MS CCID driver, because the card is connected in T=1 where its ATR claims it is T=0 only
6	Use only standard values for PIX.NN in the ATR	Numerous contactless PICCs/VICCs have not been registered by their vendor in the PC/SC specification to get a standard PIX.NN. SpringCard has defined vendor-specific values for those cards (see 5.1.5). If this bit is set, these non-standard values will not be used, and PIX.NN will be fixed to h0000 for all PICCs/VICCs that are not in the standard.
5	Disable the pause in RF field after the PICC/VICC has been removed	When the PICC/VICC stops responding, the H512 pauses its RF field for 10 to 20ms. Setting this bit disable this behaviour.
4	Disable the pause in RF field after the PICC/VICC during the polling	During the polling sequence, the H512 pauses its RF field for 10 to 20ms between the polling loops. Setting this bit disable this behaviour.
3	No NFC-DEP activation over Felica (ISO 18092 @ 212 or 424 kbit/s)	
2	No NFC-DEP activation over ISO 14443-A (ISO 18092 @ 106 kbit/s)	
1	No T=CL (ISO-DEP) activation over ISO 14443-B	Send SLOT CONTROL P1,P2= h20,01 to activate the PICC manually
lsb 0	No T=CL (ISO-DEP) activation over ISO 14443-A	Send SLOT CONTROL P1,P2= h20,02 to activate the PICC manually

Default value: h00 (T=CL active over 14443 A and B, NFC-DEP active over 14443 A and Felica)

11.4. CONTACTLESS CONFIGURATION

11.4.1. Enabled protocols

This register defines the list of protocols the **H512** will look for during its polling loop. Any PICC compliant with one of the active protocols will be “seen”, and the others ignored.

Address: `hB0` – **Size:** 2 bytes (MSB first)

	Bit	Activ. protocol (if set)	
msb	15	RFU	
	14	RFU	
	14	RFU	
	12	JIS:X6319-4 and ISO 18092 @ 212 kbit/s and 424 kbit/s Felica / NFC Type 3 Tag)	
	11	Innovision Topaz/Jewel - NFC Type 1 Tag	
	10	RFU	
	9	RFU	
	8	RFU	
	7	Innovatron (legacy Calypso cards – sometimes called 14443-B')	
	6	<i>Not available in the H512</i>	
	5	<i>Not available in the H512</i>	
	4	<i>Not available in the H512</i>	
	3	<i>Not available in the H512</i>	
	2	<i>Not available in the H512</i>	
	1	ISO 14443-B - NFC Type 4-B Tag	
lsb	0	ISO 14443-A and ISO 18092 @ 106kbit/s NFC Type 2 Tag and NFC Type 4-A Tag	

Default value: `hFFFF` (all supported protocols are activated)

11.4.2. Parameters for polling

This register defines the parameters used by the **H512** for the PICC polling.

Address: $hB4$ – Size: 5 bytes

Byte	Data	Default value	Remark
0	AFI for ISO 14443-B	$h00$	Specify the <i>Application Family Identifier</i> to be used during ISO 14443-B polling. $h00$ means that all PICCs shall answer.
1	RFU	$h00$	<i>Not used in H512, must be $h00$</i>
2 - 3	SC for JIS:X6319-4 and ISO 18092 @ 212 and 424 kbit/s	$hFFFF$	Specify the <i>System Code</i> to used during Felica polling (SENSF_REQ). The value is stored MSB first. $hFFFF$ means that all targets shall answer.
4	RC for JIS:X6319-4 and ISO 18092 @ 212 and 424 kbit/s	$h00$	Specify the <i>Request Code</i> to used during Felica polling (SENSF_REQ). This value shall be $h00$ to accept both NFC Type 3 Tags and NFC devices running in P2P mode (NFC-DEP), or $h01$ to accept only NFC Type 3 Tags

11.4.3. Options for polling

Use this register to configure the extended ATQB support for ISO 14443-B cards, and to disable JIS:X6319-4 / ISO 18092 @ 424 kbit/s.

Address: hC9 – **Size:** 1 byte

	Bit	Action if set	Note
msb	7	RFU	
	6	RFU	
	5	RFU	
	4	Activate extended ATQB	If this bit is set, the H512 will ask for an extended ATQB from ISO 14443-B. Not all cards do support this feature.
	3	Disable JIS:X6319-4 / ISO 18092 @ 424 kbit/s	If this bit is set, the H512 will communicate with Felica cards and NFC P2P targets up to 212 kbit/s only
	2	RFU	
	1	RFU	
lsb	0	RFU	

Default value: h00 (normal ATQB, allow 424kbit/s for JIS:X6319-4)

11.4.4. Allowed baudrates in T=CL (ISO 14443-4)

Use this register to let the **H512** negotiate a baudrate greater than 106 kbit/s with ISO 14443-4 PICCs (DSI, DRI defined in PPS for ISO 14443 A, in ATTRIB for ISO 14443 B).

*The **H512** is theoretically able to communicate with PICCs at 424 kbit/s in both directions, but the actual maximum speed depends heavily on the characteristics of the PICC, and on the reader's actual antenna and environment. Unless an external antenna driver is added to the module, it is recommended to stay at 106 kbit/s in both directions.*

Address: $_{h}C4$ – Size: 2 bytes (MSB first)

Bit	Meaning (if set)
ISO 14443-A DS	
msb 15	RFU, must be 0
14	Allow ISO 14443 A PICC → H512 @ 848 kbit/s (DSI = 3 in PPS)
13	Allow ISO 14443 A PICC → H512 @ 424 kbit/s (DSI = 2 in PPS)
12	Allow ISO 14443 A PICC → H512 @ 212 kbit/s (DSI = 1 in PPS)
ISO 14443-A DR	
11	RFU, must be 0
10	Allow ISO 14443 A H512 → PICC @ 848 kbit/s (DRI = 3 in PPS)
9	Allow ISO 14443 A H512 → PICC @ 424 kbit/s (DRI = 2 in PPS)
8	Allow ISO 14443 A H512 → PICC @ 212 kbit/s (DRI = 1 in PPS)
ISO 14443-B DS	
7	RFU, must be 0
6	Allow ISO 14443 B PICC → H512 @ 848 kbit/s (DSI = 3 in ATTRIB)
5	Allow ISO 14443 B PICC → H512 @ 424 kbit/s (DSI = 2 in ATTRIB)
4	Allow ISO 14443 B PICC → H512 @ 212 kbit/s (DSI = 1 in ATTRIB)
ISO 14443-B DR	
3	RFU, must be 0
2	Allow ISO 14443 B H512 → PICC @ 848 kbit/s (DRI = 3 in ATTRIB)
1	Allow ISO 14443 B H512 → PICC @ 424 kbit/s (DRI = 2 in ATTRIB)
lsb 0	Allow ISO 14443 B H512 → PICC @ 212 kbit/s (DRI = 1 in ATTRIB)

Default value: $_{h}0000$ (106 kbit/s only).

11.4.5. Options for T=CL (ISO 14443-4)

This register defines the behaviour of the ISO 14443-4 subsystem.

Address: $hC5$ – Size: 4 bytes

Byte	Data	Default value	Remark
0	Extra guard time	$h00$	Guard time (specified in ms) to add before sending a frame to the PICC.
1	Retries on card mute	$h03$	Number of retries before giving up when the PICC does not answer (communication timeout, and no other error detected)
2	Retries on comm. error	$h03$	Number of retries before giving up when the PCC does not understand the PICC's response (CRC, parity, framing errors...)
3	RFU	$h00$	<i>This value must be $h00$</i>

11.5. FELICA CONFIGURATION

11.5.1. Felica parameters

Use this register to define how the **H512** processes Felica cards and NFC Type 3 Tags.

Address: $_hCF$ – Size: 4 bytes

Byte	Data	Default value	Remark
0 - 1	Read Service Code	$_h000B$	Service Code used when the READ BINARY instruction is invoked (MSB first) The value $_h000B$ is mandated by the specification of the NFC Type 3 Tag
2 - 3	Update Service Code	$_h0009$	Service Code used when the UPDATE BINARY instruction is invoked (MSB first) The value $_h0009$ is mandated by the specification of the NFC Type 3 Tag

*Those values may be temporarily overwritten right into the SCardTransmit stream using the **SET FELICA RUNTIME PARAMETERS** instruction (§ 4.3.5).*

11.6. ISO 18092 / NFC-DEP CONFIGURATION

11.6.1. SENS_RES, SEL_RES, NFCID2 in NFC target mode

Address: hE0 – **Size:** 11 bytes

Byte	Data	Default value	Remark
0	SENS_RES MSB	h03	
1	SENS_RES LSB	h44	
2	SEL_RES	h04	Bits 2 must be set to claim ISO 18092 compliance
3 .. 10	NFCID2	h01 hFE h53 h70 h72 h69 h6E h67	NFCID2 must start with 01 FE to claim NFC-DEP compliance

Note: NFCID1 can't be personalized. A 4-byte random value is used.

11.6.2. Global Bytes in ATR_REQ and ATR_RES

Address: hE1 – **Size:** 0 to 15 bytes

This register defines the G_i bytes sent in ATR_REQ when running in **reader** (NFC initiator) **mode**, and the G_r bytes sent in ATR_RES when running in NFC target mode.

If this register remains empty, the default value is:

46 66 6D	LLCP magic number
01 01 11	LLCP version 1.1
03 02 00 13	Services = LLC Link Management + SNEP (NDEF exchange protocol)
04 01 96	Link timeout = 1.5 seconds

11.7. PICC EMULATION MODE CONFIGURATION

11.7.1. ATQ, UID and SAK in NFC type 2 Tag emulation mode

Address: ${}_hD2$ – Size: 3, 7 or 13 bytes

Byte	Data	Default value	Remark
0	ATQ MSB	${}_h00$	
1	ATQ LSB	${}_h44$	
2	SAK	${}_h00$	Bits 2 and 5 must be cleared
3 ..	UID	<i>empty</i>	Length of UID must be either 0, 4 or 7 If length is 0 (default), a 4-B random ID is used

11.7.2. ATQ, UID and SAK in NFC type 4 Tag emulation mode

Address: ${}_hD3$ – Size: 3, 7 or 13 bytes

Byte	Data	Default value	Remark
0	ATQ MSB	${}_h03$	
1	ATQ LSB	${}_h44$	
2	SAK	${}_h20$	Bit 2 must be cleared Bit 5 must be set to claim ISO 14443-4 compliance
3 ..	UID	<i>empty</i>	Length of UID must be either 0, 4 or 7 If length is 0 (default), a 4-B random ID is used

11.7.3. Historical Bytes of the ATS in NFC type 4 Tag emulation mode

Address: ${}_hD4$ – Size: 0 to 15 bytes

If this register remains empty, the ATS in this mode has no Historical Bytes.

11.7.4. ATQ, UID and SAK in Card emulation mode

Address: $_{h}E3$ – Size: 3, 7 or 13 bytes

Byte	Data	Default value	Remark
0	ATQ MSB	$_{h}03$	
1	ATQ LSB	$_{h}44$	
2	SAK	$_{h}20$	Bit 2 must be cleared Bit 5 must be set to claim ISO 14443-4 compliance
3 ..	UID	<i>empty</i>	Length of UID must be either 0, 4 or 7 If length is 0 (default), a 4-B random ID is used

11.7.5. Historical Bytes of the ATS in Card emulation mode

Address: $_{h}E4$ – Size: 0 to 15 bytes

If this register remains empty, the ATS in this mode has no Historical Bytes.

12. ANNEX A – SPECIFIC ERROR CODES

When the APDU interpreter returns SW1 = $\text{h}6\text{F}$, the value of SW2 maps to one of the **H512** specific error codes listed below.

SW2	Symbolic name ²⁸	Meaning
$\text{h}01$	MI_NOTAGERR	No answer received (no card in the field, or card is mute)
$\text{h}02$	MI_CRCERR	CRC error in card's answer
$\text{h}03$	MI_EMPTY	No data available
$\text{h}04$	MI_AUTHERR	Card authentication failed
$\text{h}05$	MI_PARITYERR	Parity error in card's answer
$\text{h}06$	MI_CODEERR	Invalid card response opcode
$\text{h}07$	MI_CASCLEVEEX	Bad anti-collision sequence
$\text{h}08$	MI_SERNRERR	Card's serial number is invalid
$\text{h}09$	MI_LOCKED	Card or block locked
$\text{h}0\text{A}$	MI_NOTAUTHERR	Card operation denied, must be authenticated first
$\text{h}0\text{B}$	MI_BITCOUNTEERR	Wrong number of bits in card's answer
$\text{h}0\text{C}$	MI_BYTECOUNTEERR	Wrong number of bytes in card's answer
$\text{h}0\text{D}$	MI_VALUEERR	Card counter error
$\text{h}0\text{E}$	MI_TRANSERR	Card transaction error
$\text{h}0\text{F}$	MI_WRITEERR	Card write error
$\text{h}10$	MI_INCRERR	Card counter increment error
$\text{h}11$	MI_DECRERR	Card counter decrement error
$\text{h}12$	MI_READERR	Card read error
$\text{h}13$	MI_OVFLERR	RC: FIFO overflow
$\text{h}15$	MI_FRAMINGERR	Framing error in card's answer
$\text{h}16$	MI_ACCESSERR	Card access error
$\text{h}17$	MI_UNKNOWN_COMMAND	RC: unknown opcode
$\text{h}18$	MI_COLLERR	A collision has occurred
$\text{h}19$	MI_COMMAND_FAILED	RC: command execution failed
$\text{h}1\text{A}$	MI_INTERFACEERR	RC: hardware failure
$\text{h}1\text{B}$	MI_ACCESSTIMEOUT	RC: timeout
$\text{h}1\text{C}$	MI_NOBITWISEANTICOLL	Anti-collision not supported by the card(s)
$\text{h}1\text{D}$	MI_EXTERNAL_FIELD	An external RF field is already present, unable to activate the reader's RF field

²⁸ As used in SpringProx API (defines in springprox.h)

h1F	MI_CODINGERR	Bad card status
h20	MI_CUSTERR	Card: vendor specific error
h21	MI_CMDSUPERR	Card: command not supported
h22	MI_CMDFMterr	Card: format of command invalid
h23	MI_CMDOPTERR	Card: option of command invalid
h24	MI_OTHERERR	Card: other error
h3C	MI_WRONG_PARAMETER	Reader: invalid parameter
h64	MI_UNKNOWN_FUNCTION	Reader: invalid opcode
h70	MI_BUFFER_OVERFLOW	Reader: internal buffer overflow
h7D	MI_WRONG_LENGTH	Reader: invalid length

13. ANNEX B – ACTIVATING SCARDCONTROL WITH THE DIFFERENT DRIVERS

Being compliant with the CCID specification, the **H512** is supported by (at least) 4 USB drivers:

- SpringCard CCID driver for Windows (ref. SDD480),
- Microsoft CCID kernel-mode driver (USBCCID) coming with Windows 2000/XP/Vista,
- Microsoft CCID user-mode driver (WUDFUsbccidDriver) coming with Windows 7,
- The open-source CCID driver from the PCSC-Lite package on Linux, MacOS X, and other UNIX operating systems.

13.1. DIRECT CONTROL USING SPRINGCARD SDD480

Direct control is always enabled in **SpringCard SDD480 driver**.

With this driver, in SCardControl function call, parameter dwControlCode shall be set to **SCARD_CTL_CODE(2048)**.

SCARD_CTL_CODE is a macro defined in header winscard.h from Windows SDK. For non-C/C++ languages, replace SCARD_CTL_CODE(2048) by constant value `0x00241FE4` (`0d3219456`).

13.2. DIRECT CONTROL USING MS USBCCID

With **MS USBCCID** driver, direct control of the reader must be enabled on a per-reader basis: each reader has its own USB serial number, and the direct control has to be unequivocally enabled for this serial number.

This is done by writing a value in registry, either using **regedit** or custom software. See for instance the command line tool **ms_ccid_escape_enable**, available with its source code in **SpringCard PC/SC SDK**.

The target key in registry is

```
HKEY_LOCAL_MACHINE
  SYSTEM
    CurrentControlSet
      Enum
        USB
          VID_1C34&PID_91B1
            yyyyyyyy
              Device Parameters
```

where yyyyyyyy is the reader's Serial Number.

Under this registry key, create the registry entry **EscapeCommandEnabled**, of type **DWORD**, and set it to value **1**. Once the value has been written, unplug and plug the reader again (or restart the computer) so the driver will restart, taking the new parameter into account.

With this driver, in SCardControl function call, parameter dwControlCode shall be set to **SCARD_CTL_CODE(3050)**.

*SCARD_CTL_CODE is a macro defined in header winscard.h from Windows SDK. For non-C/C++ languages, replace SCARD_CTL_CODE(3500) by constant value **0x004074F8** (0x3225264).*

13.3. DIRECT CONTROL USING MS WUDFUSBCCIDDRIVER

With **MS WUDFusbccidDriver** (new user-mode driver introduced in Windows 7), direct control of the reader must also be enabled on a per-reader basis: each reader has its own USB serial number, and the direct control has to be unequivocally enabled for this serial number.

This is done by writing a value in registry, either using **regedit** or custom software. See for instance the command line tool **ms_ccid_escape_enable**, available with its source code in **SpringCard PC/SC SDK**.

The target key in registry is

```
HKEY_LOCAL_MACHINE
  SYSTEM
    CurrentControlSet
      Enum
        USB
          VID_1C34&PID_91B1
            yyyyyyyy
              Device Parameters
                WUDFusbccidDriver
```

where yyyyyyyy is the reader's Serial Number.

Under this registry key, create the registry entry **EscapeCommandEnabled**, of type **DWORD**, and set it to value **1**. Once the value has been written, unplug and plug the reader again (or restart the computer) so the driver will restart, taking the new parameter into account.

With this driver, in SCardControl function call, parameter dwControlCode shall be set to **SCARD_CTL_CODE(3050)**.

*SCARD_CTL_CODE is a macro defined in header winscard.h from Windows SDK. For non-C/C++ languages, replace SCARD_CTL_CODE(3500) by constant value **0x004074F8** (0x3225264).*

13.4. DIRECT CONTROL USING PCSC-LITE CCID

To be written.

DISCLAIMER

This document is provided for informational purposes only and shall not be construed as a commercial offer, a license, an advisory, fiduciary or professional relationship between PRO ACTIVE and you. No information provided in this document shall be considered a substitute for your independent investigation.

The information provided in document may be related to products or services that are not available in your country.

This document is provided "as is" and without warranty of any kind to the extent allowed by the applicable law. While PRO ACTIVE will use reasonable efforts to provide reliable information, we don't warrant that this document is free of inaccuracies, errors and/or omissions, or that its content is appropriate for your particular use or up to date. PRO ACTIVE reserves the right to change the information at any time without notice.

PRO ACTIVE doesn't warrant any results derived from the use of the products described in this document. PRO ACTIVE will not be liable for any indirect, consequential or incidental damages, including but not limited to lost profits or revenues, business interruption, loss of data arising out of or in connection with the use, inability to use or reliance on any product (either hardware or software) described in this document.

These products are not designed for use in life support appliances, devices, or systems where malfunction of these product may result in personal injury. PRO ACTIVE customers using or selling these products for use in such applications do so on their own risk and agree to fully indemnify PRO ACTIVE for any damages resulting from such improper use or sale.

COPYRIGHT NOTICE

All information in this document is either public information or is the intellectual property of PRO ACTIVE and/or its suppliers or partners.

You are free to view and print this document for your own use only. Those rights granted to you constitute a license and not a transfer of title : you may not remove this copyright notice nor the proprietary notices contained in this documents, and you are not allowed to publish or reproduce this document, either on the web or by any mean, without written permission of PRO ACTIVE.

Copyright © PRO ACTIVE SAS 2013, all rights reserved.

EDITOR'S INFORMATION

PRO ACTIVE SAS company with a capital of 227 000 €

RCS EVRY B 429 665 482

Parc Gutenberg, 2 voie La Cardon

91120 Palaiseau – FRANCE

CONTACT INFORMATION

For more information and to locate our sales office or distributor in your country or area, please visit

www.springcard.com