

PROX'N'ROLL RFID SCANNER

Reference manual

Headquarters, Europa

SpringCard
13 voie la Cardon
Parc Gutenberg
91120 Palaiseau
FRANCE

Phone : +33 (0) 164 53 20 10
Fax : +33 (0) 164 53 20 18

Americas

SpringCard
964 Fifth Avenue
Suite 235
San Diego, CA 92101
USA

Phone : +1 (619) 544 1450
Fax : +1 (619) 573 6867

www.springcard.com

DOCUMENT INFORMATION

Category : Manual
Group : Prox'N'Roll
Reference : PMA8N9P
Version : BA
Status : Approved

Keywords :
RFID Scanner, Reader, Prox'N'Roll, HID, Configuration

Abstract :

pma8n9p-ba.doc
saved 08/04/09 - printed 08/04/09

REVISION HISTORY

Ver.	Date	Author	Valid. by Tech.	Valid. by Qual.	Approv. by	Remarks :
BA	20/02/09	LTX	JDA	JDA	JDA	SpringCard branding. Added reference to "RFID Scanner" family. Common chapters now shared with other products along the same family.
AA	03/12/08	LTX				Added serial mode and reference to CrazyWriter / CSB6. Initial release, Pro Active branding

TABLE OF CONTENT

1.	INTRODUCTION.....	5	5.1.	CONNECTING PROX'N'ROLL TO A COMPUTER	40
1.1.	AUDIENCE.....	5	5.2.	RETRIEVING PROX'N'ROLL RFID SCANNER INFORMATION.....	41
1.2.	PRODUCT BRIEF	5	5.3.	ENABLING CONFIGURATION COMMANDS.....	41
1.3.	KEYBOARD EMULATION MODE	5	5.4.	ACCESSING PROX'N'ROLL CONFIGURATION	41
1.4.	SERIAL PORT EMULATION MODE.....	6	5.5.	APPLYING NEW CONFIGURATION	42
1.5.	RELATED DOCUMENTS	6	5.6.	REVERTING TO DEFAULT.....	42
1.6.	OTHER PRODUCTS IN THE SAME FAMILY.....	6	6.	CREATING MASTER CARDS USING SQ844P SOFTWARE	43
2.	CONFIGURATION ATTRIBUTES	7	6.1.	OVERVIEW	43
2.1.	PRINCIPLES	7	6.2.	CONFIGURATION FILES	44
2.2.	GLOBAL CONFIGURATION ATTRIBUTES.....	8	6.3.	OPERATION INSTRUCTIONS	47
2.3.	KEYBOARD EMULATION MODE ATTRIBUTES	10	6.4.	CHANGING AUTHENTICATION KEY FOR MASTER CARDS.....	47
2.4.	SERIAL EMULATION MODE ATTRIBUTES.....	11	6.5.	REVERTING TO DEFAULT.....	49
2.5.	OTHER ATTRIBUTES.....	12	7.	SPECIFICATION OF MASTER CARDS.....	50
3.	CARD ACCEPTANCE TEMPLATES	13	7.1.	BUILDING A MASTER CARD	50
3.1.	BASIS	13	7.2.	TEMPLATE FOR MASTER CARDS	50
3.2.	ID-ONLY ACCEPTANCE TEMPLATES	16	7.3.	DATA STRUCTURE	52
3.3.	MIFARE CLASSIC ACCEPTANCE TEMPLATE	21	7.4.	DIGITAL SIGNATURE	53
3.4.	MIFARE ULTRALIGHT ACCEPTANCE TEMPLATE ...	26	8.	SECURITY ALGORITHMS	54
3.5.	DESFIRE ACCEPTANCE TEMPLATE	28	8.1.	HMAC SIGNATURE AND KEY DIVERSIFICATION .	54
3.6.	ISO 7816-4 ACCEPTANCE TEMPLATE.....	31	8.2.	DESFIRE SAM / RC171 KEY DIVERSIFICATION	56
3.7.	CALYPSO ACCEPTANCE TEMPLATE	35			
4.	SERIAL PROTOCOL AND COMMAND SET .	38			
4.1.	SERIAL OUTPUT FORMAT	38			
4.2.	SERIAL INPUT.....	38			
5.	CONFIGURING PROX'N'ROLL RFID SCANNER	40			

1. INTRODUCTION

This document provides detailed technical information for use of **SpringCard Prox'N'Roll RFID Scanner**.

1.1. AUDIENCE

This reference manual assumes that the reader has expert knowledge of computer configuration and usage. It is designed to be used by system integrators.

1.2. PRODUCT BRIEF

Prox'N'Roll RFID Scanner is a table-top USB proximity reader. It reads serial number or data from any standard ISO/IEC 14443 contactless card, including popular NXP MIFARE and DESFire families, and also ISO/IEC 15693 vicinity tags used in RFID systems.

Prox'N'Roll RFID Scanner supports to operating modes :

- Keyboard emulation mode (default configuration),
- Serial port emulation mode.

1.3. KEYBOARD EMULATION MODE

Configured for **keyboard emulation**¹, **Prox'N'Roll RFID Scanner** outputs its data as if there were typed on the computer's keyboard, just as a bar code scanner behaves.

This allows a drop-in replacement of legacy bar code scanners (PS/2 or USB devices) by a state-of-the-art RFID solution.

a. Typical applications

This reader is primarily dedicated to replace a bar code scanner where RFID labels may be used instead of barcodes : library or book stores, item management,

b. Output configuration

Thanks to the software's configuration (stored in non-volatile memory), the same reader is highly customizable on-the-field :

- Keyboard layout (QWERTY, AZERTY, QWERTZ),
- Keyboard sequences (prefix and postfix) to automate the navigation between the fields in any existing application.

¹ The device complies with the USB "Human Interface Device" (HID) profile, keyboard subclass. With most operation systems, no specific driver is needed as the device is seen as a standard computer keyboard.

1.4. SERIAL PORT EMULATION MODE

Configured to **emulate a serial port**², **Prox'N'Roll RFID Scanner** outputs its data in a standard serial communication stream.

This configuration typically allows to replace an RS-232 Magstripe reader by a state-of-the-art RFID solution. Replacing former RS-232 bar code scanners is possible too.

a. Typical applications

This reader is primarily dedicated to replace a card reader (Magstripe, 125kHz...) or a bar code scanner in cashiers, top-up kiosks, vending machines...

b. Output configuration

Thanks to the software's configuration (stored in non-volatile memory), the same reader is highly customizable on-the-field :

- Output format,
- Prefix and postfix sequences.

1.5. RELATED DOCUMENTS

You'll find any details regarding hardware and physical characteristics of each reader in the corresponding datasheet.

Datasheet	Covered products
PFL8P9P	Prox'N'Roll RFID Scanner product information sheet
PMU84OP	Prox'N'Roll RFID Scanner Quick Start guide

1.6. OTHER PRODUCTS IN THE SAME FAMILY

Prox'N'Roll RFID Scanner firmware is able to run on any other hardware in the SpringCard CSB6 family.

For instance, the **SpringCard CrazyWriter** OEM contactless coupler may run the **Prox'N'Roll RFID Scanner** firmware, providing same functionality as table-top Prox'N'Roll, but in a form factor that may be more convenient for custom integrations.

Due to the wide choice of hardware platforms and the rich portfolio of firmware to cover virtually any requirement, not every combination can be offered as an "out of the shelf" product. Hopefully, **SpringCard** has a strong experience in offering customized yet flexible products to the integrators. Do not hesitate to contact us in case you need such a specific offer.

² The device complies with the USB "Communication Device Class" (CDC) profile. Drivers are available for most operation systems to have the device activated as a serial communication port.

2. CONFIGURATION ATTRIBUTES

There are two families of configuration attributes :

- Product specific Global Configuration Attributes,
- Card Acceptance Templates.

The Card Acceptance Templates are common to all products in the **SpringCard RFID Scanner family**, and are exposed in detail in the next chapter.

In this chapter, we'll introduce configuration tags and detail the **Prox'N'Roll RFID Scanner's** specific configuration attributes.

2.1. PRINCIPLES

a. Configuration tags

Each configuration attribute is recognized by its "tag" and its length. The tag is a one-byte value, that uniquely identifies the attribute.

The list of available tags, and their meaning, is the purpose of this chapter and the next one.



Unless specified, each configuration attribute is exactly one byte (8 bits) long.

b. Non-volatile memory endurance

Prox'N'Roll RFID Scanner configuration attributes are stored in reader's non-volatile memory (flash). They can be changed up to 100 times.



Changing any configuration attribute more than 100 times may permanently damage your **Prox'N'Roll RFID Scanner** reader.

2.2. GLOBAL CONFIGURATION ATTRIBUTES

2.2.1. Operating mode

Name	Tag	Description	Size
MOD	_h C0	Operating mode. See table a below.	1

a. Operating mode bits

Bit	Value	Meaning
7 – 4		RFU (set to 0000)
3 – 0	0001	Operating mode : Serial emulation mode
	0011	Keyboard emulation mode

Default value : _b00000011

2.2.2. General options

Name	Tag	Description	Size
OPT	_h 60	General options. See table a below.	1

a. General options bits

Bit	Value	Meaning
7		RFU (set to 0)
6	0	Shutdown RF field when idle
	1	Shutdown RF field only when no card detected ³
5 – 4	00	Anti-collision model : Process every card one after the other
	01	RFU
	10	When 2 cards are in the field, process the 1 st and ignore the 2 nd
	11	When 2 cards are in the field, ignore both
3 – 2	00	Master Card : Master Cards are disabled ⁴
	01	Master Cards are enabled at power up
	10	RFU
	11	Master Cards are enabled all the time
1 – 0	00	Activate physical serial port⁵ : Serial port is enabled
	01	RFU
	10	Serial port is disabled
	11	RFU

Default value : _b00001110

(Master Cards are enabled all the time, serial port disabled)

³ This is required if strict anti-collision (bits 5-4 = _b10 or _b11) is needed.

⁴ Configuration settings can only be altered through serial link

⁵ Prox'N'Roll doesn't have a serial port. This attribute is relevant only for CrazyWriter or other hardware platforms that feature an UART with either RS-TTL or RS-232 connection

2.2.3. Delays and repeat options

Name	Tag	Description	Min	Max
ODL	$_{h}61$	Min. delay between 2 consecutive outputs (0.1s).	0	100
RDL	$_{h}62$	Min. delay between 2 consecutive <u>identical</u> outputs (0.1s). A value of 255 means that the card must be removed from the field –and re-inserted into– before being read again.	0	100

Default value : ODL = 2 (200ms) RDL = 10 (1s)

2.2.4. LED and buzzer control options

Name	Tag	Description	Size
CLD	$_{h}63$	LEDs control. See table a below.	1
CBZ	$_{h}64$	Buzzer control. See table b below.	1

a. LEDs control bits

Bit	Value	Meaning
7	0	Short LED sequences (3 seconds)
	1	Long LED sequences (10 seconds)
6 – 5	00	When idle, blue LED blinks slowly ("heart beat" sequence)
	01	When idle, blue LED is always on
	10	When idle, blue LED is always off
	11	<i>RFU</i>
4	0	Green LED stays OFF
	1	Green LED blinks when a valid card has been processed
3	0	Red LED stays OFF
	1	Red LED blinks when an unsupported card has been processed
2	0	Green LED stays OFF
	1	Green LED blinks as soon as a card is seen in the field
1 – 0	11	<i>RFU (set to 11)</i>

Default value : $_{b}00001111$

b. Buzzer control bits

Bit	Value	Meaning
7	0	Buzzer short pulse = 0,2 sec
	1	Buzzer short pulse = 0,5 sec
6	0	Buzzer long pulse = 0,7 sec
	1	Buzzer long pulse = 1,5 sec
5		<i>RFU</i>
4	0	No action on buzzer before specified by host controller
	1	Short pulse when a valid card has been processed
3	0	No action on buzzer for unsupported cards
	1	Long pulse when an unsupported card has been processed
2	0	No action on buzzer before processing is achieved
	1	Short pulse as soon as a card is seen in the field
1 – 0		<i>RFU (set to 01)</i>

Default value : $_{b}00010001$

2.3. KEYBOARD EMULATION MODE ATTRIBUTES

The following attributes are relevant only when the device is configured for keyboard emulation (MOD = $_{h}03$)

Name	Tag	Description	Size
KBD.LYT	$_{h}A0$	Keyboard layout. See table a below.	1
KBD.OPT	$_{h}A1$	Keyboard options. See paragraph b below.	1
KBD.BEF	$_{h}A2$	Prefix string. See paragraph c below.	Var.
KBD.AFT	$_{h}A3$	Postfix string. See paragraph c below.	Var.

a. Keyboard layout

Bit	Value	Meaning
7 – 0	$_{h}00$	QWERTY
	$_{h}01$	AZERTY
	$_{h}02$	QWERTZ
	<i>All other values are RFU and must not be used</i>	

Default value : $_{b}00000000$ (QWERTY)

b. Keyboard options

This entry is RFU and must be left empty.

c. Prefix and postfix

KBD.BEF defines the character string to be sent *before* the actual data.

Default value for KBD.BEF : absent (*no prefix*)

KBD.AFT defines the character string to be sent *after* the actual data.

Default value for KBD.AFT : ENTER key

If a non-null ASCII value is specified for either KBD.BEF or KBD.AFT (either a single character or a string), it will be transmitted before or after the data respectively.

Allowed ASCII codes are :

HEX value	C char	Meaning
$_{h}09$	$\backslash t$	TAB key
$_{h}0A$	$\backslash n$	ENTER key
$_{h}0D$	$\backslash r$	(discarded)
$_{h}20$	$\backslash ' '$	Space
$_{h}41$ to $_{h}5A$	$\backslash 'A'$ to $\backslash 'Z'$	Letters A to Z. Actual case vary with CAPS LOCK state.
$_{h}61$ to $_{h}7A$	$\backslash 'a'$ to $\backslash 'z'$	
$_{h}30$ to $_{h}39$	$\backslash '0'$ to $\backslash '9'$	Digits 0 to 9 (as if they were entered on the numerical keypad). NUM LOCK must be active.
$_{h}21$ to $_{h}2F$	$\backslash '!'$ to $\backslash '/'$	Symbols (put in order) : !"#\$%&'()*+,-./:;<=>?@[\\]^_`{ }~
$_{h}3A$ to $_{h}40$	$\backslash ':'$ to $\backslash '@'$	
$_{h}5B$ to $_{h}60$	$\backslash '['$ to $\backslash '`'$	
$_{h}7B$ to $_{h}7E$	$\backslash '\{'$ to $\backslash '\~'$	
$_{h}00$	$\backslash 0$	

2.4. SERIAL EMULATION MODE ATTRIBUTES

The following attributes are relevant only when the device is configured for serial emulation (MOD = `h01`) or when the serial output is enabled (bits 1-0 in OPT).

2.4.1. Serial configuration

Name	Tag	Description	Size
SER	<code>h67</code>	Serial configuration bits. See table a below.	1

a. Serial configuration bits

Bit	Value	Meaning
7	0	No STX / ETX frame markers
	1	Use STX and ETX as frame markers
6 – 5	00	No BEL / TAB / CR/LF frame markers
	01	Use CR/LF only
	10	Use BEL and CR/LF as frame markers
	11	Use TAB and CR/LF as frame markers
4 – 3		Serial Repeat
	00	No repeat
	01	Repeat 4 times with timeout of 100ms
	10	Repeat 4 times with timeout of 250ms
2 – 0	11	Repeat 9 times with timeout of 250ms
		RFU (set to 101)

Default value : `b11000000`



The baudrate is always 38400 bps.

b. Serial frame format

Serial frames are always transmitted using ASCII representation of binary values.

For example, data `'00 7A 12 6C 59 F4 04'` (hexadecimal notation) is transmitted as string `"007A126C59F404"`.

c. Serial frame markers

Bits 7-5 drive the start of frame / end of frame markers.

See chapter 4.1 for details on using the reader in Serial mode.

2.5. OTHER ATTRIBUTES

2.5.1. PIN code

Name	Tag	Description	Size
PIN	$\text{h}6\text{F}$	PIN code to access reader's console.	2

Default value : empty (*no pin-code*)

Use this tag to define a 4 digits PIN code to protect access to reader's console.

The 2-byte value must store 4 valid BCD digits, or the reserved value hFFFF that permanently disables the console feature.

3. CARD ACCEPTANCE TEMPLATES

Products in the **SpringCard RFID Scanners** family are able to manage different types of cards, and different sources of data on each card.

A **Card Acceptance Template** defines how the reader will recognize the card to be read, and how it would get the actual data (serial number, block reading, file selection and reading, authentication keys to be used for Mifare or Desfire, etc).

The template also defines which formatting is to be applied to the data when sending them to the target device (translation to ASCII or to Decimal, constant prefix or suffix, etc).

This product is able to run up to 4 Card Acceptance Templates simultaneously.

3.1. BASIS

Each Card Acceptance Template is configured through a set of configuration attributes, each attribute having its own tag.

- Template 1 uses Configuration tags h_{10} to h_{1F}
- Template 2 uses Configuration tags h_{20} to h_{2F}
- Template 3 uses Configuration tags h_{30} to h_{3F}
- Template 4 uses Configuration tags h_{40} to h_{4F}

In the following pages, we use the convention "Template t uses Configuration tags h_{t0} to h_{tF} ". Replace t by the current template number.

3.1.1. Card lookup list

Name	Tag	Description	Size
LKL	h_t0	Card lookup list of the template. See table a below.	1

a. Available values for LKL

Value	Card(s) accepted by the template	Processing template	§
h_{01}	ISO/IEC 14443 type A (layer 3)	ID only	3.2
h_{02}	ISO/IEC 14443 type B (layer 3)		
h_{03}	ISO/IEC 14443 A&B (layer 3)		
h_{04}	ISO/IEC 15693		
h_{07}	ISO/IEC 14443 A&B and ISO/IEC 15693		
h_{08}	NXP ICODE1		
h_{0C}	NXP ICODE1 and ISO/IEC 15693		
h_{0F}	All of the above		
h_{11}	ISO/IEC 14443 type A (layer 4 / T=CL)	7816-4	3.6
h_{12}	ISO/IEC 14443 type B (layer 4 / T=CL)		
h_{13}	ISO/IEC 14443 A&B (layer 4 / T=CL)		
h_{22}	ST MicroElectronics SR family	ID only	3.2
h_{23}	ASK CTS256B and CTS512B		
h_{24}	Inside Contactless PicoTAG ⁶		
h_{61}	NXP Mifare Classic 1k & 4k	Mifare Classic	3.3
h_{62}	NXP Mifare UltraLight	Mifare UltraLight	3.4
h_{71}	NXP Desfire 4k	Desfire	3.5
h_{72}	Calypso (Innovatron protocol)	ID only or 7816-4	3.2 or 3.7
h_{FF}	All cards supported	ID only	3.2

Other values are *RFU*

The LKL tag is mandatory to enable a template group. If not found, the template group is empty.

⁶ Also HID iClass

3.1.2. Summary of other tags in templates

Depending of the card lookup list (LKL tag), a specific list of tags controls the behaviour of the Processing Template.

The table below summarize this.

Tag	ID only	Mifare UltraLight	Mifare Classic	Desfire	7816-4	Calypso
_h t1	Output format					
_h t2	Output prefix					
_h t3	Offset	Location of data				
_h t4	Options			T=CL options		C. options
_h t5			Auth. method & key		1 st APDU	
_h t6			Sign. method & key		2 nd APDU	
_h t7					3 rd APDU	

Grey items are *RFU* and must be kept empty.

3.1.3. Important notice regarding template-ordering

Be careful that the 4 templates are processed one after the other. The loop is ended after the first successful match.

If a card matches two (or more) templates, it will be handled only by the first one.

Suppose you want to accept both a specific kind of 14443-B T=CL cards, with advanced file reading, and another kind of wired-logic 14443-B cards, where only the ID is significant. You must put the T=CL template *before* the ID template, otherwise the T=CL part will be skipped.

3.2. ID-ONLY ACCEPTANCE TEMPLATES

Use an ID-only Acceptance Templates when you want to read the serial number and/or the protocol-related constant bytes from a contactless card, or a group of contactless cards.

Depending on the settings you define in the Lookup List attribute (tag LKL.IDO), the reader may either

- Find any supported contactless card,
- Find only a specific family of contactless cards,
- Find ISO compliant contactless cards.

As you may have more than one ID-only Acceptance Template (up to 4 in fact), you may easily display different types of cards with a different format.

Including card's type in the returned ID is also an interesting option (see 3.2.6.b), as for instance there's no rule to prevent an ISO 14443-B card to have a different serial number than any ISO 14443-A ones.

3.2.1. Lookup list

Name	Tag	Description	Size
LKL.IDO	${}_h t0$	ID-only lookup list : ${}_h 01 \leq \text{value} \leq {}_h 0F$ for ISO-compliant cards, ${}_h 21 \leq \text{value} \leq {}_h 2F$ for non-ISO cards, value = ${}_h FF$ all the supported cards. See 3.1.1.a for details.	1

3.2.2. Output format

Name	Tag	Description	Size
TOF.IDO	$\text{h}t1$	ID-only output format. See table a below.	1

a. Output format bits

Bit	Value	Meaning
7 – 6	00	Byte swapping Do not swap ID bytes (ID is transmitted "as is")
	01	<i>RFU</i>
	10	Swap bytes for single-size (4 bytes) ISO 14443-A UIDs ⁷ only ; IDs of any other card is transmitted "as is"
	11	Swap ID bytes for all kind of cards
5	0	Padding Left-padding with $\text{h}0$
	1	Right-padding with $\text{h}F$
4	0	ISO 14443-B specific Use ISO 14443-B PUPI (4 bytes) as ID
	1	Use complete ISO 14443-B ATQ (11 bytes) as ID
3 – 0	0000	Output length Decimal, 4 bytes seen as 10 digits (i.e. 32 → 40 bits expansion)
	0001	Fixed length, 4 bytes ⁸
	0010	Fixed length, 8 bytes ⁹
	0011	Fixed length, 5 bytes
	0100	Fixed length, 12 bytes ¹⁰
	0101	Fixed length, 7 bytes ¹¹
	0110	Fixed length, 11 bytes ¹²
	0111	<i>RFU</i>
	1000	Fixed length, 16 bytes
	1001	<i>RFU</i>
	1010	<i>RFU</i>
	1011	<i>RFU</i>
	1100	Decimal, 5 bytes seen as 12 digits (i.e. 40 → 56 bits expansion)
1101	Decimal, 5 bytes seen as 13 digits (i.e. 40 → 64 bits expansion)	
1110	Decimal, variable length (maximum 13 digits)	
1111	Variable length (depends on actual size of ID)	

Default value : $\text{b}10000010$

(8 bytes fixed length, left padding, swap bytes for short ISO 14443-A UIDs only)

⁷ This is the default format in NXP's Mifare Classic related literature.

⁸ ISO 14443-A single-size UID, ISO 14443-B PUPI, serial number for ASK CTS256B and CTS512B.

⁹ ISO 15693 ID, serial number for NXP ICODE1, Inside Contactless PicoTag, ST MicroElectronics SR family...

¹⁰ ISO 14443-A triple-size UID.

¹¹ ISO 14443-A double-size UID.

¹² ISO 14443-B complete ATQB.

3.2.3. Output prefix

Name	Tag	Description	Size
PFX.IDO	$_h t2$	ID-only output prefix.	Var.

Default value : absent (*no prefix*)

If a non-null ASCII value is specified (either a single character or a string), it will be transmitted before the data (therefore the actual length will be longer than the specified length).

3.2.4. Offset of data

Name	Tag	Description	Size
LOC.IDO	$_h t3$	Offset in the ID.	1

Default value : $_b 00000000$ ($_d 0$)

When TOF.IDO specifies a fixed length output, using LOC.IDO makes it possible to select some bytes in the ID, and not only the first ones. This is principally useful when working with non-ISO cards, as shown in the following paragraphs.

3.2.5. Role of LOC.IDO with non-ISO cards

A few manufacturers still offer non standard cards, most of them based on ISO 14443-B bit-level specification, but with a proprietary frame format (protocol) and a proprietary command set.

As those cards don't answer to ISO 14443 standard detection commands, a specific template must be activated to discover them.

a. *ST MicroElectronics SR family*

When LKL.IDO= $_{h}22$, the reader performs the lookup sequence for cards in the ST MicroElectronics SR family (SR176, SRX, SRIX).

A 8-byte serial number is returned by the card. Use TOF.IDO and LOC.IDO if you need to truncate it.

b. *ASK CTS256B and CTS512B*

When LKL.IDO= $_{h}23$, the reader performs the lookup sequence for cards in the ASK CTS-B family (CTS256B, CTS512B).

A 8-byte identifier is built as follow :

Byte 0	Byte 1	Byte 2	Byte 3	Bytes 4 to 7
Manufacturing code	Product code	Embedded code	Application code	4-byte serial number

- CTS256B's product code is between $_{h}50$ and $_{h}5F$,
- CTS512B's product code is between $_{h}60$ and $_{h}6F$,
- See ASK's documentation for explanations regarding other bytes.

Define LOC.IDO= $_{h}04$ (and TOF.IDO= $_{h}01$) if you need only the serial number (and don't care for card type and other data).

c. *Inside Contactless PicoTAG¹³*

When LKL.IDO= $_{h}24$, the reader performs the lookup sequence for cards in the Inside Contactless PicoTAG family (PicoTAG 16KS).

A 8-byte serial number is returned by the card. Use TOF.IDO and LOC.IDO if you need to truncate it.

¹³ Also HID iClass

3.2.6. Miscellaneous options

Name	Tag	Description	Size
OPT.IDO	$_h t4$	ID-only miscellaneous options. See table a below.	1

a. Miscellaneous option bits

Bit	Value	Meaning
7 – 4		<i>RFU</i>
3 – 2	00	Position of card's type in the output Card type is sent before the prefix ¹⁴
	01	Card type is sent after the prefix and before the ID ¹⁵
	10	Card type is sent after the actual ID ¹⁶
	11	<i>RFU</i>
1 – 0		Send card's type in the output
	00	Do not send card's type
	01	Send card's type on one byte (2 hex digits) (see table b below)
	10	Send card's type as a string (see table b below)
	11	<i>RFU</i>

Default value : $_b 00000000$

b. Values for card's type byte or string

When OPT.IDO is configured to send card's type in the output, the possible values are :

"Physical" card's type	One byte value	String value	Remark
ISO/IEC 14443 A	$_h 01$	" A "	Card must be compliant with Layer 3 or layer 4
ISO/IEC 14443 B	$_h 02$	" B "	
ISO/IEC 15693	$_h 04$	" V "	
NXP ICODE1	$_h 08$	" I "	
Inside Contactless PicoTAG	$_h 10$	" i "	Also HID iClass
ST MicroElectronics SR family	$_h 20$	" s "	
ASK CTS256B and CTS512B	$_h 40$	" a "	
Calypso (Innovatron protocol)	$_h 80$	" C "	

¹⁴ The actual frame is <card type><PFX.IDO><card id> (PFX.IDO may be empty)

¹⁵ The actual frame is <PFX.IDO><card type><card id> (PFX.IDO may be empty)

¹⁶ The actual frame is <PFX.IDO><card id><card type> (PFX.IDO may be empty)

3.3. MIFARE CLASSIC ACCEPTANCE TEMPLATE

Mifare "Classic" refers to NXP Mifare 1k (MF1ICS50) and Mifare 4k (MF1ICS70) wired-logic contactless cards.

Mifare 1k is divided into 64 16-byte blocks.

Mifare 4k is divided into 256 16-byte blocks.

Both cards have a 4-byte serial number, located at the beginning of block 0. As those cards are ISO/IEC 14443-3 compliant, you can read the serial number through the generic ID-Only template, instead of using this dedicated template.

3.3.1. Lookup list

Name	Tag	Description	Size
LKL.MIF	$\text{h}t0$	Mifare classic lookup list, value = $\text{h}61$. See 3.1.1.a for details.	1

3.3.2. Output format

Name	Tag	Description	Size
TOF.MIF	$\text{h}t1$	Mifare output format. See table a below.	1

a. Output format bits

Bit	Value	Meaning
7	0	Do not swap bytes
	1	Swap bytes
6	0	RAW data
	1	ASCII encoded data ¹⁷
5	0	Left-padding with $\text{h}0$ (RAW) or <SPACE> (ASCII)
	1	Right-padding with $\text{h}F$ (RAW) or <SPACE> (ASCII)
4	0	Long string reading option ¹⁸ Disable long string reading option
	1	Enable long string reading option
3 – 0		Output length Format depends on bit 6 (RAW or ASCII). See table b below for RAW data (bit 6 = 0) See table c below for ASCII data (bit 6 = 1)

Default value : $\text{b}00000010$

¹⁷ If data read from the memory card is "31 32 33 43 34 35" (hexadecimal notation), output will be "123C45". Make sure that only valid digits (values from 31 to 39 and 41 to 46 or 61 to 66) are encoded in every card, otherwise actual reader output will be undefined.

¹⁸ This option is only available on Prox'N'Roll RFID Scanner, RDR-K632 and ProxRunner. If working with IWM-K632 or FunkyGate, please ignore this configuration tag.

b. Output length when bit 6 = 0

Bit	Value	Meaning
3 – 0	0000	Decimal, 4 bytes seen as 10 digits (i.e. 32 → 40 bits expansion)
	0001	Fixed length, 4 bytes (32 bits)
	0010	Fixed length, 8 bytes (64 bits)
	0011	Fixed length, 5 bytes (40 bits)
	0100	Fixed length, 12 bytes (96 bits)
	0101	Fixed length, 7 bytes (56 bits)
	0110	Fixed length, 11 bytes (88 bits)
	0111	RFU
	1000	Fixed length, 16 bytes (128 bits)
	1001	RFU
	1010	RFU
	1011	RFU
	1100	Decimal, 5 bytes seen as 12 digits (i.e. 40 → 56 bits expansion)
	1101	Decimal, 5 bytes seen as 13 digits (i.e. 40 → 64 bits expansion)
	1110	Decimal, variable length (maximum 13 digits)
	1111	Variable length (using _h 0 and _h F as end of string markers)

c. Output length when bit 6 = 1

Bit	Value	Meaning
3 – 0	0000	Max output length = _d 16
	0001	Max output length from _d 1 to _d 15
	to	
	1111	

3.3.3. Output prefix

Name	Tag	Description	Size
PFX.MIF	_h t2	Mifare output prefix.	Var.

Same as ID-only output prefix (see 3.2.3).

3.3.4. Location of data

Depending on the size, the LOC.MIF tag can either be

- A block number (= address of data in Mifare card) when size = 1,
- An Application Identifier (AID) when size = 2.

a. Fixed block number

Name	Tag	Description	Size
LOC.MIF	$_{ht}3$	Block number to be read.	1

Default value : $_b00000100$ ($_d4$)

When a Mifare card is found, the reader tries to read the block specified in LOC.MIF (16 bytes), and then truncates the data according to the length specified in TOF.MIF.

The block number shall be

- Between 0 and 63 for Mifare 1k cards,
- Between 0 and 255 for Mifare 4k cards.

Note that data must start on a block boundary.



Mifare sector trailers (security blocks) numbered 3, 7, ... can be read, but their content is masked (to protect the keys). Using such a block as access control identifier is definitely not a good idea.

b. AID in MAD

Name	Tag	Description	Size
LOC.MIF	$_{ht}3$	AID to be selected and read.	2

When a Mifare card is found, reader reads the MAD (blocks 1 and 2 of sector 0)¹⁹ and tries to find the specified AID. The location of the AID in the MAD is the pointer onto the actual block to be read.

Note that data must be located at the beginning of the first block marked with the specified AID.

Please refer to NXP application notes for detailed explanations of the MAD.

¹⁹ Sector 0 must be freely readable either with base key A ("A0 A1 A2 A3 A4 A5"), with transport key ("FF FF FF FF FF FF") or with the application key specified in AUT.MIF .

3.3.5. Authentication key

Depending on the size, the AUT.MIF tag can either be

- A pointer to a key located in RC's secure EEPROM when size = 1.
- The Mifare key itself, when size = 7,
- A master key and its diversification options, when size = 9 or 17

When the AUT.MIF tag is absent, all EEPROM keys are tried out in sequence (this can take a long time...).

Name	Tag	Description	Size
AUT.MIF	_h t5	Mifare authentication key.	See below

Default value : absent

a. Size = 1 : pointer to a key in RC's secure EEPROM

- Values _h00 to _h0F refer to type A keys _d0 to _d15, respectively,
- Values _h80 to _h8F refer to type B keys _d0 to _d15, respectively.

b. Size = 7 : specified Mifare key

Offset	Length	Content
0	1	Key options. See table c below.
1	6	Mifare key value.

c. Key options bits, when size = 7

Bit	Value	Meaning
7	0	Key is an A key
	1	Key is a B key
6 – 0		RFU

d. Size = 17 : master key diversification using HMAC-MD5

Offset	Length	Content
0	1	Key options. See table e below.
1	16	Master key value.

e. Key options bits, when size = 17

Bit	Value	Meaning
7	0	Diversified key is an A key
	1	Diversified key is a B key
6	0	Diversification with card UID and address fixed to _h 00
	1	Diversification with card UID and address = sector number
5 – 4	10	Diversify the key using HMAC-MD5 algorithm
3 – 0		RFU

f. Size = 15 or 23 : master key diversification using RC171 algorithm

Offset	Length	Content
0	1	Key options. See table g below.
1	6	Mifare master key.
7	8 or 16	DES or 3-DES diversification key.

g. Key options bits, when size = 15 or 23

Bit	Value	Meaning
7	0	Diversified key is an A key
	1	Diversified key is a B key
6	0	Diversification with card UID and address fixed to $_{h}00$
	1	Diversification with card UID and address = sector number
5 – 4	01	Diversify the key using RC171 algorithm
3 – 0		RFU

3.3.6. Reading a long string from a Mifare Classic card

Note : This option is only available on Prox'N'Roll RFID Scanner, RDR-K632 and ProxRunner.

When bits 4 and 6 in TOF.MIF are set (ASCII output, long string reading extension enabled), the reader behaves as follow :

- The output length (bits 0 to 3 of TOF.MIF) is ignored,
- The reader reads sequentially all Mifare data blocks starting at address specified in LOC.MIF (absolute address or pointer found in MAD), until one of those events occurs :
 - The end-of-string character ('\0' i.e. $_{h}00$) is read,
 - The end of the card is reached,
 - The authentication failed (see note below),
 - 4 blocks (64 bytes) have been read.

Doing so, the reader is able to fetch ASCII strings up to 64 characters.

Note : in this mode, the reading may cross a sector boundary (64 bytes is 4 blocks, where sectors below 32 are 3-block wide). In this case, the two sectors to be read must be formatted with the same Mifare key and the same access mode.

3.4. MIFARE ULTRALIGHT ACCEPTANCE TEMPLATE

NXP Mifare UltraLight is a low-cost wired-logic contactless cards. It is divided into 16 4-byte pages. This template reads 4 pages (i.e. exactly 16 bytes) at once.

This card has a 7-byte serial number, located on blocks 0 and 1. As the card is ISO/IEC 14443-3 compliant, you can read the serial number through the generic ID-Only template, instead of using this dedicated template.

3.4.1. Lookup list

Name	Tag	Description	Size
LKL.MFU	$_h t0$	Mifare UltraLight lookup list, value = $_h 62$. See 3.1.1.a for details.	1

3.4.2. Output format

Name	Tag	Description	Size
TOF. MFU	$_h t1$	Mifare UltraLight output format.	1

Same as Mifare Classic output format (see 3.3.2).

3.4.3. Output prefix

Name	Tag	Description	Size
PFX.MFU	$_h t2$	Mifare UltraLight output prefix.	Var.

Same as ID-only output prefix (see 3.2.3).

3.4.4. Location of data

Name	Tag	Description	Size
LOC.MFU	$_h t3$	Number of the first page to be read.	1

Default value : $_b 00000000$ ($_d 0$)

Remember that this template always reads 4 pages (16 bytes) starting at LOC.MFU.

3.4.5. Reading a long string from a Mifare UltraLight card

Note : This option is only available on Prox'N'Roll RFID Scanner, RDR-K632 and ProxRunner.

When bits 4 and 6 in TOF.MIF are set (ASCII output, long string reading extension enabled), the reader behaves as follow :

- The output length (bits 0 to 3 of TOF.MIF) is ignored,
- The reader reads sequentially all Mifare data blocks starting at address specified in LOC.MIF (absolute address or pointer found in MAD), until one of those events occurs :
 - The end-of-string character ('\0' i.e. h00) is read,
 - The end of the card is reached,
 - 16 pages (64 bytes) have been read.

Doing so, the reader is able to return ASCII strings up to 64 characters²⁰.

²⁰ Well, not really, as Mifare UltraLight currently features only 64 bytes of data, with only 48 bytes actually usable to store data.

3.5. DESFIRE ACCEPTANCE TEMPLATE

Desfire Acceptance Template has been designed for the first version of NXP Desfire 4k cards (MF3ICD40).

It should work with new Desfire versions (MF3ICD21, MF3ICD41 and MF3ICD81) as long as they are configured to remain compatible with the earlier version (DES or two-key Triple-DES authentication, same ATQ/SAK as MF3ICD40).

3.5.1. Lookup list

Name	Tag	Description	Size
LKL.DFR	$_{h}t0$	Desfire lookup list, value = $_{h}71$. See 3.1.1.a for details.	1

3.5.2. Output format

Name	Tag	Description	Size
TOF.DFR	$_{h}t1$	Desfire output format.	1

Same as Mifare Classic output format (see 3.3.2).

3.5.3. Output prefix

Name	Tag	Description	Size
PFX.DFR	$_{h}t2$	Desfire output prefix.	Var.

Same as ID-only output prefix (see 3.2.3).

3.5.4. Location of data

Name	Tag	Description	Size
LOC.DFR	$_{h}t3$	Location of data in Desfire card. See table a below.	8

a. Data location bytes

Offset	Length	Content
0	3	Application IDentifier (AID).
3	1	File IDentifier (FID). File must be a "standard data" file.
4	3	Offset of data in file.
7	1	Length of data to be read ²¹ (1 to 64).

Default value : unspecified.

Values are MSB first.

²¹ Data will be truncated to the length specified in TOF.DFR, unless the long string reading extension is enabled.

3.5.5. T=CL options

Name	Tag	Description	Size
OPT.DFR	_h t4	Desfire T=CL options.	1

Same as 7816-4 T=CL options (see 3.5.5).

3.5.6. Authentication key

Name	Tag	Description	Size
AUT.DFR	_h t5	Desfire authentication key. See table a below.	9 or 17

Default value : absent

(No authentication is performed, plain read operation is used to fetch the data)

a. Authentication key bytes

Offset	Length	Content
0	1	Desfire key index and options. See table b below.
1	8 or 16	Key value (8 bytes for a DES key, 16 bytes for a 3-DES key).

b. Key index and options

Bit	Value	Meaning	
7 – 6	00	Communication mode for reading Plain	
	01		MACed with session key
	10		<i>RFU</i>
	11		Enciphered with session key
5 – 4	00	Key diversification algorithm Use the key "as is"	
	01		Diversify the key using Desfire SAM algorithm
	10		Diversify the key using HMAC-MD5 algorithm
	11		<i>RFU</i>
3 – 0	0000	Index of key in Desfire application Index of the key to be used for authentication	
	to		
	1110		
	1111		<i>RFU</i>

3.5.7. Reading a long string from a Desfire card

Note : This option is only available on Prox'N'Roll RFID Scanner, RDR-K632 and ProxRunner.

When bits 4 and 6 in TOF.DFR are set (ASCII output, long string reading extension enabled), the reader behaves as follow :

- The output length (bits 0 to 3 of TOF.DFR) is ignored,
- The reader reads the data up to the length specified in LOC.DFR (64 bytes max.),
- The reader returns those bytes as an ASCII string, truncated at the correct length when the end-of-string character ('\0' i.e. h00) is reached.

Doing so, the reader is able to fetch ASCII strings up to 64 characters.

3.6. ISO 7816-4 ACCEPTANCE TEMPLATE

3.6.1. Lookup list

Name	Tag	Description	Size
LKL.TCL	h_t0	7816-4 lookup list, $h_{t11} \leq \text{value} \leq h_{t13}$. See 3.1.1.a for details.	1

3.6.2. Output format

Name	Tag	Description	Size
TOF.TCL	h_t1	T=CL output format.	1

Same as Mifare Classic output format (see 3.3.2).

3.6.3. Output prefix

Name	Tag	Description	Size
PFX.TCL	h_t2	T=CL output prefix.	Var.

Same as ID-only output prefix (see 3.2.3).

3.6.4. Location of data

Name	Tag	Description	Size
LOC.TCL	h_t3	Offset of data in answer to APDU 3 ²² (0 to 127). Default value : 0.	1

3.6.5. T=CL options

Name	Tag	Description	Size
OPT.TCL	h_t4	T=CL (ISO/IEC 14443 layer 4) options. See table a below.	1

²² Data will be truncated according to the length specified in TOF.TCL .

a. T=CL option bits

Bit	Value	Meaning
7 – 6	00	Card to reader baudrate No PPS, DSI = 106kbit/s
	01	Perform PPS, DSI = 212kbit/s if card allows it
	10	Perform PPS, DSI = 424kbit/s if card allows it
	11	Perform PPS, DSI = 848kbit/s if card allows it
5 – 4	00	Reader to card baudrate No PPS, DRI = 106kbit/s
	01	Perform PPS, DRI = 212kbit/s if card allows it
	10	Perform PPS, DRI = 424kbit/s if card allows it
	11	Perform PPS, DRI = 848kbit/s if card allows it
3 – 0	0000	Card identifier (CID) Empty CID = d_0
	0001	CID from d_1 to d_{14}
	to	
	1110	CID is disabled
1111		

This tag exists only if T=CL card is selected in LST.

Default value : $b_00001111$

3.6.6. T=CL APDU 1

Typically this is a Select Application (or Select Applet) command.

May be absent if T=CL APDU 3 is sufficient to fetch the data.

Name	Tag	Description	Size
AU1.TCL	h_t5	TCL APDU 1.	Var.



Card's Status Word is checked by the reader. A SW between h_9000 and h_9FFF is considered valid. Any other value for SW (and in particular error values as defined by ISO 7816-4 between h_6100 and h_6FFF) is considered as an error, and the reader will ignore the card.

Reader's internal buffer is limited to 128 bytes. If card's answer is longer, the answer will be discarded and the reader will ignore the card.

3.6.7. T=CL APDU 2

Typically this is a Select File command.

May be absent if T=CL APDU 3 is sufficient to fetch the data.

Name	Tag	Description	Size
AU2.TCL	h_t6	TCL APDU 2.	Var.



Card's Status Word is checked by the reader. A SW between $h9000$ and $h9FFF$ is considered valid. Any other value for SW (and in particular error values as defined by ISO 7816-4 between $h6100$ and $h6FFF$) is considered as an error, and the reader will ignore the card.

Reader's internal buffer is limited to 128 bytes. If card's answer is longer, the answer will be discarded and the reader will ignore the card.

3.6.8. T=CL APDU 3

APDU used to actually retrieve the data (typically this is a Read Binary command). Data have to be found in answer at offset specified in LOC.TCL.

Name	Tag	Description	Size
AU3.TCL	h_t7	TCL APDU 3.	Var.



Card's Status Word is checked by the reader. A SW between $h9000$ and $h9FFF$ is considered valid. Any other value for SW (and in particular error values as defined by ISO 7816-4 between $h6100$ and $h6FFF$) is considered as an error, and the reader will ignore the card.

Reader's internal buffer is limited to 128 bytes. If card's answer is longer, the answer will be discarded and the reader will ignore the card.

3.6.9. Reading a long string from a T=CL card

Note : This option is only available on Prox'N'Roll RFID Scanner, RDR-K632 and ProxRunner.

When bits 4 and 6 in TOF.TCL are set (ASCII output, long string reading extension enabled), the reader behaves as follow :

- The output length (bits 0 to 3 of TOF.TCL) is ignored,
- The reader fetches the data from offset LOC.TCL up to the length of the response to APDU 3 (64 bytes max.),
- The reader returns those bytes as an ASCII string, truncated at the correct length when the end-of-string character ('\0' i.e. h00) is reached.

Doing so, the reader is able to fetch ASCII strings up to 64 characters.

3.7. CALYPSO ACCEPTANCE TEMPLATE

This part deals with old Calypso cards, to be accessed only through the legacy Innovatron radio protocol.

New Calypso cards now support ISO/IEC 14443-B, and therefore can be accessed either through ID-Only or ISO/IEC 7816-4 templates.



Working with Calypso cards is subject to a specific licence fee. This function is therefore disabled in our readers, unless you order them with the Calypso option.

Depending on the specified options, this Calypso card processing template can retrieve :

- A 4-byte serial number (ID-Only template)
- Arbitrary data to be read in Calypso files (7816-4 template)

3.7.1. Lookup list

Name	Tag	Description	Size
LKL.CYO	$\text{h}t0$	Calypso/Innovatron lookup list, value = $\text{h}72$. See 3.1.1.a for details.	1

3.7.2. Output format

Name	Tag	Description	Size
TOF.CYO	$\text{h}t1$	Calypso/Innovatron output format.	1

Same as Mifare Classic output format (see 3.3.2).

3.7.3. Output prefix

Name	Tag	Description	Size
PFX.CYO	$\text{h}t2$	Calypso/Innovatron output prefix.	Var.

Same as ID-only output prefix (see 3.2.3).

3.7.4. Location of data

Name	Tag	Description	Size
LOC.CYO	$_h t3$	Offset of data in answer to APDU 3 ²³ (0 to 64).	1

Default value : 0.

3.7.5. Calypso APDU 1

Typically this is a Select Application, or Select DF command.

Name	Tag	Description	Size
AU1.CYO	$_h t5$	Calypso/Innovatron APDU 1.	Var.



Card's Status Word is checked by the reader. A SW between $_h 9000$ and $_h 9FFF$ is considered valid. Any other value for SW (and in particular error values as defined by ISO 7816-4 between $_h 6100$ and $_h 6FFF$) is considered as an error, and the reader will ignore the card.

Reader's internal buffer is limited to 128 bytes. If card's answer is longer, the answer will be discarded and the reader will ignore the card.

3.7.6. Calypso APDU 2

Typically this is a Select EF command.

Name	Tag	Description	Size
AU2.CYO	$_h t6$	Calypso/Innovatron APDU 2.	Var.



Card's Status Word is checked by the reader. A SW between $_h 9000$ and $_h 9FFF$ is considered valid. Any other value for SW (and in particular error values as defined by ISO 7816-4 between $_h 6100$ and $_h 6FFF$) is considered as an error, and the reader will ignore the card.

Reader's internal buffer is limited to 128 bytes. If card's answer is longer, the answer will be discarded and the reader will ignore the card.

²³ Data will be truncated according to the length specified in TOF.CYO .

3.7.7. Calypso APDU 3

Typically this is a Read Binary command.

Name	Tag	Description	Size
AU3.CYO	$_h t7$	Calypso/Innovatron APDU 3	Var.



Card's Status Word is checked by the reader. A SW between $_h 9000$ and $_h 9FFF$ is considered valid. Any other value for SW (and in particular error values as defined by ISO 7816-4 between $_h 6100$ and $_h 6FFF$) is considered as an error, and the reader will ignore the card.

Reader's internal buffer is limited to 128 bytes. If card's answer is longer, the answer will be discarded and the reader will ignore the card.

4. SERIAL PROTOCOL AND COMMAND SET

4.1. SERIAL OUTPUT FORMAT

4.1.1. Frame markers

Serial frame markers are configured by bits 7-5 of SER .

Consider data '01 23 45 67' with a prefix <BEF> and postfix <AFT> ,

- If bits 7-5 = $b000$, frame is "<BEF>01234567<AFT>".
- If bits 7-5 = $b001$, frame is "<BEF>01234567<AFT><CR><LF>" where <CR> the ASCII carriage return ($h0D$), and <LF> the ASCII line feed ($h0A$).
- If bits 7-5 = $b010$, frame is "<BEL><BEF>01234567<AFT> <CR> <LF> " where <BEL> is the ASCII bell (or ring) character ($h07$), <CR> the ASCII carriage return ($h0D$), and <LF> the ASCII line feed ($h0A$).
- If bits 7-5 = $b011$, frame is "<TAB><BEF>01234567<AFT><CR><LF>" where <TAB> is the ASCII horizontal tab character ($h09$), <CR> the ASCII carriage return ($h0D$), and <LF> the ASCII line feed ($h0A$).
- If bits 7-5 = $b100$, frame is "<STX><BEF>01234567<AFT><ETX>" where <STX> is the ASCII "start of text" character ($h02$), and <ETX> the ASCII "end of text" ($h03$).
- If bits 7-5 = $b101$, frame is "<STX><BEF>01234567<AFT><ETX><CR><LF>".
- If bits 7-5 = $b110$, frame is "<BEL><STX><BEF>01234567<AFT><ETX><CR><LF>".
- If bits 7-5 = $b111$, frame is "<TAB><STX><BEF>01234567<AFT><ETX><CR><LF>".

4.2. SERIAL INPUT

Prox'N'Roll RFID Scanner in **Serial mode** accepts short commands from the host, typically to drive its LEDs and buzzer.

Prox'N'Roll RFID Scanner doesn't echo back the received data.

If the received command has been understood by **Prox'N'Roll RFID Scanner**, it replies with an <ACK> byte before executing the requested action.

Otherwise, it replies with a <NACK> byte.

Command transmission format is <command> <CR> <LF>.

4.2.1. List of commands

Command	Action
A0	Reader goes inactive (tag polling is halted)
A1	Reader goes active
R0	Switch red LED off
R1	Switch red LED on
R2	Red LED blinks slowly
R3	Red LED blinks quickly
G0	Switch green LED off
G1	Switch green LED on
G2	Green LED blinks slowly
G3	Green LED blinks quickly
Z0	Stop buzzer
Z1	Start buzzer
Z2	Short buzzer sound
Z3	Long buzzer sound
Margz	Same as sending Aa + Rr + Gg + Zz
Mrg	Same as sending Rr + Gg
Marg	Same as sending Aa + Rr + Gg
RST	Reset the reader
VER	Retrieve reader's version
SHO	Retrieve reader's settings



Choose appropriate configuration in CLD and CBZ before using the LEDs or buzzer related commands.

5. CONFIGURING PROX'N'ROLL RFID SCANNER

There are two ways to configure **Prox'N'Roll RFID Scanner**:

- Using a Master Card, formatted with **cfgfilecreator.exe** software. See chapters 6 and 7 for details. In **Keyboard mode**, when the Master Card has been processed the reader, it sends its firmware version (in the keyboard emulation stream), then restarts.
- Manually, by entering configuration values in reader's console (serial line access), as shown in this chapter. Only available for **Prox'N'Roll RFID Scanner** in **Serial mode**.



Default factory settings for **Prox'N'Roll RFID Scanner** firmware are :

- **Keyboard mode**,
- Reads any kind of ID, 8 byte fixed length output.

5.1. CONNECTING PROX'N'ROLL TO A COMPUTER

5.1.1. Activating serial mode

Activate the **Serial mode** using a Master Card configured to modify the OPT attribute. See chapters 2.2.1 for details.

5.1.2. Connection information

Install software ref. **SDD100** "USB Driver for SpringCard's FTDI-based devices" to see the interface as a virtual serial port (VCP).

Use HyperTerminal or any compliant terminal emulator to get connected onto the reader through the serial port. Default communication settings are :

- 8 data bits, 1 stop, no parity, no flow control ;
- Baudrate = 38400bps.

5.1.3. Testing connection

- Power-up (or reset) the reader,
- Reader sends its identification string :

SpringCard Prox'N'Roll RFID Scanner 1.28

5.2. RETRIEVING PROX'N'ROLL RFID SCANNER INFORMATION

5.2.1. Firmware version

Enter "ver" to read **Prox'N'Roll RFID Scanner** firmware version.

5.2.2. Firmware configuration

Enter "sho" to read **Prox'N'Roll RFID Scanner** configuration.

5.3. ENABLING CONFIGURATION COMMANDS



Prox'N'Roll RFID Scanner configuration may be protected by a pin-code (if PIN configuration tag is empty, no pin-code is needed).

If defined to `_hFFFF`, configuration commands are permanently disabled).

Enter "pinNNNN" to allow configuration commands, where NNNN is the actual pin-code (for instance, "pin1234")²⁴.

5.4. ACCESSING PROX'N'ROLL CONFIGURATION

5.4.1. Reading configuration tags

Enter "cfg" to list all configuration tags.

Enter "cfgXX" to read value configuration tag XX (hexadecimal address).

Note that configuration tags `_h55`, `_h56` and `_h6F` (keys used by Master Cards and pin-code) are masked when read back.

5.4.2. Writing configuration tags

Enter "cfgXX=YYYY" to update configuration tag XX (hexadecimal address) with value YYYY (hexadecimal value).

Enter "cfgXX=! !" to delete configuration tag XX (hexadecimal address).

5.4.3. Writing keys in RC's secure EEPROM

Enter "keya0=XXXXXXXXXXXX" to update key A at index 0, "keya1=..." to update key A at index 1, and so on until "keyaf=...".

Enter "keyb0=XXXXXXXXXXXX" to update key B at index 0, "keyb1=..." to update key B at index 1, and so on until "keybf=...".

²⁴ For security reasons, configuration commands are enabled only for 3 minutes. After 3 minutes of inactivity, you'll have to enter the pin-code again.

Note that keys stored in RC can't be read back.

5.4.4. Reading RC's 4-byte EEPROM

RC's chipset includes a 4-byte EEPROM to store a configuration value.
Enter "cfgRC" to read this 4-byte value.

5.4.5. Writing RC's 4-byte EEPROM

RC's chipset includes a 4-byte EEPROM to store a configuration value.
Enter "cfgRC=XXXXXXXX" to write this 4-byte value.



Content of RC's 4-byte EEPROM is currently not used by **Prox'N'Roll RFID Scanner** firmware.

Please keep this value to 00000000 as it may be used in future versions.

5.5. APPLYING NEW CONFIGURATION

New configuration is applied only after reset.
Cycle power or enter "rst" to reset the reader.

5.6. REVERTING TO DEFAULT

Sometimes it is necessary to put reader back in "out-of-factory" configuration (for instance when reader goes from one site to another). This is done easily by erasing all tags from reader's memory.

Enter "cfg! ! = ! !" to delete all configuration tags.



There's no confirmation prompt nor any kind of "are you sure ?" popup window. Erasing everything is immediate and unrecoverable.



Erasing all the configuration tags is not really enough to put the reader(s) back in out-of-factory configuration, since Mifare keys stored in RC's secure EEPROM are not erased.

Read paragraph 3.5.3 to see how the keys may be overwritten.

6. CREATING MASTER CARDS USING SQ844P SOFTWARE

6.1. OVERVIEW

Master Cards for **SpringCard RFID Scanners** are NXP Desfire 4k (MF3ICD40 or MF3ICD41). You may buy them from **SpringCard** or any other NXP reseller.

SpringCard SQ844P is a software package featuring :

- A command line utility, that creates the Master Cards from a Master Configuration File, and using a SpringCard contactless reader/writer²⁵
- A wizard (HTML page) that helps authoring the Master Configuration File.

SpringCard SQ844P also includes various configuration files, that show typical configuration for Prox'N'Roll RFID Scanner, IWM-K632, FunkyGate, RDR-K632, ProxRunner, etc.

SpringCard SQ844P is available only for Microsoft Windows systems.

a. Downloading and installing

Go to www.springcard.com/download/sdks.html and download latest version of package **sq884p**.

Double-click the downloaded file to launch the installer, and follow the wizard.

b. The `cfgfilecreator.exe` command line utility

cfgfilecreator.exe is a Windows command line software.



Enter **cfgfilecreator.exe -h** to read the complete list of command line switches and options, and the complete list of sections and variables for configuration files.

cfgfilecreator.exe software comes with various sample configuration files that show typical configurations of IWM-K632, FunkyGate, Prox'N'Roll RFID Scanner, etc.

²⁵ **SpringCard Prox'N'Roll PC/SC** (or Legacy) typically. CSB4 or any product in the CSB6 family may be used to create Master Cards too.

c. The *cfgfilecreator.exe* web page

cfgfilecreator.html is a standalone web page that helps creating configuration files for **cfgfilecreator.exe**.



6.2. CONFIGURATION FILES

cfgfilecreator.exe uses a configuration file to retrieve configuration data to be written into the Master Card.

Configuration files are written like standard Windows "INI" files. They can be created using Notepad or any other text editor, or using **cfgfilecreator.html**.

Each line of each section uses the format "name=value" where "name" is either the name or the tag of the configuration variable (e.g. either "opt" or "60"), and "value" its value in hexadecimal.

6.2.1. The "general" section

This section maps to tags h_{60} to h_{6F} . Default content is :

```
[general]
opt=05      ; value for OPT
odl=02      ; value for ODL
rdl=0A      ; value for RDF
cll=0F      ; value for CLD
cbz=13      ; value for CBZ
wgd=0A      ; value for WGD
dte=0A      ; value for DTC
```

```

ser=C5      ; value for SER
shd=00     ; value for SHD
pin=0000   ; value for PIN
    
```

6.2.2. The "rkeys" section

This section holds the Mifare access keys to be written in RC's secure EEPROM. Type A keys are named "a0" to "a15", and type B keys "b0" to "b15".

Here's an example of content :

```

[rkeys]
a0=A0A1A2A3A4A5 ; Mifare type A base key (for MAD)
a1=FFFFFFFFFFFF ; NXP transport key
a2=000000000000 ; other transport key
a3=CCCCCCCCCCCC ; unused
(...)
a15=CCCCCCCCCCCC ; unused
b0=B0B1B2B3B4B5 ; Mifare type B base key (for MAD)
b1=FFFFFFFFFFFF ; NXP transport key
b2=000000000000 ; other transport key
b3=CCCCCCCCCCCC ; unused
(...)
b15=CCCCCCCCCCCC ; unused
    
```

This section (and each line in it) is optional. Only keys listed in this section will be written, other keys will be left unchanged.

6.2.3. Sections for Card Processing Templates

SpringCard RFID Scanners run 1 to 4 card accepting templates.

Each template is configured by sections "tpl1", "tpl2", "tpl3" and "tpl4" respectively.

Mandatory and optional content for each section depends on the card lookup list (LKL field) of the section itself.

a. ID-Only example

This sample section configures template 4 to read any kind of ID. Output format is : 8-byte fixed length, prefixed by the string "ID=" :

```

[tpl4]
lkl=0F          ; wants any kind of ID
tof=82         ; 8-byte output, swap 14443 A short IDs
pfx=49443D    ; prefix = "ID="
    
```

b. Desfire example

This sample section configures template 1 to read 8 bytes of data from a Desfire card. Output format is : 8-byte fixed length, no prefix :

```

[tpl1]
lkl=71          ; wants Desfire cards
tof=02         ; 8-byte output
pfx=           ; no prefix
loc=123456 01 000100 08 ; 8 bytes of data to be read in application
                    ; 0x123456, field 0x01, at offset 0x000100
    
```

```
aut=00 A0A1A2A3A4A5A7 ; authentication with key 0, plain comm.  
; mode, no diversification. Key is a single  
; DES key (8 bytes)
```

6.2.4. Master Cards related sections

a. Specifying a new configuration for future Master Cards

The "tpl5" section allows to update the card processing template reserved to Master Cards. See paragraph 6.4.1 for details.

```
[tpl5]  
aut=E0 xx...xx ; 16-byte authentication key
```



This 16-byte authentication key in the "tpl5" section is the one that will be written in the reader(s) by the Master Card.

It is not the key that will be used to create the Master Card itself.

b. Specifying configuration to be used by current Master Card

The "master" section defines how the Master Card shall be created. See paragraph 6.4.2 for details.

```
[master]  
aut=E0 xx...xx ; 16-byte authentication key
```



This 16-byte authentication key in the "master" section is the one that will be used to create the Master Card.

It has no impact on the key written in the reader(s).

6.3. OPERATION INSTRUCTIONS

- Open **Configuration files creator (cfgfilecreator.html)** (on Windows : Start Menu → All Programs → SpringCard → Configuration Tools),
- Create your configuration file and save it in the directory where **cfgfilecreator.exe** is installed, for instance with the name *siteconf.ini* (on Windows : C:\Program Files\SpringCard\SQ844P),
- Open **Configuration tools directory** (on Windows : Start Menu → All Programs → SpringCard → Configuration Tools),
- Plug and power-on your Prox'N'Roll PC/SC (or legacy),
- Put a virgin Desfire card on the Prox'N'Roll PC/SC (or legacy),
- Enter **cfgfilecreator.exe -c siteconf.ini**,
- Wait until Master Card is written.



If the Desfire card is not virgin, the **software will try to format it** (i.e. erase the whole file structure with all the data) **without prior notification**.

Be sure to put on the reader only a virgin card, or an old Master Card to be overwritten.

You've been warned...

6.4. CHANGING AUTHENTICATION KEY FOR MASTER CARDS



All **SpringCard** products ship with the same out-of-factory authentication key. To secure their site, customers should replace the default key by their own key before installing the readers.

SpringCard recommends to make (and keep) at least two distinct Master Cards for each customer or site :

- **1st level Master Card** alters only the authentication key (replace default key by site specific key).
 - All readers bought for this site shall be configured using this **1st level Master Card** as soon as they are received.
- **2nd level Master Card** actually configures the reader (card processing templates, output mode and format, and so on).
 - It uses the site specific key for authentication, but doesn't update the key that is already inside the reader.
 - The **2nd level Master Card** shall be used during installation and whenever you wish to change reader configuration.

Note that more than one *2nd level Master Cards* can be created (one for each kind of output settings, one for each people in charge of installation...) whereas only one *1st level Master Card* should be created and be kept in a secure place²⁶.



Be sure to remember the new authentication key you put in a reader. If you forget the authentication key, and forget the pin-code (or define pin-code to `hFFFF`), it will be impossible to change reader configuration again !

You've been warned...

6.4.1. Creating a first level Master Card

- Create a configuration file (say, "*master.ini*") with only those 4 lines :

```
[master]
; Master section is empty, we use SpringCard's default keys

[tp15]
aut=E0 xx...xx
```

where *xx...xx* is the site specific 16-byte authentication key²⁷,

- Put a virgin card on the Prox'N'Roll, label it "*1st level Master Card*",
- Enter **cfgfilecreator.exe -c *master.ini*** ,
- Use this Master Card to write the new authentication key in the reader(s).

6.4.2. Creating a second level Master Card

- Create a complete configuration file as seen earlier .
- Terminate the file with those 4 lines :

```
[master]
aut=E0 xx...xx

[tp15]
; Template 5 section is empty, we keep current keys in the reader
```

where *xx...xx* is the site specific 16-byte authentication key,

- Put a virgin card on the Prox'N'Roll, label it "*2nd level Master Card*",
- Enter **cfgfilecreator.exe -c *siteconf.ini*** ,
- Use this Master Card to write complete configuration in the reader(s).

²⁶ That's because *1st level Master Card* has got the authentication key written in it, and anybody may retrieve it using **cfgfilecreator** software, as the authentication key is only used to secure *2nd level Master Cards* and is not written in them.

²⁷ This is key 0 inside Master Card application ; the key will be diversified using HMAC-MD5 algorithm, so the "E0" header is mandatory.

6.5. REVERTING TO DEFAULT

Sometimes it is necessary to put reader back in "out-of-factory" configuration (for instance when reader goes from one site to another). This is done easily by erasing all tags from reader's memory.

- Create a configuration file (say, "factory.ini") with only those 3 lines :

```
[master]
aut=E0 xx...xx
clear=1
```

where xx...xx is the site specific 16-byte authentication key

- Put a virgin card on the Prox'N'Roll, label it "Erase all Master Card",
- Enter **cfgfilecreator.exe -c factory.ini**
- Use this Master Card to put the reader(s) back in out-of-factory configuration.



Erasing all the configuration tags is not really sufficient to put the reader(s) back in out-of-factory configuration, since Mifare keys stored in RC's secure EEPROM are not erased.

Just add an "rckey" section, with dummy keys, to overwrite those keys.

7. SPECIFICATION OF MASTER CARDS



This chapter is provided as a mean for security experts to evaluate the Master Card architecture of **SpringCard RFID Scanners**.

Customers do not need to implement this part themselves, since **cfgfilecreator.exe** software is a convenient tool to create Master Cards. See chapter 6 for details.

7.1. BUILDING A MASTER CARD

- The Master Card must be a Desfire 4k,
- The reader tries to fetch configuration data from Desfire cards according to the Master Card template specified in next paragraph. Data are protected by an authentication key that may be changed on a per-customer or per-site basis (i.e. Master Cards belonging to customer X will not work on customer Y's readers),
- Before storing new settings in its non-volatile memory, the reader checks that data comes with a valid digital signature. The signing key can't be changed, and is only known by **SpringCard's** software. This ensure that only data that has been pre-validated by a genuine software can be loaded in reader's non-volatile memory.

7.2. TEMPLATE FOR MASTER CARDS

7.2.1. Location of data

Name	Tag	Description	Size
LOC.MAS	_h 53	Location of data in master cards. See table a below.	5

a. Data location bytes

Offset	Length	Content	Specified value
0	3	Application IDentifier (AID).	_h 504143
3	1	File IDentifier (FID) for configuration data.	_h 01
4	1	File IDentifier (FID) for digital signature.	_h 02

7.2.2. Authentication key



Out-of-factory key used for authentication of Master Cards is confidential.

Only **SpringCard** genuine software –such as **cfgfilecreator.exe**– is able to create Master Cards with the default authentication key.

To secure their installation, customers should replace this key as soon as they receive the readers, as explained in 6.4 .

This is the same structure as AUT.DFR .

Name	Tag	Description	Size
AUT.MAS	$\text{h}55$	Authentication key. See table a below.	17

a. Authentication key bytes

Offset	Length	Content
0	1	Authentication key index and options. See table b below.
1	16	Authentication key for Master Cards (this is 3-DES key).

b. Authentication key index and options

Bit	Value	Meaning
7 – 6	00	Communication mode in read operation Plain
	01	MACed with session key
	10	<i>RFU</i>
	11	Enciphered with session key
5 – 4	00	Key diversification algorithm Use the key "as is"
	01	Diversify the key using Desfire SAM algorithm
	10	Diversify the key using HMAC-MD5 algorithm
	11	<i>RFU</i>
3 – 0	0000 to 1110	Index of key in Desfire application Index of the key to be used for authentication
	1111	<i>RFU</i>

Specified value : $\text{h}E0$ (key 0, HMAC-MD5 diversification, ciphered reading)

7.2.3. Signing key

Name	Tag	Description	Size
SGN.MAS	$\text{h}56$	Signing key. See table a below.	17



Key used for digital signature of master cards is confidential.

Only **SpringCard** genuine software –such as **cfgfilecreator.exe**– is able to sign the Master Cards²⁸.

Customers shall not try to change this parameter, unless advised to by **SpringCard**.

a. Signing key bytes

Offset	Length	Content
0	1	Index and options. See table b below.
1	16	Key data (this is 128-bits key).

b. Signing key index and options

Bit	Value	Meaning
7 – 6	00	Those bits are RFU and must be 00
5 – 4	00	Key diversification algorithm Use the key “as is”
	01	Diversify the key using Desfire SAM algorithm
	10	Diversify the key using HMAC-MD5 algorithm
	11	RFU
3 – 0	0000	Those bits are RFU and must be 00

Specified value : $\text{h}20$ (HMAC-MD5 diversification)

7.3. DATA STRUCTURE

7.3.1. Size of file

File holding configuration data and Mifare keys (offset 3 in LOC.MAS) must be exactly 512-byte long. In case used size is shorter than 512 bytes, file must be padded with $\text{h}00$.

7.3.2. Configuration data

The configuration data block uses the T,L,V (tag, length, value) encoding scheme.

- Tag is 1 byte-wide,
- Len is 1 byte-wide,
- Value is 0 to 24 byte-wide.

²⁸ This choice has been done to ensure that data inside the Master Card have been pre-validated according to reader specifications, and have not been corrupted afterwards.

Items found in T,L,V blocks will overwrite data with the same tag already present in reader's non-volatile memory.

Set Len = 0 to delete an existing tag from the non-volatile memory, without replacing it.

Last T,L,V of the configuration data block must be the (valid) signature of the whole block, according to the HMAC-MD5 digital signature algorithm specified in next chapter.

7.3.3. Mifare keys to be loaded into RC's secure EEPROM

Keys to be loaded into RC's secure EEPROM use the T,L,V scheme, as follow :

- Tag (1 byte) = $_{h}80$ + key index (see chapter "Mifare Classic Card Acceptance Template"),
- Len (1 byte) = $_{h}06$,
- Value is the Mifare key (6 bytes exactly).

7.4. DIGITAL SIGNATURE

7.4.1. Size of file

File holding the signature (offset 4 in LOC.MAS) must be exactly 16-byte long.

7.4.2. Algorithm

This is the signature algorithm when default parameters in SGN.KEY are used :

- Let *Content* be the 512-byte configuration block as written in the card²⁹,
- Let *SignKey* be the 16-byte key,
- Diversify *SignKey* from card's UID, using HMAC-MD5 diversification algorithm³⁰ to get *DivKey*,
- Compute *Sign* = HMAC-MD5 (*Block*) using *DivKey*³¹.

The value of *SignKey* is confidential. Customers shall not try to change the key, nor the signature algorithm.

²⁹ This is the configuration data plus the Mifare keys to be loaded into RC's secure EEPROM. Total size is up to 512 bytes. Note that signature is computed over the whole file, including its padding, whatever the used length is.

³⁰ See next chapter "Security algorithms"

³¹ See next chapter "Security algorithms"

8. SECURITY ALGORITHMS

8.1. HMAC SIGNATURE AND KEY DIVERSIFICATION

8.1.1. Abstracts

A message authentication code, or MAC, is a short piece of information used to authenticate a message. A MAC algorithm accepts as input a secret key and a message, and outputs a MAC that protects both message's integrity and authenticity.

An HMAC (or keyed-hash message authentication code) is a type of MAC function where a cryptographic hash function is used to compute the output.

a. HMAC algorithm

$$\text{HMAC}_K(m) = h\left((K \oplus \text{opad}) \parallel h\left((K \oplus \text{ipad}) \parallel m\right)\right),$$

Where h is the hash function, K is the secret key padded with extra zeros up to 64 bytes, m is the message to be authenticated. opad is the value $\text{h}5\text{C}$ repeated 64 times, and ipad the value $\text{h}36$ repeated 64 times.

b. HMAC-MD5

HMAC-MD5 is a particular HMAC function where h is the MD5 standard function, as defined by RSA laboratories. Size of HMAC is 16 bytes exactly.

In the **SpringCard RFID Scanners** family, we use HMAC-MD5 for both signature and key diversification.

8.1.2. HMAC-MD5 for digital signature

HMAC protects both message's integrity and authenticity, so it can be considered as a digital signature³².

IWM implementation allows only 16-byte keys. The key can be used "as is" or be the result of a diversification from a master key.

8.1.3. HMAC-MD5 for key diversification

In this particular mode, we name K the "master key" and we compute the HMAC over card's identifier to establish a "diversified key" K_u .

³² Literature often reserve the name "digital signature" to public key schemes, where verifier doesn't need to know signer's private key to verify the signature. HMAC is a scheme where signer and verifier must share the same secret key.

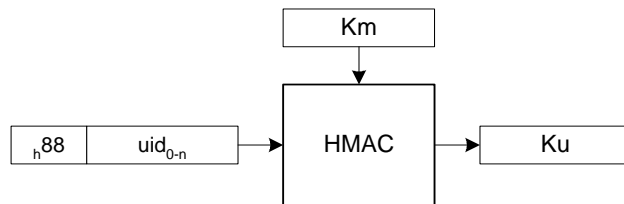
a. DES or Triple-DES key diversification

The algorithm takes as inputs :

- A 16-byte master key (Km)
- The card serial number (uid)³³

It provides as output :

- The 16-byte diversified key specific to this card (Ku).



The diversified key can now be used either for Desfire authentication, or for HMAC-MD5 signature.

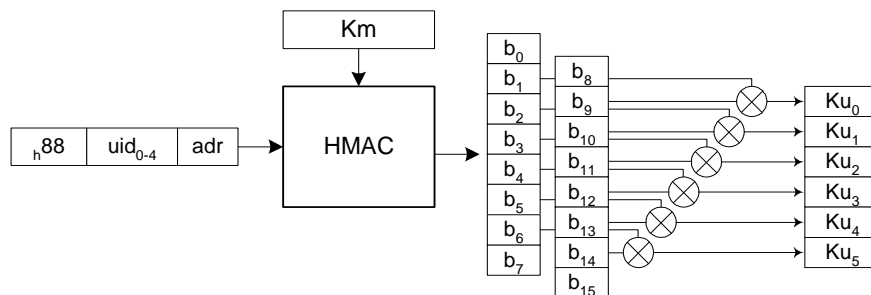
b. Mifare key diversification

The algorithm takes as inputs :

- A 16-byte master key (Km)
- The 4-byte card serial number (uid)
- The 1-byte block address (adr)

It provides as output :

- The 6-byte Mifare key specific to the couple card + address (Ku).



Note : the *adr* parameter is the either the sector number (not the block number) or fixed to *h00*, depending on the configuration in the Mifare Classic Card Acceptance Template.

³³ The UID is 7-byte long for a Desfire card, 4-byte long for a Mifare card. The same diversification algorithm is usable whatever the length is.

8.2. DESFIRE SAM / RC171 KEY DIVERSIFICATION

8.2.1. DES or Triple DES key diversification

The key diversification algorithm described here is the one provided by Desfire SAM. Please refer to the corresponding datasheet for details.

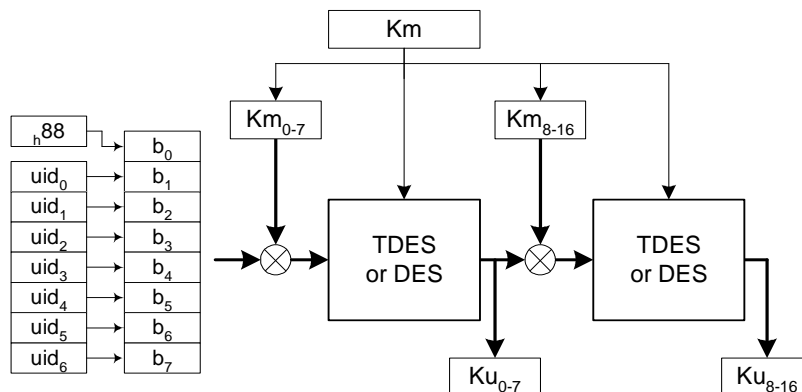
The algorithm takes as inputs :

- A 16-byte Triple-DES master key (Km)³⁴
- The 7-byte card serial number (uid)

It provides as output :

- The 16-byte diversified key specific to this card (Ku).

Here's the flowchart :



The diversified key now be used for Desfire authentication.

8.2.2. Mifare key diversification

The Mifare diversification algorithm described here is provided both by Desfire SAM and by NXP RC171 coprocessor. Please refer to the corresponding datasheets for details.

a. Basis

The algorithm takes as inputs :

- A 6-byte master key (Km)
- A 16-byte Triple-DES diversification key (Kd)³⁵

³⁴ If both halves are equals, the key maps to a single DES key

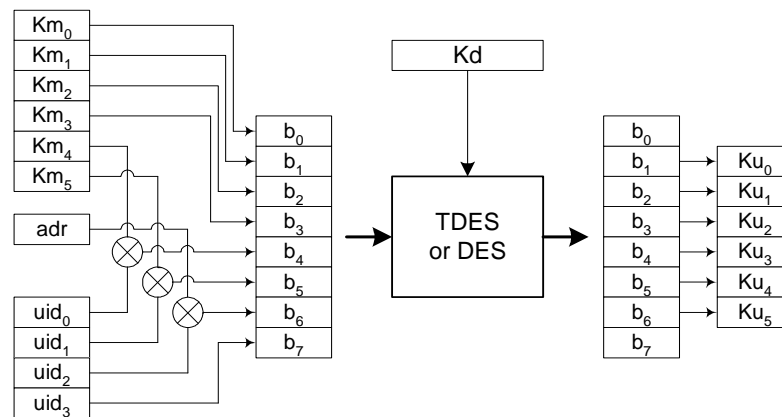
³⁵ If both halves are equals, the key maps to a single DES key

- The 1-byte block address (adr)
- The 4-byte card serial number (uid)

It provides as output :

- The 6-byte Mifare key specific to the couple card + address (Ku).

Here's the flowchart :



b. Diversification based on UID only

If this option is selected, the *adr* input parameter is fixed to $_{h}00$ whatever the block to be read is.

c. Diversification based on UID and address

If this option is selected, the *adr* input parameter is the Mifare sector number (not the block).

Here's an example with a Mifare 1k card :

- Data is located on block 29,
- Block 29 belongs to sector 7 ($29 / 4$),
- The diversification algorithm will be fed with $adr = 7$.

Here's an example with a Mifare 4k card :

- Data is located on block 231,
- Block 231 belongs to sector 38 ($32 + (231-128) / 16$),
- The diversification algorithm will be fed with $adr = 38$.

DISCLAIMER

This document is provided for informational purposes only and shall not be construed as a commercial offer, a license, an advisory, fiduciary or professional relationship between PRO ACTIVE and you. No information provided in this document shall be considered a substitute for your independent investigation.

The information provided in document may be related to products or services that are not available in your country.

This document is provided "as is" and without warranty of any kind to the extent allowed by the applicable law. While PRO ACTIVE will use reasonable efforts to provide reliable information, we don't warrant that this document is free of inaccuracies, errors and/or omissions, or that its content is appropriate for your particular use or up to date. PRO ACTIVE reserves the right to change the information at any time without notice.

PRO ACTIVE does not warrant any results derived from the use of the products described in this document. PRO ACTIVE will not be liable for any indirect, consequential or incidental damages, including but not limited to lost profits or revenues, business interruption, loss of data arising out of or in connection with the use, inability to use or reliance on any product (either hardware or software) described in this document.

These products are not designed for use in life support appliances, devices, or systems where malfunction of these product may result in personal injury. PRO ACTIVE customers using or selling these products for use in such applications do so on their own risk and agree to fully indemnify PRO ACTIVE for any damages resulting from such improper use or sale.

COPYRIGHT NOTICE

All information in this document is either public information or is the intellectual property of PRO ACTIVE and/or its suppliers or partners.

You are free to view and print this document for your own use only. Those rights granted to you constitute a license and not a transfer of title : you may not remove this copyright notice nor the proprietary notices contained in this documents, and you are not allowed to publish or reproduce this document, either on the web or by any mean, without written permission of PRO ACTIVE.

Copyright © PRO ACTIVE SAS 2009, all rights reserved.

EDITOR'S INFORMATION

PRO ACTIVE SAS company with a capital of 227 000 €
RCS EVRY B 429 665 482
Parc Gutenberg, 13 voie La Cardon
91120 Palaiseau – France