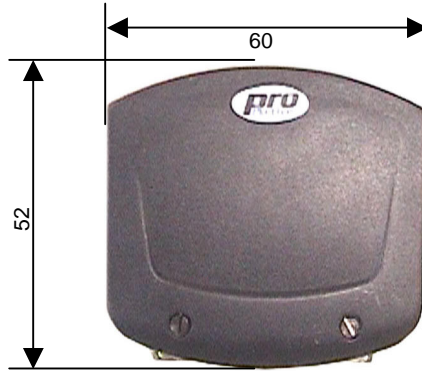
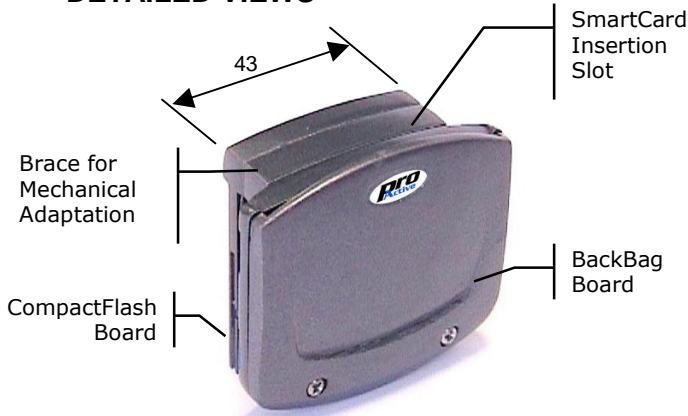


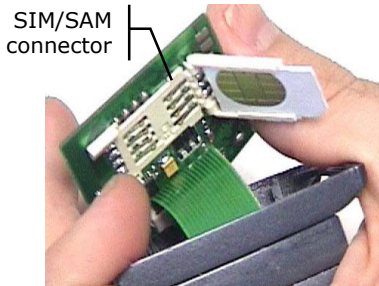
# SC-CF04

pftc020-ac.doc  
04/01/2008  
Version : AC

## DETAILED VIEWS



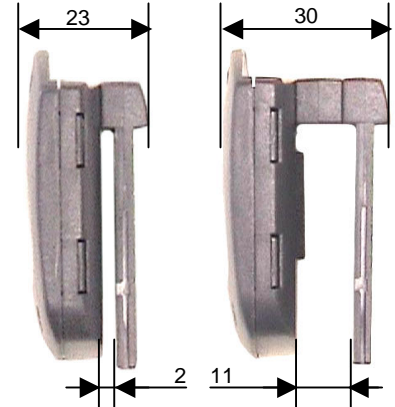
## PERSPECTIVE VIEW



BACKBAG INSIDE VIEW



## FACE VIEW



PROFILE VIEW

## GENERAL SPECIFICATIONS

- Description**..... SmartCard reader module for CompactFlash® enabled handhelds.  
→ SmartCard reader  
→ SIM/SAM reader
- Consumptions**..... maximum : 5mA  
operation on smart cards :  
- ATR on Cryptoflex : 10mA  
- ATR on SHARP : 50mA  
- ATR on Oberthur : 12mA  
- ATR on FlashCOS : 20mA  
minimum : 2,7mA  
stand-by : 0,7mA
- Temperature range** ..... 0°C → +45°C
- Material**..... ABS-PP
- Installation**..... Plug the module in the handheld CompactFlash® port. Plug and play detection as a serial port under the Microsoft® Windows® CE operating system (PocketPC 2000/2002, Windows® CE 4)
- Implementation** ..... API implementation as a DLL for the Microsoft® Windows® CE operating system for PocketPC 2000/2002, windows® CE 4.
- Conformity** ..... CE : EN50082/EN55022 class B
- Dimensions** ..... h : 52mm, l : 60mm, L : 23mm/30mm
- Weight**..... 40g

## SMARTCARD & SIM/SAM SPECIFICATIONS

- Handling**..... Insertion slot, internal SIM/SAM connector
- Mechanical life**..... Insertion slot : 50,000 cycles minimum
- Chipset**..... Gemplus® GemCore®, MC100 & Analog Interface IC100
- ISO compliance** ..... ISO 7816-1                      ISO 7816-2  
ISO 7816-3                      ISO 7816-4  
T=0 & T=1 in 3V and/or in 5V
- Software support**..... Standard Microsoft® Windows® API as "springcard.dll"

Information in this document is subject to change without notice. No part of this document may be reproduced or transmitted in any form or by any means, electronic or mechanical, for any purpose, without the express written permission of PRO ACTIVE.

## ADVANCED DATA SHEET SC-CF04



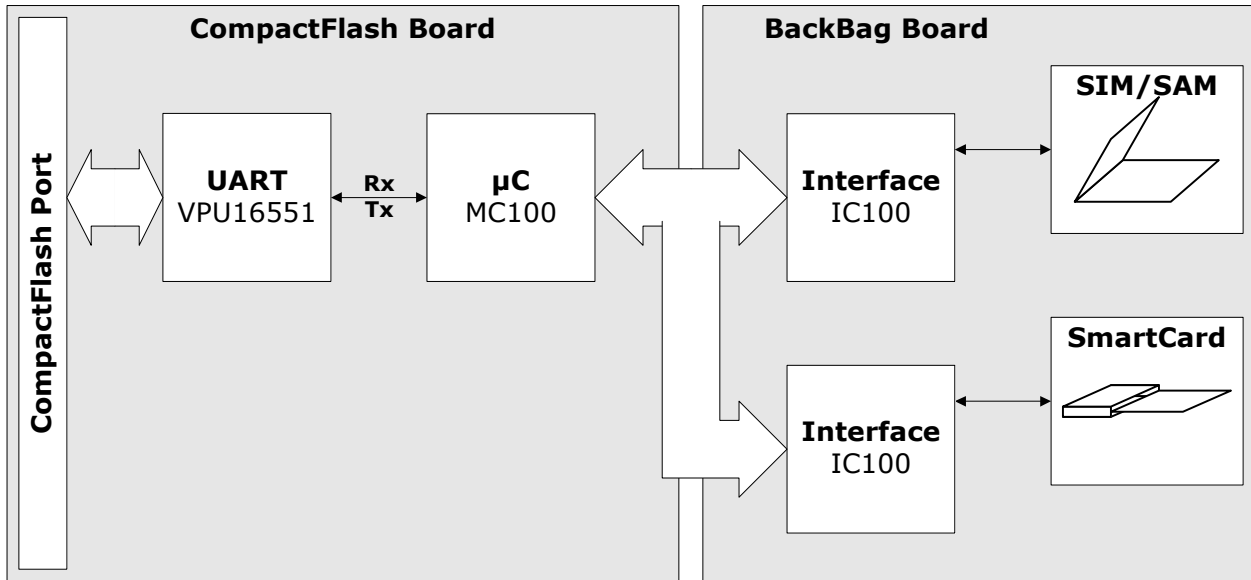
**Pro Active**  
Parc Gutenberg  
13 VOIE LA CARDON  
F-91120 PALAISEAU  
France

Tél. : +33 164 532 010  
Fax : +33 164 532 018

mail : [info@pro-active.fr](mailto:info@pro-active.fr)  
web : [www.pro-active.fr](http://www.pro-active.fr)

S.A.R.L. with a capital of 227 000€  
R.C.S. EVRY B 429 665 482  
A.P.E. 722 C  
VAT # : FR27 429 665 482 00015

BLOC DIAGRAM



IC SPECIFICATIONS

**Features**..... → SpringCard®-CF core based on Gemplus microcontroller GemCore 1.32.  
 → Smart cards interfaces based on Gemplus IC100  
 → PC-Card UART VPU16551 from Elan, providing PnP.

**VPU16551** ..... Versatile PC-Card UART  
 → Built-in 512 bytes reprogrammable E<sup>2</sup> for CIS.  
 → Powered Supply voltage : 3V  
 → Oscillation frequency : 14.7456MHz  
 → Consumptions : Min : 1.40mA  
 Max : 1.95mA  
 Baud rate range : 300 → 921600

**MC100** ..... GemCoreLite Microcontroller  
 → Based on 80C51  
 → Powered Supply voltage : 3V  
 → Oscillation frequency : 10MHz  
 → Smartcard communication rate range : 9600 → 115200 Bauds  
 → Consumptions :  
 Normal operation: 4mA  
 Standby mode : 10µA

**IC100** ..... Gemplus analog interface  
 → Powered Supply voltage : 3V & 5V  
 → Consumptions : Power-down : 30µA

COPYRIGHTS

SpringCard, SpringProx, Smarty logo, PRO ACTIVE and the PRO ACTIVE logo are registered trademarks of PRO ACTIVE S.A.R.L. SpringCard-CF, SpringProx-CF are trademarks of PRO ACTIVE S.A.S. CompactFlash is a registered trademark of Compact Flash Association. Microsoft, Windows, Embedded Visual Basic, Embedded Visual C++ are either registered trademarks or trademarks of Microsoft Corporation in the United States and/or other countries. Gemplus and GemCore are registered trademarks of Gemplus. ELAN is a registered trademark of Elan Digital System Ltd.

Information in this document is subject to change without notice. No part of this document may be reproduced or transmitted in any form or by any means, electronic or mechanical, for any purpose, without the express written permission of PRO ACTIVE.

ADVANCED DATA SHEET SC-CF04



**Pro Active**  
 Parc Gutenberg  
 13 VOIE LA CARDON  
 F-91120 PALAISEAU  
 France

Tél. : +33 164 532 010  
 Fax : +33 164 532 018

mail : [info@pro-active.fr](mailto:info@pro-active.fr)  
 web : [www.pro-active.fr](http://www.pro-active.fr)

S.A.S. with a capital of 227 000€  
 R.C.S. EVRY B 429 665 482  
 A.P.E. 722 C  
 VAT # : FR27 429 665 482 00015