

ISO/IEC 14443 OEM CONTACTLESS READ/WRITE MODULE

Pro-Active **K531** is an ISO/IEC 14443 contactless reader/writer module for OEM integration.

K531 reads and writes popular Philips MIFARE cards, as well as memory proximity tags from other manufacturers.

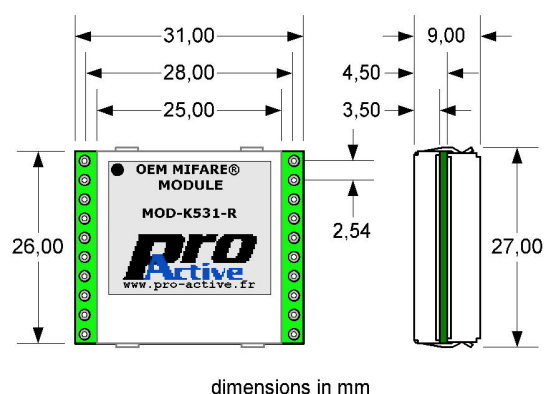
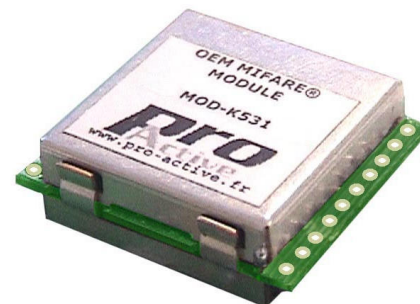
As a versatile T=CL reader, **K531** is also suitable for use with any ISO/IEC 14443 layer 4 smartcards, including Philips DESFIRE cards.

Thanks to its asynchronous serial communication interface, **K531** is really easy to operate from any microcontroller or host computer.

The **K531** OEM module needs an external antenna to operate. The antenna has to be designed depending on your own application (size requirements, expected operating distance).

Pro-Active also offers a basic antenna suitable for most uses, with various serial interface options.

Don't hesitate to contact us for specific requirements.



Contactless interface

- Compliance : ISO/IEC 14443 A/B (1, 2, 3 and 4),
- T=CL protocol embedded in coupler's firmware (256-byte frames, multi-activation with CID),
- Work with any ISO/IEC 14443 A or B smartcard (Philips DESFire, ProX, SmartMX, Infineon SLE66, STMicroelectronics ST19, ...),
- Read / write Philips MIFARE Classic and UltraLight cards or tags ; CRYPTO1 cipher unit with secure key storage (MfRC531 chipset),
- Other card supports (Calypso, Jewel, SR176, ...) on request,
- 13.56MHz RFID transmission, 106kpbs to 424kpbs baudrate.

Electronics

- Small footprint module : 26mm x 31mm x 9mm, 20 pins,
- 2 software-controlled LED outputs (CMOS/TTL),
- 1 software-controlled bi-directional user pin (CMOS/TTL),
- RX/TX pins (CMOS/TTL) for asynchronous serial communication,
- Both MFIN and MFOUT pins available on the module pinout for advanced MfRC531 operation,
- Power supply : 5V DC, 90mA typical,
- Extended temperature range (-20 to +80 °C),
- RoHS compliant, FCC approved.

RELATED PRODUCTS

K531-TTL	ISO/IEC 14443 OEM module with antenna
K531-232	ISO/IEC 14443 OEM module with antenna, RS-232 serial communication interface
K531-485	ISO/IEC 14443 OEM module with antenna, RS-485 serial communication interface
SRK-K531	K531 Starter Kit for developers and integrators

Information in this document is subject to change without notice. Reproduction without written permission of PRO ACTIVE is forbidden. PRO ACTIVE and the PRO ACTIVE logo are registered trademarks of PRO ACTIVE SAS. All other trademarks are property of their respective owners.

TECHNICAL DATASHEET



Pro Active
Parc Gutenberg
13 voie La Cardon
91120 Palaiseau
France

Phone : +33 1 64 53 20 10
Fax : +33 1 64 53 20 18
e-mail : info@pro-active.fr
website : www.pro-active.fr


S.A.S. with a capital of 227 000 €
R.C.S. EVRY B 429 665 482
A.P.E. 722 C
VAT # : FR 27 429 665 482 00015

ISO/IEC 14443 OEM CONTACTLESS READ/WRITE MODULE

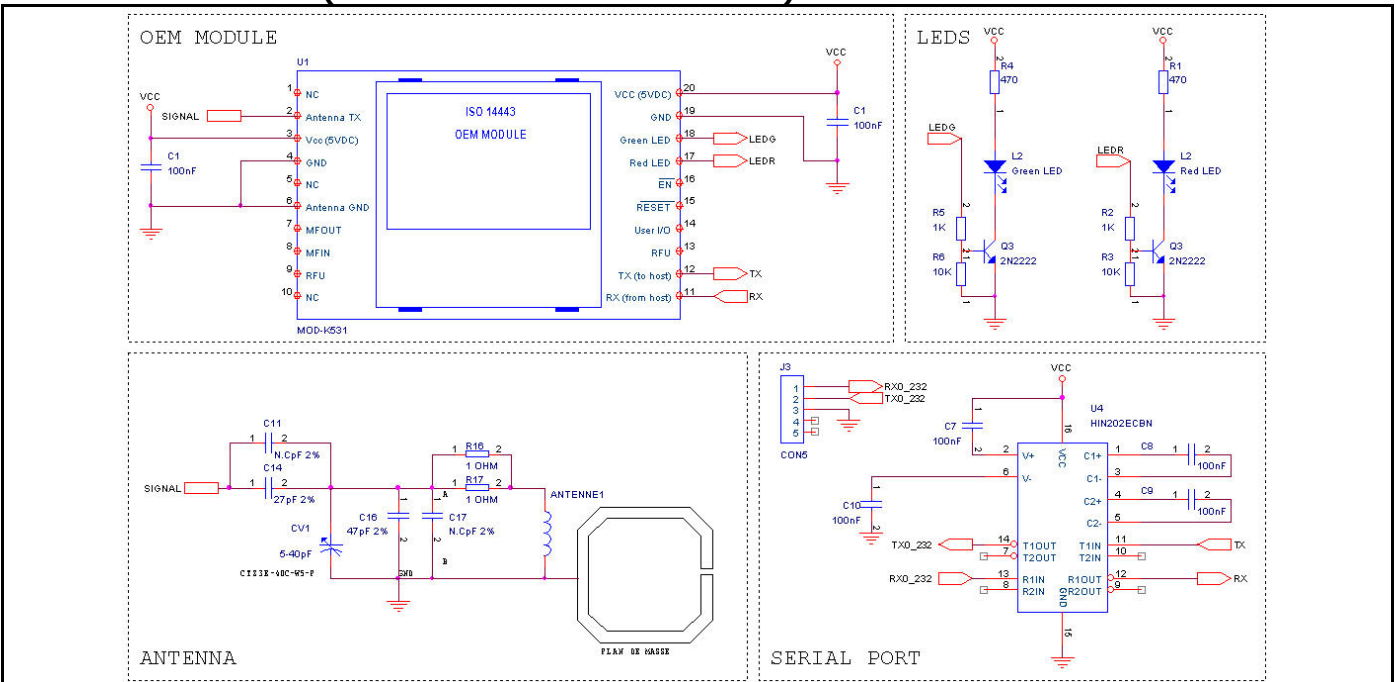
SPECIFICATIONS

ISO compliance	ISO/IEC 14443-A/B 1, 2, 3 & 4	CMOS/TTL I/Os	2 LEDs outputs 1 USER input/output <i>(reserved for output driver control in RS-485 operation)</i>
RFID operating frequency	13.56 MHz	CMOS/TTL serial interface	8 data bits, 1 stop, no flow control 9600, 38400 or 115200bps
Card operating distance	Depends both on antenna and card <i>5cm typical, min 0cm, max 8cm</i>	Power supply	5 V DC
PCD ↔ PICC baudrate	106, 212 or 424 kbps	Consumption	90mA typical 200mA max during RF operation
Supported cards	Philips MIFARE Classic & UltraLight Philips DESFIRE Philips SmartMX, ProX Infineon SLE66 ... STMicroelectronics ST19 ... Other cards : contact us (Calypso ¹ , Jewel, SR176...)	Temperature range	-20°C → +80°C
¹ Calypso card support is subject to extra license fees		Dimensions L x W x H	26 x 31 x 9 (mm)
<i>Module firmware is upgradeable through serial interface using free flashing utility. Upon request, a dedicated firmware may be developed, giving highest performances to your specific application.</i>		Weight	14g
		CE mark	EN50082 / EN55022 class B
		FCC	Part 15C
		RoHS compliant	Yes

PINOUT

<p>NC : 1</p> <p>Antenna TX : 2</p> <p>Vcc (5V DC) : 3</p> <p>Gnd : 4</p> <p>NC : 5</p> <p>Antenna Gnd : 6</p> <p>MFOUT : 7</p> <p>MFIN : 8</p> <p>RFU : 9</p> <p>DO NOT USE : 10 <i>(flash operation only)</i></p>	 <p style="text-align: center;">OEM MIFARE® MODULE MOD-K531-R PRO Active www.pro-active.fr</p>	<p>20 : Vcc (5V DC)</p> <p>19 : Gnd</p> <p>18 : Green LED</p> <p>17 : Red LED</p> <p>16 : /EN</p> <p>15 : /RESET</p> <p>14 : User I/O</p> <p>13 : RFU</p> <p>12 : TX (to host) (0/+5V)</p> <p>11 : RX (from host) (0/+5V)</p>	<p>Please follow the application note below for the antenna design.</p> <p>The antenna is to be wired between pins 2 and 6, according to the application note "Design of MF RC500 Matching Circuits and Antennas" to be downloaded from Philips Semiconductors' web site.</p> <p>All logical pins at TTL/CMOS level (LEDs, USER, RX & TX) must be protected according to the application note below.</p>
---	---	---	--

APPLICATION NOTE (50 OHMS MATCHED ANTENNA)



Information in this document is subject to change without notice. Reproduction without written permission of PRO ACTIVE is forbidden. PRO ACTIVE and the PRO ACTIVE logo are registered trademarks of PRO ACTIVE SAS. All other trademarks are property of their respective owners.

TECHNICAL DATASHEET



Pro Active
Parc Gutenberg
13 voie La Cardon
91120 Palaiseau
France

Phone : +33 1 64 53 20 10
Fax : +33 1 64 53 20 18
e-mail : info@pro-active.fr
website : www.pro-active.fr

S.A.S. with a capital of 227 000 €
R.C.S. EVRY B 429 665 482
A.P.E. 722 C
VAT # : FR 27 429 665 482 00015