

## RDR-K632-232

OEM RFID SCANNER MODULE WITH ANTENNA AND RS232 INTERFACE



«Autonomous» ISO/IEC 14443-A/B and ISO/IEC 15693 reader with antenna and RS-232 serial interface that can be embedded in virtually any kind of appliance

### KEY FEATURES

RDR-K632-232 is an « autonomous » reader and performs all the job on its own. There is no need to develop any software. Collected data are then transmitted to the computer in serial.

Thanks to the RDR-K632-232, reading RFID chips is as easy as reading a barcode.

RDR-K632-232 has many features that make it the only product on the market to provide such flexibility at low cost.

- Metallic bonnets to protect from radiations
- Ferrite on antenna to protect other components from radiations
- Embedded T=CL protocol, ISO/IEC 14443-A/B (from layer 1 to 4) and ISO/IEC 15693 compliance. Able to read all files/sectors of Mifare, DESFire,...

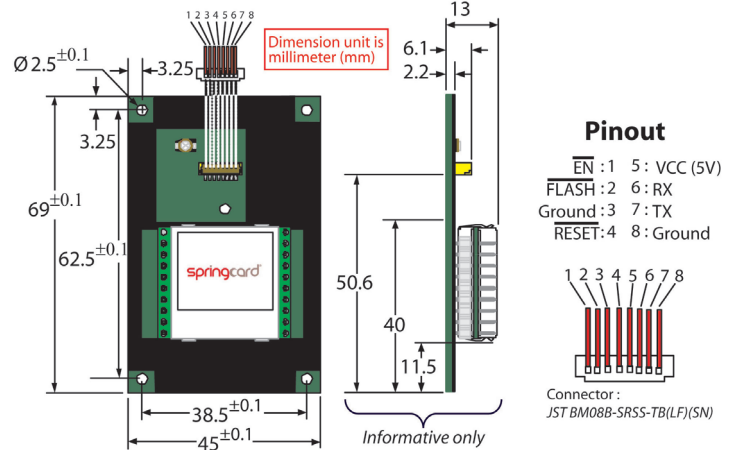
### EASY CONFIGURATION

RDR-K632-232 is totally configured through a secure master card. The scanner is able to run 4 recognition templates simultaneously.

### A FEW TYPICAL APPLICATIONS

- Loyalty program, user identification and asset tracking,
- Logistics,
- RFID asset management

### DETAILED VIEWS



PIN Assignments	Notes
1 /EN - Not used	Must be left unconnected
2 /FLASH - 5V : normal operation 0V : firmware upgrade	Can be left unconnected
3 Ground	
4 /RESET - 5V : normal operation 0V : module reset	Can be left unconnected
5 VCC (5V)	
6 RX (RS-232)	Host to module
7 TX (RS-232)	Module to host
8 Ground	

### SPRINGCARD & PRO ACTIVE

Established in 2000, Pro Active is an innovative provider of smartcard-related solutions, and one of the leaders on the contactless-reader market.

SpringCard distributes Pro Active's contact and contactless products worldwide, under a single brand name.

#### HEADQUARTERS, EUROPE SPRINGCARD

13 voie la Cardon  
Parc Gutenberg  
91120 Palaiseau  
FRANCE

Phone : +33 (0) 164 53 20 10  
Fax : +33 (0) 164 53 20 18

#### AMERICAS SPRINGCARD

964 Fifth Avenue  
Suite 235  
San Diego, CA 92101  
USA

Phone : +1 (619) 544 1450  
Fax : +1 (619) 573 6867

[www.springcard.com](http://www.springcard.com)

A PRO ACTIVE BRAND

**Pro Active**

## RDR-K632-232

OEM RFID SCANNER MODULE WITH ANTENNA AND RS232 INTERFACE



### TECHNICAL SPECIFICATIONS

K632 Contactless smartcard interface	
Standards	ISO/IEC 14443 A and B, T=CL ISO/IEC 15693 and 18000-3
RFID carrier	13.56 MHz
Operating distance	typical 5 cm - up to 8cm depending on card and antenna
Card baud rate	106, 212, 424 or 848 kbit/s depending on antenna
Supported cards (partial list) : <ul style="list-style-type: none"> <li>▪ NXP (Philips) ICODE1, ICODE-SLI, etc</li> <li>▪ Texas Instrument TagIT</li> <li>▪ NXP (Philips) MIFARE Classic &amp; UltraLight</li> <li>▪ NXP (Philips) DESFIRE, SmartMX, ProX</li> <li>▪ Infineon SLE66 family</li> <li>▪ ST MicroElectronics SR, SRI, SRIX families</li> <li>▪ HID iClass, Inside PicoTag</li> <li>▪ ASK CTS256/CTS512</li> <li>▪ Calypso (CD97, CD21, GTML, etc)<sup>1</sup></li> </ul> And virtually any ISO/IEC 14443 A or B compliant smartcard, or ISO/IEC 15693 compliant RFID label	

<sup>1</sup> Calypso card operation is subject to an extra license fee. Contact us for information.

Hardware specifications	
Dimensions (LxWxH)	45 x 69 x 15 mm
Weight	≈ 14g
Housing	Metallic bonnets on K531 Ferrite shield on antenna

Environment and safety	
Operating temperature	-20 → +70°C
Storage temperature	-40 → +85°C
MTBF	500 000 hours
CE mark	EN50082 / EN55022 class B <sup>2</sup>
FCC	Part 15
Other standards	RoHS

<sup>2</sup> Safety: EN60950: 2001 ; EN 50364 : 2001, EMC: EN 301 489-03 v1.4.1 ; EN 301 489-01 v1.6.1.

Serial Interface	
RX/TX pins (RS232)	asynchronous serial communication 8 data bits, 1 stop, no flow control 9600, 38400 or 115200bps
Power supply	5 V DC
Consumption	200mA typical
Connector	JST: BM08B-SRSS-TB(LF)(SN) Corresponding female connector ( <i>not provided</i> ) : JST: SHR-08V -S -B

### ORDER CODES

PART #	Description
RDR-K632-232	ISO 14443-A/B and ISO 15693 OEM RFID scanner module with antenna and RS232 interface

Information in this document is subject to change without notice.

Copyright © PRO ACTIVE SAS 2008, all rights reserved.  
Reproduction without written permission of PRO ACTIVE is forbidden.  
SPRINGCARD, PRO ACTIVE, and both logos are registered trademarks of PRO ACTIVE SAS.  
All other trademarks are property of their respective owners.

PRO ACTIVE company with a capital of 227 000 €  
R.C.S. EVRY B 429 665 482  
N.A.F. 722 C  
VAT # : FR 27 429 665 482  
France

[www.springcard.com](http://www.springcard.com)

A PRO ACTIVE BRAND  
**PRO  
Active**