

SPRINGCARD-CF

COMPACT FLASH SMARTCARD & SIM/SAM READER



SpringCard's SpringCard-CF is a compact-Flash smartcard reader suitable for PocketPC PDAs.

SpringCard-CF is the perfect framework to build any Pocket PC application that embeds smartcard technologies.

KEY FEATURES

Directly powered by the Pocket PC, SpringCard-CF is the only smartcard compact-flash reader of the market.

Its design has been established to fit on any pocket PC with standard CF interface.

According to Gemcore chipset, SpringCard-CF is compliant with all microprocessor and memory smartcards.

A FEW TYPICAL APPLICATIONS

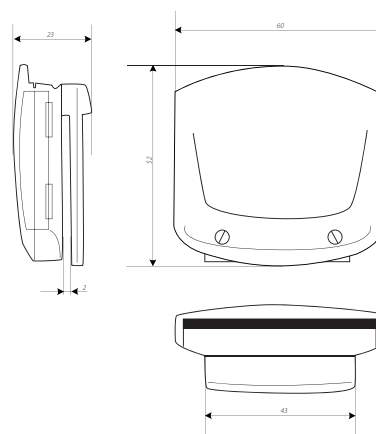
- Hand-terminal for any smartcard system
- Virtual wallet
- Access control tags programming
- Authentication and cryptographic systems

SPRINGCARD & PRO ACTIVE

Established in 2000, Pro Active is an innovative provider of smartcard-related solutions, and one of the leaders on the contactless-reader market.

SpringCard distributes Pro Active's contact and contactless products worldwide, under a single brand name.

MECHANICAL SPECIFICATIONS



HEADQUARTERS, EUROPE SPRINGCARD

13 voie la Cardon
Parc Gutenberg
91120 Palaiseau
FRANCE

Phone : +33 (0) 164 53 20 10
Fax : +33 (0) 164 53 20 18

AMERICAS SPRINGCARD

964 Fifth Avenue
Suite 235
San Diego, CA 92101
USA

Phone : +1 (619) 544 1450
Fax : +1 (619) 573 6867

www.springcard.com

A PRO ACTIVE BRAND
Pro Active

SPRINGCARD-CF COMPACT FLASH SMARTCARD READER



TECHNICAL SPECIFICATIONS

Contact smartcard interface

Card format	ID-1 (full size)
Standards	ISO/IEC 7816, T=0 & T=1
Smartcard power	5V or 3V (class A and AB), max 80mA
Clock frequency	3,6864 or 7,3728 MHz
Card baud rate	Up to 115200 bps
Other features	Card presence detection Short circuit and thermal protection

SIM / SAM interface (SC-CF06 only)

Card format	ID-000 (µSIM)
Standards	ISO/IEC 7816, T=0 & T=1
Smartcard power	5V or 3V (class A and AB)
Clock frequency	3,6864 MHz
Card baud rate	Up to 115200 bps

CompactFlash interface

Standard	SpringProx-CF : CompactFlash type I SpringProx-CFUP : CompactFlash type II
Power supply	Powered by the handheld (3.3V - 5V tolerant) ≈10mA + consumption of the smartcard
Drivers	Seen as a Plug'N'Play serial port Uses standard driver from Windows CE / Mobile
API and SDK	SpringCard API (« PC/SC like ») SpringCard SDK sold separately

Hardware specifications

Housing Material	ABS-PP
Dimensions (LxWxH)	23 /30 x 60 x 52 mm
Weight	≈ 40g
Color	Anthracite grey

Environment and safety

Operating temperature	0 → +45°C
Storage temperature	-40 → +85°C
Durability	50 000 Card insertions 5 000 SIM/SAM insertions
MTBF	500 000 hours
CE mark	EN50082 / EN55022 class B
Other standards	RoHS, FCC pending

ORDER CODES

PART #	Description
SC-CF05	SpringCard-CF basic
SC-CF06	SpringCard-CF with µSIM/SAM slot embedded

PRECAUTIONS FOR INSTALLATION

This device is a contactless reader; it uses inductive coupling (magnetic field) to power the cards and communicate with them. Precaution must be taken to keep the reader far from any source of perturbation (e.g. other readers, computers...). Installing the reader near a metal surface (aluminium or steel plate...) will lead to shorter operating distance and increased power consumption. SpringCard has a long experience installing contactless couplers in various kind of devices. Do not hesitate to contact us if you need any assistance.

Information in this document is subject to change without notice.

Copyright © PRO ACTIVE SAS 2008, all rights reserved.
Reproduction without written permission of PRO ACTIVE is forbidden.
SPRINGCARD, PRO ACTIVE, and both logos are registered trademarks of PRO ACTIVE SAS.
All other trademarks are property of their respective owners.

PRO ACTIVE company with a capital of 227 000 €
R.C.S. EVRY B 429 665 482
N.A.F. 722 C
VAT # : FR 27 429 665 482
France

www.springcard.com

A PRO ACTIVE BRAND
Pro Active