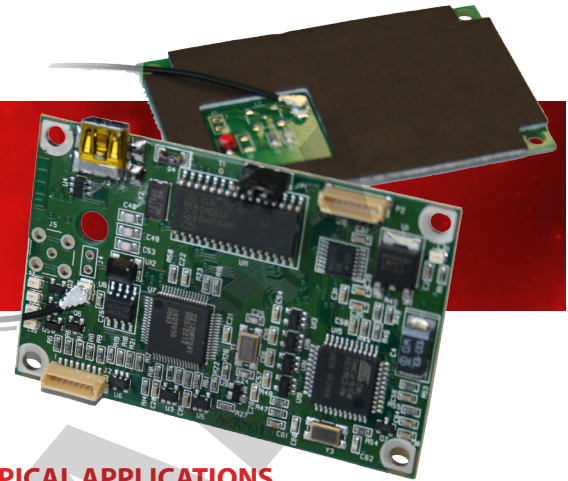


CRAZYWRITER HSP

MULTI-INTERFACE OEM CONTACTLESS COUPLER



AN OEM READER/WRITER

CrazyWriter HSP is an OEM reader/writer module, compliant with RFID tags, contactless smartcards and NFC objects in the 13.56MHz band (ISO 14443 and 15693, Calypso).

Featuring up to 4 SAM slots and 1 optional contact smartcard interface, CrazyWriter HSP is the perfect coupler for card issuing or processing in secure architectures.

A READY-TO-USE INDUSTRIAL SOLUTION

Both modular and scalable, CrazyWriter HSP is designed for industrial applications, where ease of integration, ruggedness and reliability are the keys to success.

CrazyWriter HSP makes no compromise on speed and performances: RFID operating distance up to 10cm, card baud rate up to 848 kbps, USB 2.0 at 12 MBps and fast serial RS232 interface.

PC/SC SMARTCARD READERS

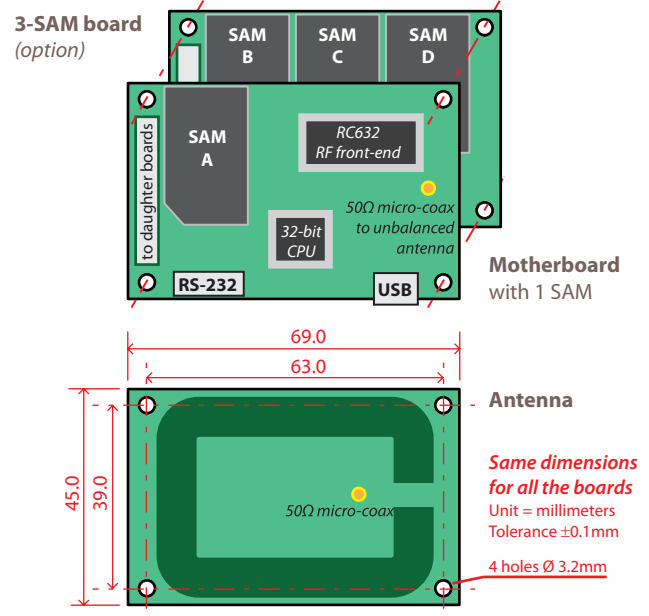
SpringCard CrazyWriter HSP is PC/SC compliant, and brings immediate contactless card support to existing smartcard applications (the whole device is seen as 5 PC/SC reader instances: 1 contactless/RFID, 1 contact, and 4 SIM/SAM).

A FEW TYPICAL APPLICATIONS

- **Transports** : card issuing and reloading, validation and debit (at the gates, in kiosks or ticket-vending machines, in-vehicle - bus, tram, train -),
- **Card personalization**, card printers,
- **E-money**, POS, ATM, NFC transactions,
- **E-gov** : passport or ID-card issuing or checking.

SPRINGCARD

Proudly designed and manufactured in France, SpringCard products are distributed worldwide. With 12 years experience and millions of users, Springcard is your expert in RFID and NFC solutions.



HEADQUARTERS, EUROPE SPRINGCARD

13 voie la Cardon
Parc Gutenberg
91120 Palaiseau
FRANCE

Phone : +33 (0) 164 53 20 10
Fax : +33 (0) 164 53 20 18

AMERICAS SPRINGCARD

6161 El Cajon Blvd,
Suite B, PMB 437,
San Diego, CA 92101
USA

Phone : +1 (713) 261 6746

www.springcard.com

A PRO ACTIVE BRAND

Pro Active

CRAZYWRITER HSP

MULTI-INTERFACE OEM CONTACTLESS COUPLER

TECHNICAL SPECIFICATIONS

Contactless smartcard interface

Standards	ISO/IEC 14443 A and B Proximity Coupling Device T=CL protocol on-board, up to 848 kbps ISO/IEC 15693 Vicinity Coupling Device ISO/IEC 18092 Initiator (passive mode), NFC-DEP protocol on board, up to 424 kbps
RFID carrier	13.56 MHz
Operating distance	typical 5 cm - up to 10cm vary with antenna, environment and card
Card baud rate	106, 212, 424 or 848 kbps (ISO 14443) 26 kbps (ISO 15693)
NFC Forum Tag read/write	<ul style="list-style-type: none"> ▪ Type 1 : Innovision Jewel/Topaz ▪ Type 2 : NXP Mifare UltraLight, NTAG 203... ▪ Type 3 : Sony Felica Lite ▪ Type 4 : any T=CL smartcard
Supported contactless smartcards (partial list)	<ul style="list-style-type: none"> ▪ NXP Mifare Classic, Desfire, SmartMX... ▪ Calypso (including Innovatron radio protocol « 14443-B' ») ▪ Infineon SLE66, ST Micro Electronics ST19, Atmel AT88, ▪ ST Micro Electronics SR179 and SriX, ASK CTS256B and CTS512B contactless disposable tickets ▪ NFC objects or mobile phones running in card emulation mode
Supported RFID tags and labels (partial list)	<ul style="list-style-type: none"> ▪ NXP ICODE-SLI, ▪ Texas Instrument TagIT ▪ ST Micro Electronics LRI and MLR

Environment and safety

Temperature	Operation: -20 / +70°C Storage: -40 / +85°C
Durability	500 000 smart card insertions 5 000 SIM/SAM insertions
MTBF	500 000 hours
CE mark	EN50082 / EN55022 class B
Other standards	RoHS, FCC pending

SIM / SAM interface

1 ID-000 mini SIM/SAM slot integrated on main board	
Standards	ISO 7816 (3 and 4) Supporting both T=0 and T=1 protocols and Calypso HSP
Smartcard class	5V, 3V or 1.8V cards supported (classes A, AB, ABC)
Clock frequency	4MHz
Card baud rate	Up to 115200 bps

Smartcard + 3 SIM / SAM interfaces (option)

3 ID-000 mini SIM/SAM slots	
Standards	ISO 7816 Supporting both T=0 and T=1 protocols and Calypso HSP
Card baud rate	Up to 115200 bps

Hardware specifications

Dimensions (LxWxH)	Each board = 69 x 45 x 1,6 mm
Max. distance antenna to mother	2-wire twisted cable = 5 cm 50 Ω coaxial cable = 2 m

ORDER CODES

PART #	Description
SC0168	CrazyWriter HSP mother board + 69x45 mm antenna <i>50cm micro-coax cable included, USB cable not provided</i>
SC0169	3 SAM expansion board <i>to be plugged on mother board</i>
SC0170	Smartcard expansion board <i>50cm 14-pin ribbon cable included</i>
CWRS	Serial expansion board (with DB9 and power jack 9-24V DC) <i>25cm 8-pin connexion cable included</i>

PRECAUTIONS FOR INSTALLATION

Those devices use inductive coupling (magnetic field) to power the cards and communicate with them. Precaution must be taken to keep them far from any source of perturbation (e.g. other readers, computers...). Installing the device near a metal surface will decrease the operating distance and increase power consumption. Please contact us if you need any assistance to integrate those devices. CrazyWriter HSP can be used with customization options and various accessories to address any specific requirements. Please contact Springcard if you need details, advices or custom design.

Information in this document is subject to change without notice.

Copyright © PRO ACTIVE SAS 2010-2012, all rights reserved.
 Reproduction without written permission of PRO ACTIVE is forbidden.
 SPRINGCARD, PRO ACTIVE, and both logos are registered trademarks of PRO ACTIVE SAS.
 All other trademarks are property of their respective owners.

PRO ACTIVE company with a capital of 227 000 €
 R.C.S. EVRY B 429 665 482
 N.A.F. 722 C
 VAT # : FR 27 429 665 482
 France

www.springcard.com

A PRO ACTIVE BRAND

**PRO
Active**