



## **SPRINGCARD K531 AND K632**

---

# **Hardware and integration manual**

### *Headquarters, Europe*

**SpringCard**  
13 voie la Cardon  
Parc Gutenberg  
91120 Palaiseau  
FRANCE

Phone : +33 (0) 1 64 53 20 10  
Fax : +33 (0) 1 64 53 20 18

### *Americas*

**SpringCard**  
694 Fifth Avenue  
Suite 235  
San Diego, CA 92101  
USA

Phone : +1 (619) 544 1450  
Fax : +1 (619) 573 6867

[www.springcard.com](http://www.springcard.com)

## DOCUMENT INFORMATION

Category : Hardware manual  
Group : K531/K632  
Reference : PNAE010  
Version : CA  
Status : draft

Keywords :  
K531, K632, antenna design

Abstract :

[pnae010-ca] k531 and k632 hardware manual.doc  
saved 23/06/10 - printed 23/06/10

## REVISION HISTORY

Ver.	Date	Author	Valid. by Tech.	Qual.	Approv. by	Remarks :
<b>AA</b>	22/04/04	LBE				Initial release – Title is "antenna design"
<b>BA</b>	28/04/09	LSU				New SpringCard layout
<b>CA</b>	22/06/10	JDA				Title changed

## TABLE OF CONTENT

1.	INTRODUCTION.....	5
1.1.	ABSTRACT.....	5
1.2.	IMPORTANT – READ ME FIRST.....	5
1.3.	SUPPORTED PRODUCTS.....	5
1.4.	AUDIENCE.....	5
1.5.	SUPPORT AND UPDATES.....	5
2.	HARDWARE AND PINOUT.....	6
2.1.	DIMENSIONS.....	6
2.2.	PINOUT.....	6
2.3.	DETAILS AND PRECAUTIONS.....	7
3.	ELECTRICAL CHARACTERISTICS.....	8
4.	INTEGRATION GUIDE.....	9
4.1.	VCC AND GND.....	9
4.2.	ADDING A RS-232 LINE DRIVER.....	9
4.3.	DRIVING LEDs.....	10
4.4.	RESET.....	10
4.5.	HARD-POWER DOWN.....	10
4.6.	FIRMWARE UPGRADE.....	11
5.	ANTENNA.....	12
5.1.	ANTENNA MATCHING CIRCUIT.....	12
5.2.	DESIGNING YOUR OWN ANTENNA.....	12
5.3.	TYPICAL ANTENNA SHAPES.....	13



## 1. INTRODUCTION

---

### 1.1. ABSTRACT

SpringCard **K531** and **K632** are OEM contactless couplers, ideal to bring support for RFID tags or contactless smartcard to any industrial or embedded system.

This document provides all necessary information to integrate K531 or K632 in your design.

### 1.2. IMPORTANT – READ ME FIRST

**Both K531 and K632 need an external antenna to operate.**

The antenna has to be designed carefully, depending on your own specifications (size constraints, expected operating distance) but with limited flexibility due to the requirements of the ISO standards and the EMC regulations.

**SpringCard has a strong experience in antenna design.** Don't hesitate to contact us for consultancy.

We also offer ready-to-use OEM couplers, featuring K531 or K632 mounted on an antenna (K531-TTL, K632-TTL, K531-232, K632-232, K531-485 and K632-485). Visit our website for detailed information.

### 1.3. SUPPORTED PRODUCTS

At the date of writing, this document refers to:

- SpringCard K531,
- SpringCard K632.

Please refer to the product leaflets for a detailed list of features.

### 1.4. AUDIENCE

This manual is designed for use by electronic hardware integrators. It assumes that the reader has expert knowledge of digital electronics.

### 1.5. SUPPORT AND UPDATES

Interesting related materials (product datasheets, application notes, sample software, HOWTOs and FAQs...) are available at SpringCard's web site:

[www.springcard.com](http://www.springcard.com)

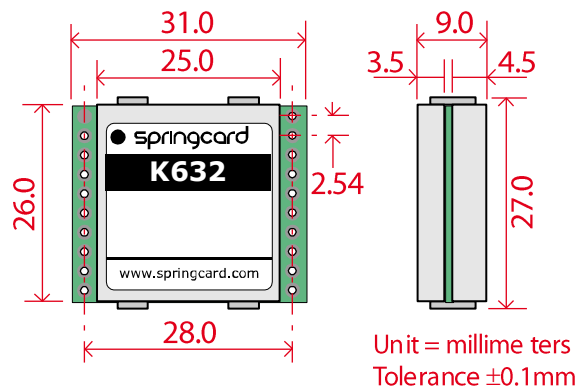
Updated versions of this document and others will be posted on this web site as soon as they are made available.

For technical support enquiries, please refer to SpringCard support page, on the web at address [www.springcard.com/support](http://www.springcard.com/support) .

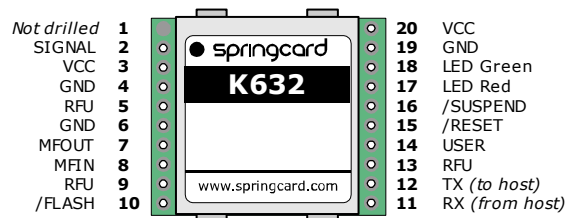
## 2. HARDWARE AND PINOUT

**K531** and **K632** share the same external dimensions and pinout.

### 2.1. DIMENSIONS



### 2.2. PINOUT



**Table 1: pinout details**

PIN	NAME	Type	Description	Remark
1				<i>Hole not drilled Do not connect</i>
2	SIGNAL	Analog	50 $\Omega$ unbalanced antenna	
3	VCC	Power	Power supply – 5V DC	
4	GND	Ground	Ground	
5	RFU			<i>unconnected</i>
6	GND	Ground	Ground	
7	MFOUT	OUT	MFOUT pin of RC chipset	<i>unconnected if not used</i>
8	MFIN	IN	MFIN pin of RC chipset	<i>unconnected if not used</i>
9	RFU			<i>not connected</i>
10	/FLASH	IN	<i>Firmware upgrade (active low)</i>	internal pull-up unconnected if not used
11	RX	IN	<i>Serial port – host to module</i>	<b>External pull-up required</b>
12	TX	OUT	<i>Serial port – module to host</i>	
13	RFU			<i>not connected</i>
14	USER	IN/OUT	<i>USER I/O</i>	
15	/RESET	IN	<i>Reset (active low)</i>	internal pull-up unconnected if not used
16	/SUSPEND	IN	<i>Hard power-down (active low)</i>	internal pull-up unconnected if not used
17	LED Red	OUT	<i>Red LED output</i>	unconnected if not used
18	LED Green	OUT	<i>Green LED output</i>	unconnected if not used
19	GND	Ground	<i>Ground</i>	
20	VCC	Power	Power supply – 5V DC	

### 2.3. DETAILS AND PRECAUTIONS

- **Digital input pins** (/FLASH, RX, USER when configured as input, /RESET and /SUSPEND) are TTL inputs (0-5V). They are CMOS-tolerant (0-3V).
- **Digital output pins** (TX, USER when configured as output, LED Red and LED Green) are TTL outputs (0-5V). They could drive CMOS logic as well.
- Do not connect the LED pins directly to the LEDs. Use appropriate power buffer (§ 4.3).
- Do not connect the RX/TX pins directly to an RS-232 interface. Use appropriate line buffers (§ 4.2).
- Default baudrate is 38400bps and could be switched to 115200bps by software.

### 3. ELECTRICAL CHARACTERISTICS

**Table 2: Operating conditions**

SYMBOL	Parameter	Condition	Min	Typ	Max	Unit
VCC	Supply voltage		4.5	5.0	5.5	V
ICC	Power supply current	Hard power down			6	mA
		RF field OFF		30	35	
		RF field ON <sup>1</sup>		150	250	

**Table 3: I/Os characteristics**

SYMBOL	Parameter	Condition	Min	Typ	Max	Unit
V <sub>OH</sub>	Output "High" voltage (TX, LED Red, LED Green, USER configured as output)	I <sub>OH</sub> = -1mA	VCC -0.6		VCC	V
V <sub>OL</sub>	Output "Low" voltage (TX, LED Red, LED Green, USER configured as output)	I <sub>OL</sub> = 1mA			0.6	V
I <sub>IH</sub>	Input "High" current (RX, /SUSPEND, USER configured as input)	V <sub>I</sub> = 3V			4	μA
I <sub>IL</sub>	Input "Low" current (RX, /SUSPEND, USER configured as input)	V <sub>I</sub> = 0V			-4	μA

**Table 4: Limiting values**

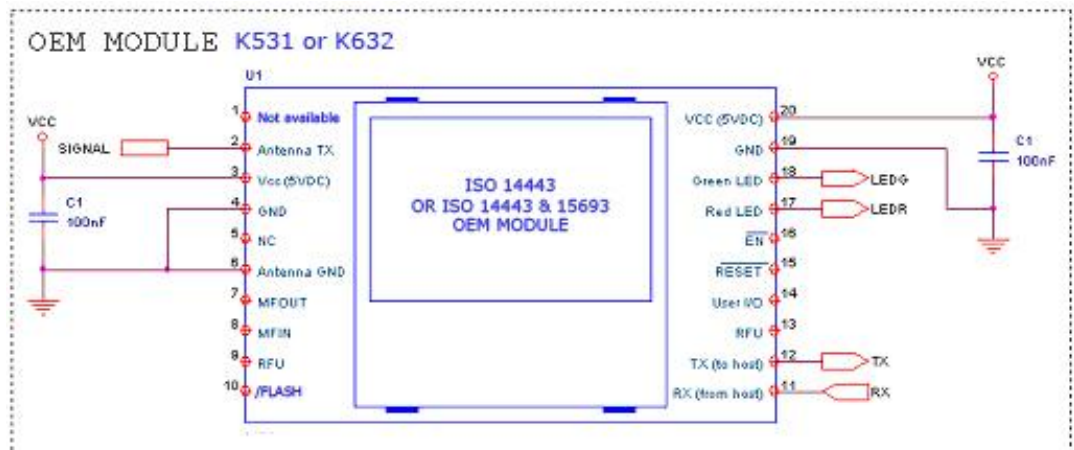
SYMBOL	Parameter	Limits	Unit
VCC	Supply voltage	-0.3 to 6.0	V
T <sub>OPERATION</sub>	Operating temperature	-20 to +70	°C
T <sub>STORAGE</sub>	Storage temperature	-40 to +85	°C
I <sub>OH(PEAK)</sub>	Peak output "High" current (TX, LED Red, LED Green, USER configured as output)	-10	mA
I <sub>OH(AVG)</sub>	Average output "High" current (TX, LED Red, LED Green, USER configured as output)	-5	mA
I <sub>IOL(PEAK)</sub>	Peak output "Low" current (TX, LED Red, LED Green, USER configured as output)	10	mA
I <sub>IOL(AVG)</sub>	Average output "Low" current (TX, LED Red, LED Green, USER configured as output)	5	mA

<sup>1</sup> The antenna has a strong impact on the current consumed by the module. Typical value is observed with SpringCard's 69x45mm antenna correctly tuned.



## 4. INTEGRATION GUIDE

### 4.1. VCC AND GND

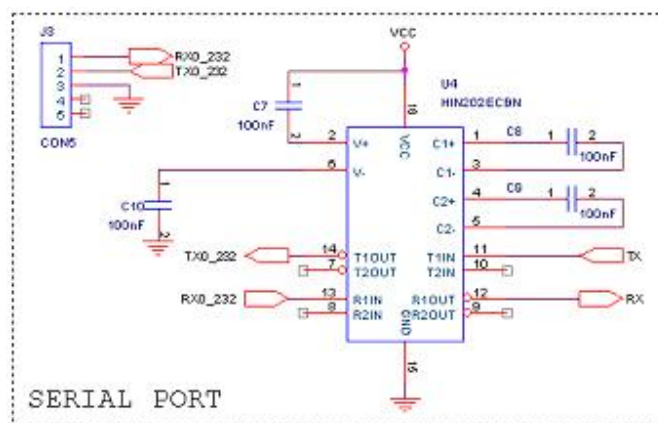


- Decoupling capacitors shall be placed as close as possible to pins 3,4,6 and, 20,19 respectively.
- Unused pins shall be left unconnected.

### 4.2. ADDING A RS-232 LINE DRIVER

K531 and K632's RX and TX pins provide a serial interface at TTL level (CMOS tolerant). To connect to a standard RS-232 interface (i.e. the comm. port of a PC), a line driver has to be added.

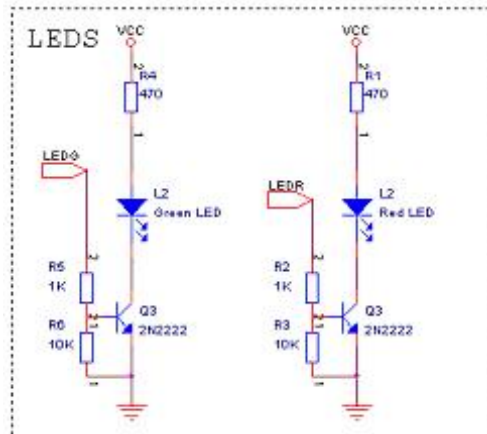
Adapt this example to the line driver component you've chosen.



### 4.3. DRIVING LEDs

K531 and K632 feature 2 LED outputs, named Red and Green. Optionally the USER pin may be used as 3<sup>rd</sup> LED output (Yellow or Blue for instance).

Use bipolar transistors to drive the LEDs, as follow:



### 4.4. RESET

When /RESET is set LOW, the module's CPU stops. When /RESET is set HIGH again, firmware execution restarts.

Note that the /RESET pin has no effect on the RF front-end (NXP RC531 or RC632). If the RF field was ON before reset, it remains ON until the firmware instructs it to go OFF, or the module is powered down.

Depending on the firmware release, the module takes 10 to 50ms to be ready after a reset.

The module is ready as soon as it sends its identifier (either "K531" or "K632" on the serial line).

### 4.5. HARD-POWER DOWN

When /SUSPEND state is set LOW, the module stops its RF field, deactivate its RF front-end (NXP RC531 or RC632), and stops its clock to limit power consumption to its minimum.

When /SUSPEND state is set HIGH again, firmware execution resumes after 1 to 10ms.

**NB:** this feature is implemented only in firmware version  $\geq 1.54$ .

## 4.6. FIRMWARE UPGRADE

Hold to /FLASH pin to LOW level and RESET the module to enter FIRMWARE UPGRADE mode.

The FIRMWARE UPGRADE is made through the serial line, using to the CPU's integrated bootloader. To flash the module, use RENESAS FLASH DEVELOPMENT TOOLKIT (FDT) version  $\geq 4.04$ .

- **K531:** CPU is Renesas R8C/25 with a 32kB flash. Configure your FDT project to use **R5F21256** kernel.
- **K632:** CPU is Renesas R8C/25 with a 64kB flash. Configure your FDT project to use **R5F21258** kernel.

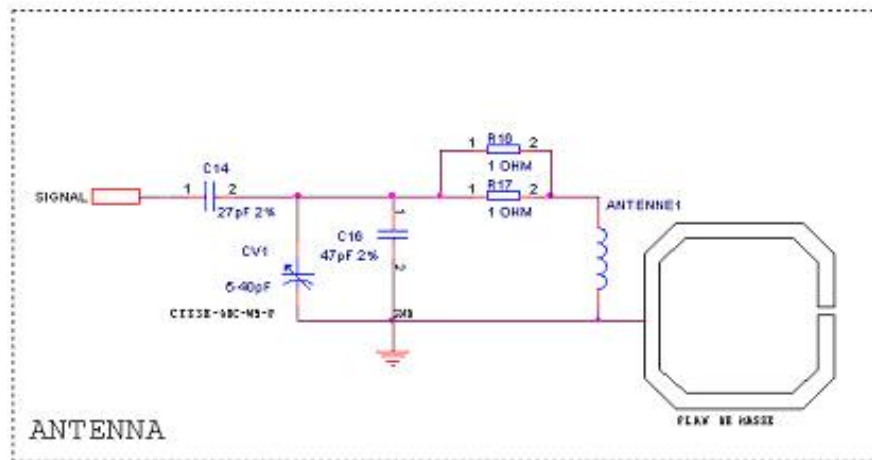
**NB:** it is not recommended to upgrade the firmware while the RF field is switched ON. Before entering FIRMWARE UPGRADE mode, please either invoke firmware's SET RF FIELD OFF command or set the /SUSPEND pin LOW.

## 5. ANTENNA

### 5.1. ANTENNA MATCHING CIRCUIT

The K531 and K632's RF stage is designed to drive directly an unbalanced antenna.

The RF stage has a  $50\Omega$  matching circuit. Therefore, the antenna must be matched to  $50\Omega$  too. Here's the typical antenna matching circuit:



- Adjustable capacitor CV1 is recommended to adapt the antenna's tuning to the actual characteristics of the PCB, and to the environment.

### 5.2. DESIGNING YOUR OWN ANTENNA

NXP (formerly Philips Semiconductors), the manufacturer of the chipsets used in K531 and K632, has written application notes on the subject.

It would be useless to rewrite those documents that are complete, comprehensive, and available freely.

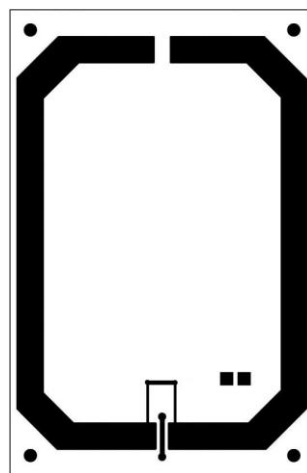
- NXP AN 077925 : Directly matched antenna design  
[http://www.nxp.com/documents/application\\_note/077925.pdf](http://www.nxp.com/documents/application_note/077925.pdf)
- NXP AN 78010 : 13.56MHz RFID proximity antennas  
[http://www.nxp.com/documents/application\\_note/78010.pdf](http://www.nxp.com/documents/application_note/78010.pdf)

### 5.3. TYPICAL ANTENNA SHAPES

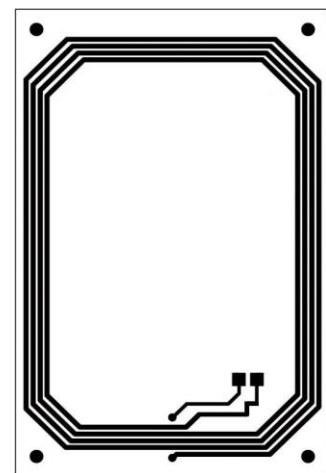
The antennas depicted here are used in SpringCard's products. Don't hesitate to ask us for schematics and PCB files if you intend to copy them into your own design.

#### 5.3.1. Example 1: 69 x 45mm PCB

This is the antenna designed for our "OEM modules with antenna" family (K531-TTL, K632-TTL, K531-232, K632-232, K531-485 and K632-485). It is also CrazyWriter's default antenna.



Front

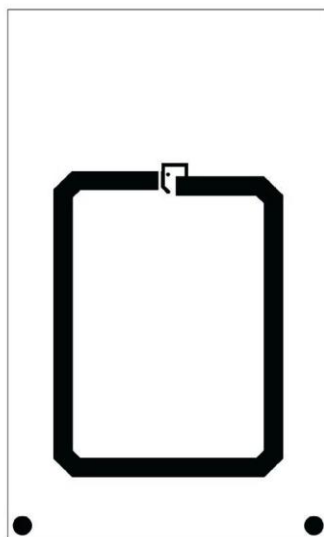


Back

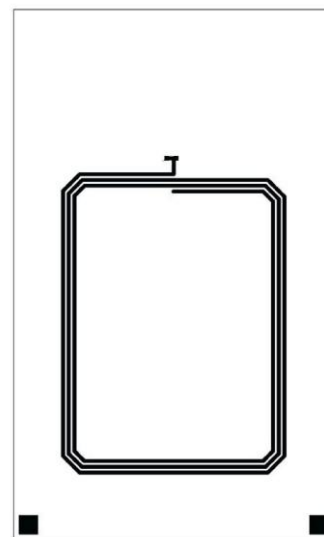
**NB:** PCB thickness = 1.6mm

### 5.3.2. Example 2: 139 x 84mm PCB

This is the antenna designed for the CSB4 family.



*Front*



*Back*

**NB:** PCB thickness = 1.6mm



## DISCLAIMER

This document is provided for informational purposes only and shall not be construed as a commercial offer, a license, an advisory, fiduciary or professional relationship between PRO ACTIVE and you. No information provided in this document shall be considered a substitute for your independent investigation.

The information provided in this document may be related to products or services that are not available in your country.

This document is provided "as is" and without warranty of any kind to the extent allowed by the applicable law. While PRO ACTIVE will use reasonable efforts to provide reliable information, we don't warrant that this document is free of inaccuracies, errors and/or omissions, or that its content is appropriate for your particular use or up to date. PRO ACTIVE reserves the right to change the information at any time without notice.

PRO ACTIVE does not warrant any results derived from the use of the products described in this document. PRO ACTIVE will not be liable for any indirect, consequential or incidental damages, including but not limited to lost profits or revenues, business interruption, loss of data arising out of or in connection with the use, inability to use or reliance on any product (either hardware or software) described in this document.

These products are not designed for use in life support appliances, devices, or systems where malfunction of these products may result in personal injury. PRO ACTIVE customers using or selling these products for use in such applications do so on their own risk and agree to fully indemnify PRO ACTIVE for any damages resulting from such improper use or sale.

## COPYRIGHT NOTICE

All information in this document is either public information or is the intellectual property of PRO ACTIVE and/or its suppliers or partners.

You are free to view and print this document for your own use only. Those rights granted to you constitute a license and not a transfer of title: you may not remove this copyright notice nor the proprietary notices contained in this document, and you are not allowed to publish or reproduce this document, either on the web or by any mean, without written permission of PRO ACTIVE.

Copyright © PRO ACTIVE SAS 2010, all rights reserved.

## EDITOR'S INFORMATION

**PRO ACTIVE SAS** company with a capital of 227 000 €  
RCS EVRY B 429 665 482  
Parc Gutenberg, 13 voie La Cardon  
91120 Palaiseau – France