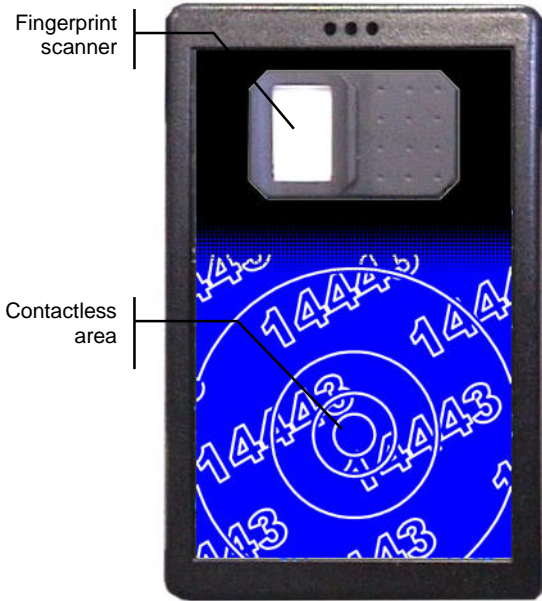
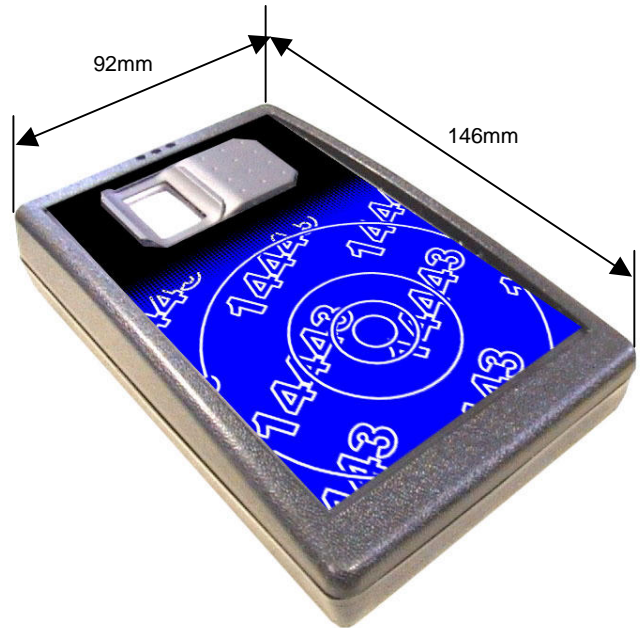


PRODUCT VIEWS

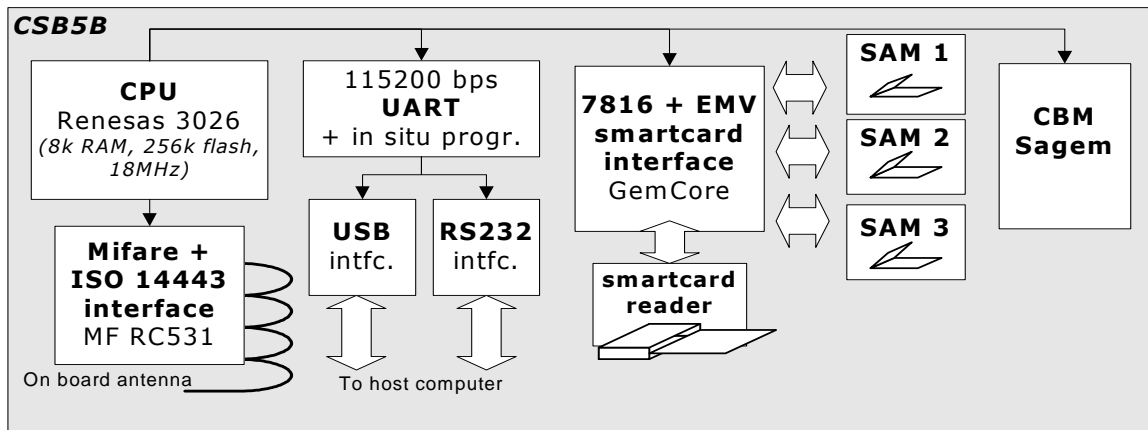


FACE VIEW



PERSPECTIVE VIEW

BLOCK DIAGRAM



TECHNICAL DATA

DescriptionISO14443-A/B Desktop Mifare reader with SAGEM Fingerprint Scanner Module.

Power supply
CSB-5BS.....12V DC, 300mA.
CSB-5BU.....Powered by USB

Dimensions.....L :146mm, l : 92mm, h : 22mm

Communications with host.....38400 or 115200 bps
CSB-5SRS232 (DB9)
CSB-5U.....USB 1.1

Temperature range.....0 to 45°C

Weight.....290g

Conformity CE : EN50082/EN55022 class B

Material ABS-94HB
Self-extinction UL94
Color Black

Information in this document is subject to change without notice. No part of this document may be reproduced or transmitted in any form or by any means, electronic or mechanical, for any purpose, without the express written permission of PRO ACTIVE. PRO ACTIVE and the PRO ACTIVE logo are registered trademarks of PRO ACTIVE S.A.R.L. MIFARE and Philips are registered trademarks of Philips.

DATASHEET



PRO ACTIVE
PARC GUTENBERG
13 VOIE LA CARDON
F-91120 PALAISEAU
France

Phone. : +33 164 532 010
Fax : +33 164 532 018
mail : info@pro-active.fr
web : www.pro-active.fr

S.A.S. with a capital of 227 000 €
R.C.S. EVRY B 429 665 482
A.P.E. 722 C
VAT #. FR27 429 665 482 00015

CSB-5B

pftd430-ac.doc
04/01/2008
Version : AC

Contactless interface

ISO compliance.....14443 A & B layers 1-2-3-4
Other standards.....Mifare®, Desfire®, T=CL...
Transmission speed106, 212 and 424 kbps
Operating distanceUp to 8cm (depends on the card)

SAM slots.....2 slots

ISO compliance.....7816 layers 1-2-3-4, T=0 and T=1
Card power supply3V
Transmission speedUp to 115 kbps

Smartcard reader

ISO compliance.....7816 layers 1-2-3-4, T=0 and T=1
Card power supply3V or 5V
Transmission speedUp to 115 kbps

Information in this document is subject to change without notice. No part of this document may be reproduced or transmitted in any form or by any means, electronic or mechanical, for any purpose, without the express written permission of PRO ACTIVE. PRO ACTIVE and the PRO ACTIVE logo are registered trademarks of PRO ACTIVE S.A.R.L. MIFARE and Philips are registered trademarks of Philips.

DATASHEET



PRO ACTIVE
PARC GUTENBERG
13 VOIE LA CARDON
F-91120 PALAISEAU
France

Phone. : +33 164 532 010
Fax : +33 164 532 018
mail : info@pro-active.fr
web : www.pro-active.fr

S.A.S. with a capital of 227 000 €
R.C.S. EVRY B 429 665 482
A.P.E. 722 C
VAT #. FR27 429 665 482 00015