

ISO/IEC 14443 CONTACTLESS READER/WRITER [USB]

CSB-4U is a versatile contactless coupler ; it reads and writes Philips MIFARE and DESFire leading products as well as any T=CL compliant card or RFID tag from any other manufacturer.

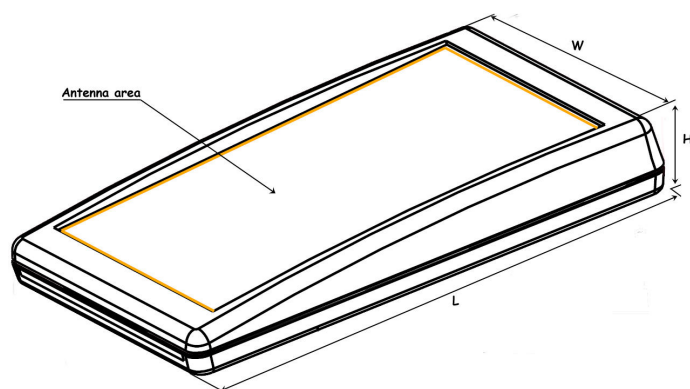
CSB-4U is self-powered by computer's USB port. Its robust "PC bone" encasing makes it perfect for any desktop or indoor application.

CSB-4U comes with USB drivers and sample applications for Windows. SpringProx API -available through SDK- makes it easy to develop PC based applications using ISO/IEC 14443 proximity smartcards.

SPECIFICATIONS

ISO compliance	ISO/IEC 14443-A/B 1, 2, 3 & 4	USB connection	1,80m cable USB 1.1 - 115200 bps communication
RFID operating frequency	13.56 MHz	USB drivers	Provided by FDTI for Windows 2000/XP Seen as a virtual serial port under Linux
Card operating distance	5cm typ., min 0cm, max 8cm <i>depending on card characteristics.</i>	Included software (Windows binaries)	ISO/IEC 14443-3 poller MIFARE Classic read/write utility
PCD ↔ PICC baudrate	106, 212 or 424 kbps	Power supply Consumption	5 V DC provided by USB 120mA typical
LED	3 LEDs (red / yellow / green) under control of host application	Housing Color	ABS-94HB (self extinguishing UL94) PC Bone
Supported cards	Philips MIFARE Classic & UltraLight Philips DESFIRE Philips SmartMX, ProX Infineon SLE66 ... STMicroelectronics ST19 ... Other cards : contact us (Calypso ¹ , Jewel, SR176...)	Temperature range	0°C → +45°C
		Dimensions L x W x H	146 x 93 x 22 (mm)
		Weight	250g
		CE mark	EN50082 / EN55022 class B

¹ Calypso card support is subject to extra license fees

DETAILED VIEW**ORDER CODES**

CSB4.3U	CSB4 desktop contactless reader/writer [USB]
SDK-CSB4U	CSB & SpringProx developer's kit for Windows [USB]

INSTALLATION PRECAUTIONS

This device is a contactless reader ; it uses inductive coupling (magnetic field) for card reading. Precaution must be taken to keep the reader free from any source of perturbation (e.g. other readers, computers...). Installing the reader on a metal surface (aluminium or steel table ...) will lead to shorter operating distance and increased power consumption.

Information in this document is subject to change without notice. Reproduction without written permission of PRO ACTIVE is forbidden. PRO ACTIVE and the PRO ACTIVE logo are registered trademarks of PRO ACTIVE SAS. All other trademarks are property of their respective owners.

TECHNICAL DATASHEET

Page 1/1



Pro Active
Parc Gutenberg
13 voie La Cardon
91120 Palaiseau
France

Phone : +33 1 64 53 20 10
Fax : +33 1 64 53 20 18
e-mail : info@pro-active.fr
website : www.pro-active.fr

S.A.S. capital of 227 000 €
R.C.S. EVRY B 429 665 482
A.P.E. 722 C
VAT # : FR 27 429 665 482 00015